



**T&S BRASS AND BRONZE WORKS, INC.**  
 2 Saddleback Cove / P.O. Box 1088  
 Travelers Rest, SC 29690



Model No.  
**B-0108-C**

Item No.

Travelers Rest, SC: 800-476-4136 | San Jose, CA: 800-423-0150 | Fax: 864-834-3518 | www.tsbrass.com

This Space for Architect/Engineer Approval

Job Name \_\_\_\_\_ Date \_\_\_\_\_

Model Specified \_\_\_\_\_ Quantity \_\_\_\_\_

Customer/Wholesaler \_\_\_\_\_

Contractor \_\_\_\_\_

Architect/Engineer \_\_\_\_\_

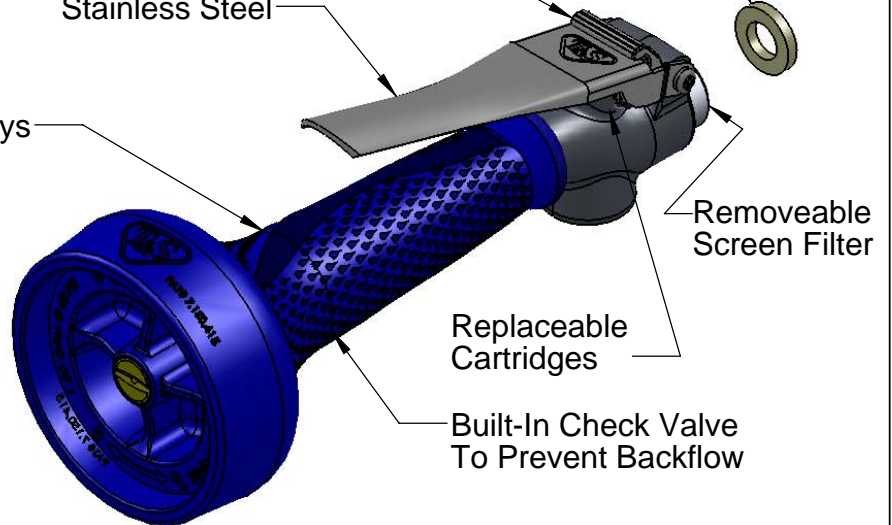
**EPAct2005 COMPLIANT**

Non-Slip Ergonomic Santoprene  
 Grip w/ Built-in Heat Dissipation  
 Channels  
 Crush-Resistant w/ Delrin Waterways

Extra Washer For Hose Connections

One-Handed Metal Trigger  
 Lock w/ Added Anti-  
 Rotational Feature

Surgical-Grade Polished  
 Stainless Steel

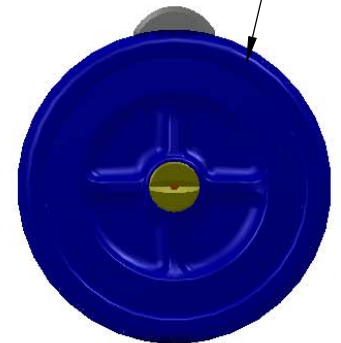
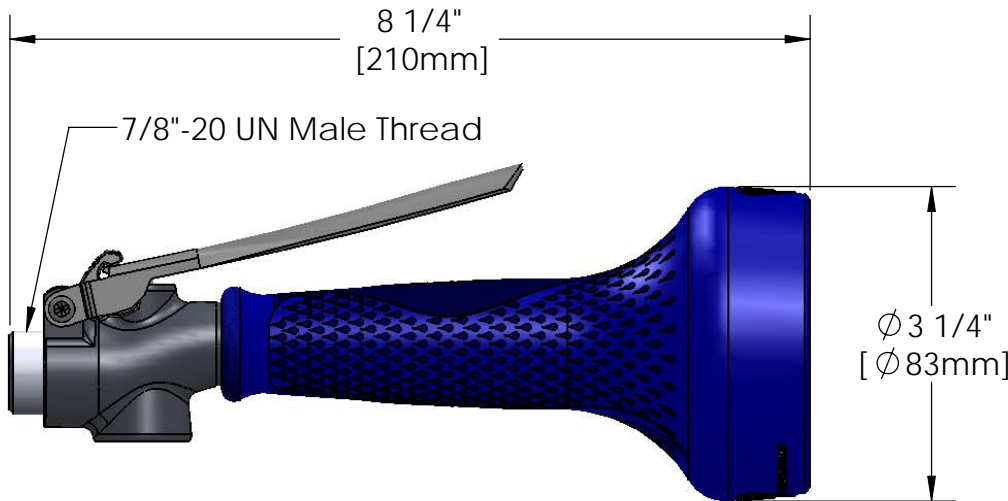


Removeable  
 Screen Filter

Replaceable  
 Cartridges

Built-In Check Valve  
 To Prevent Backflow

1.20 GPM @ 60 PSI  
 Optional B-0108  
 1.48 GPM Available



Product Specifications:  
**1.20 GPM Spray Valve w/ Ergo-Grip,  
 Replaceable Spray Face, &  
 Integrated One-Handed Trigger Lock**

Drawn <b>KJG</b>	Checked <b>DHL</b>	Approved <b>JHB</b>
Scale: <b>1:2</b>		Date: <b>01/08/09</b>



# T&S BRASS AND BRONZE WORKS, INC.

2 Saddleback Cove / P.O. Box 1088  
Travelers Rest, SC 29690



REG. #A2601  
ISO #9001

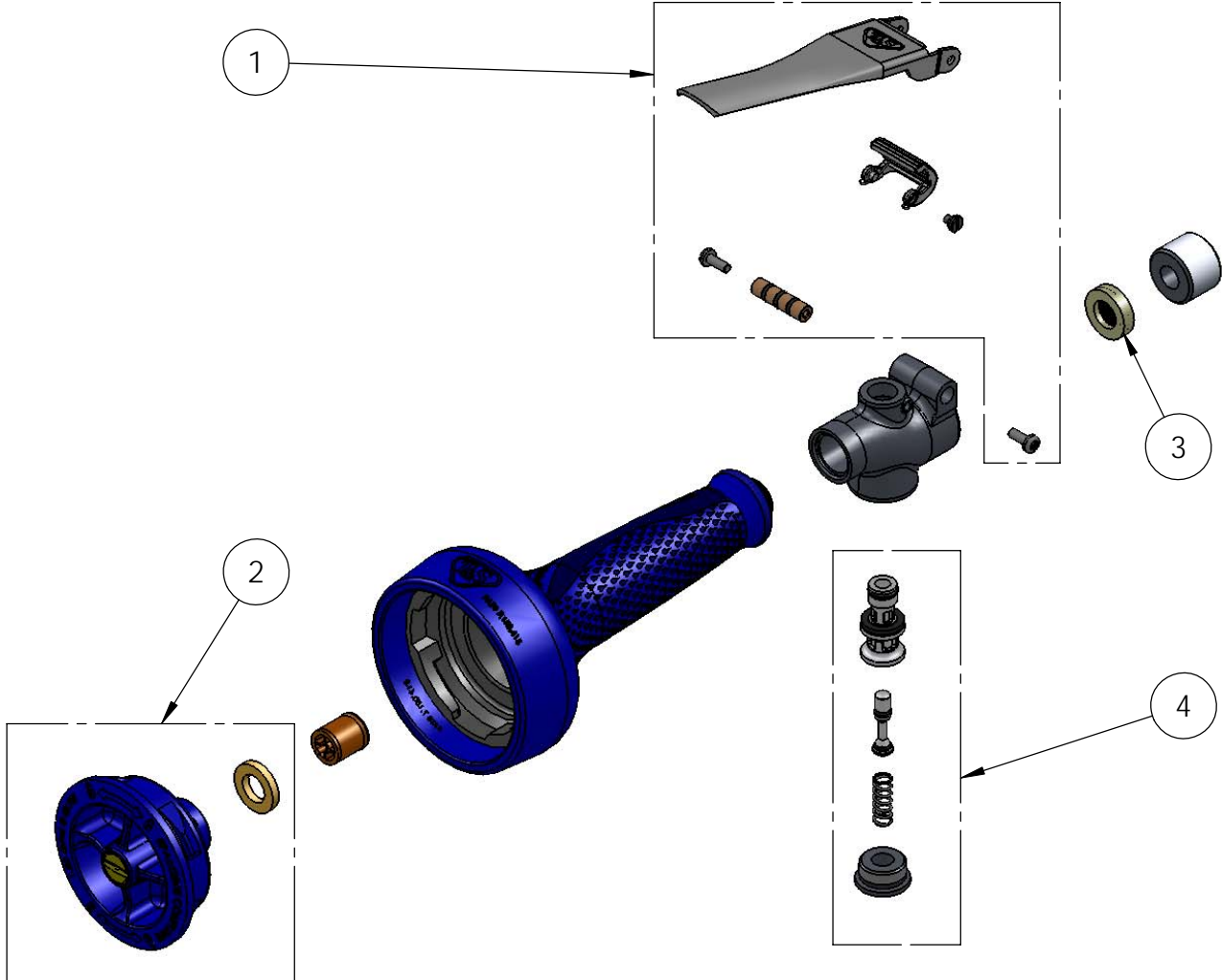
Model No.

**B-0108-C**

Item No.

Simi Valley, CA: 800-423-0150 Fax: 864-834-3518 www.tsbrass.com

ITEM NO.	SALES NO.	DESCRIPTION
1	108T-RK	Trigger Repair Kit
2	108CSF-RK	Spray Face Repair Kit
3	108S-RK	Inlet Screen/Washer Repair Kit
4	108V-RK	Valve Repair Kit



Note:  
Individual Items in Repair Kits  
are not Sold Separately

Product Specifications:  
**1.20 GPM Spray Valve w/ Ergo-Grip,  
Replaceable Spray Face, &  
Integrated One-Handed Trigger Lock**

Drawn <b>KJG</b>	Checked <b>DHL</b>	Approved <b>JHB</b>
Scale: <b>NTS</b>		Date: <b>01/08/09</b>