



**T&S BRASS AND BRONZE WORKS, INC.**  
 2 Saddleback Cove / P.O. Box 1088  
 Travelers Rest, SC 29690



REG. #A2601  
 ISO #9001

Model No.  
**B-0108**

Item No.

Travelers Rest, SC: 800-476-4136 | San Jose, CA: 800-423-0150 | Fax: 864-834-3518 | www.tsbrass.com

This Space for Architect/Engineer Approval

Job Name \_\_\_\_\_ Date \_\_\_\_\_

Model Specified \_\_\_\_\_ Quantity \_\_\_\_\_

Customer/Wholesaler \_\_\_\_\_

Contractor \_\_\_\_\_

Architect/Engineer \_\_\_\_\_

**EPA Act 2005 COMPLIANT**

Non-Slip Ergonomic Santoprene Grip w/ Built-in Heat Dissipation Channels  
 Crush-Resistant w/ Delrin Waterways

Extra Washer For Hose Connections

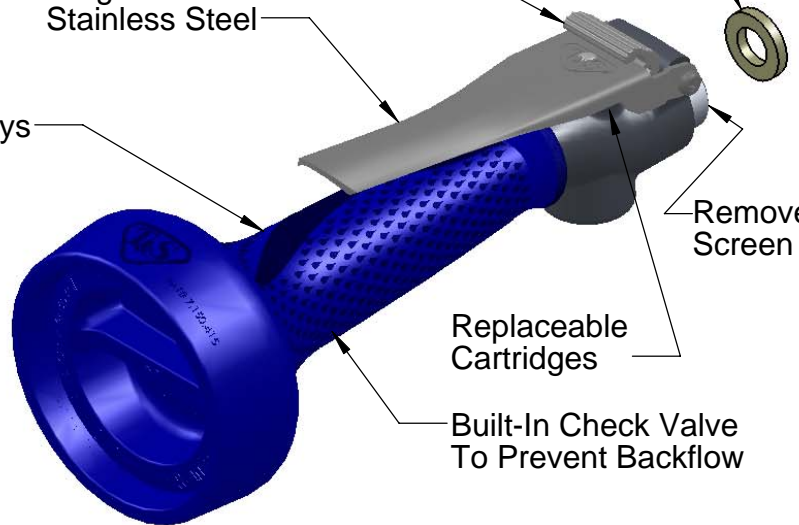
One-Handed Metal Trigger Lock w/ Added Anti-Rotational Feature

Surgical-Grade Polished Stainless Steel

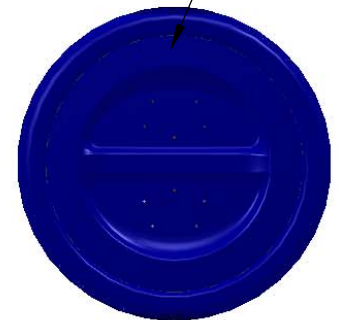
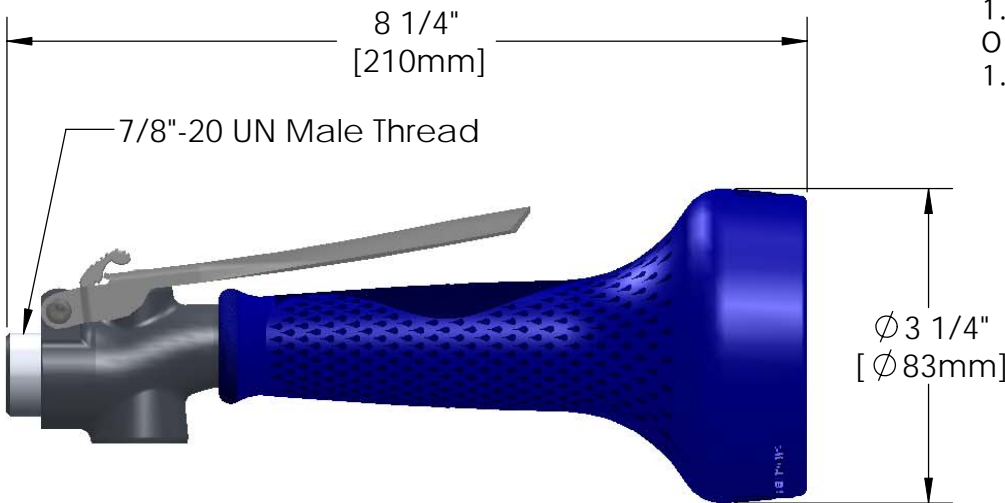
Removeable Screen Filter

Replaceable Cartridges

Built-In Check Valve To Prevent Backflow



1.48 GPM @ 60 PSI  
 Optional B-0108-C  
 1.2 GPM Available



Product Specifications:  
**1.48 GPM Spray Valve w/ Ergo-Grip, Replaceable Spray Face, & Integrated One-Handed Trigger Lock**

|                      |                       |                          |
|----------------------|-----------------------|--------------------------|
| Drawn<br><b>KJG</b>  | Checked<br><b>DHL</b> | Approved<br><b>JHB</b>   |
| Scale:<br><b>1:2</b> |                       | Date:<br><b>01/08/09</b> |



**T&S BRASS AND BRONZE WORKS, INC.**

2 Saddleback Cove / P.O. Box 1088  
Travelers Rest, SC 29690



REG. #A2601  
ISO #9001

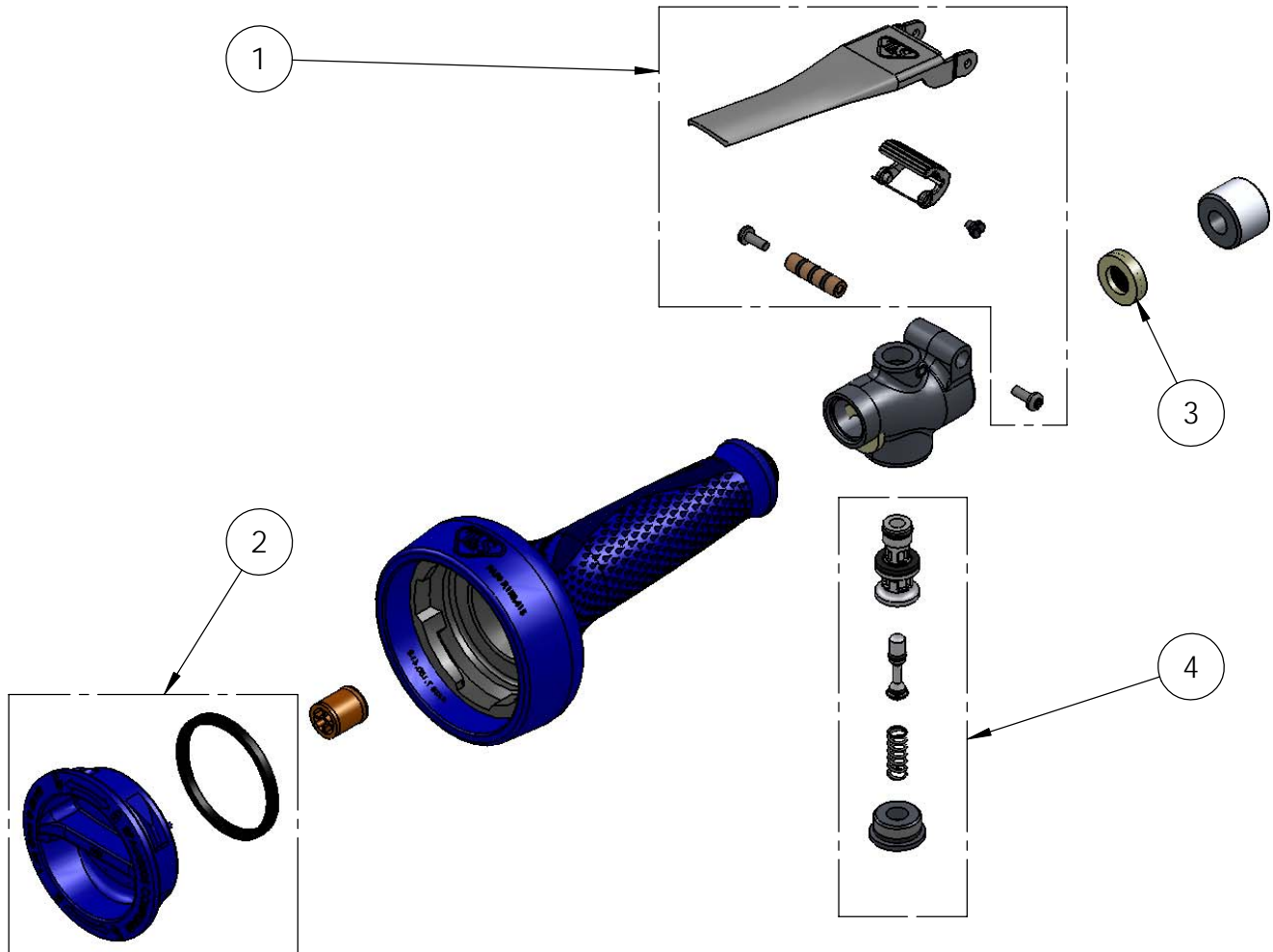
Model No.

**B-0108**

Item No.

Simi Valley, CA: 800-423-0150 Fax: 864-834-3518 www.tsbrass.com

| ITEM NO. | SALES NO. | DESCRIPTION                    |
|----------|-----------|--------------------------------|
| 1        | 108T-RK   | Trigger Repair Kit             |
| 2        | 108ST-RK  | Spray Face Repair Kit          |
| 3        | 108S-RK   | Inlet Screen/Washer Repair Kit |
| 4        | 108V-RK   | Valve Repair Kit               |



Note:  
Individual Items in Repair Kits  
are not Sold Separately

Product Specifications:  
1.48 GPM Spray Valve w/ Ergo-Grip,  
Replaceable Spray Face, &  
Integrated One-Handed Trigger Lock

|                      |                       |                          |
|----------------------|-----------------------|--------------------------|
| Drawn<br><b>KJG</b>  | Checked<br><b>DHL</b> | Approved<br><b>JHB</b>   |
| Scale:<br><b>NTS</b> |                       | Date:<br><b>01/08/09</b> |