



T&S BRASS AND BRONZE WORKS, INC.
 2 Saddleback Cove / P.O. Box 1088
 Travelers Rest, SC 29690



REG. #A2601
 ISO #9001

Model No.
B-0133-A-08 SERIES

Item No.

Travelers Rest, SC: 800-476-4600 | San Jose Valley, CA: 800-423-0150 | Fax: 864-834-3510 | www.tsbrass.com

This Space for Architect/Engineer Approval

Job Name _____ Date _____

Model Specified _____ Quantity _____

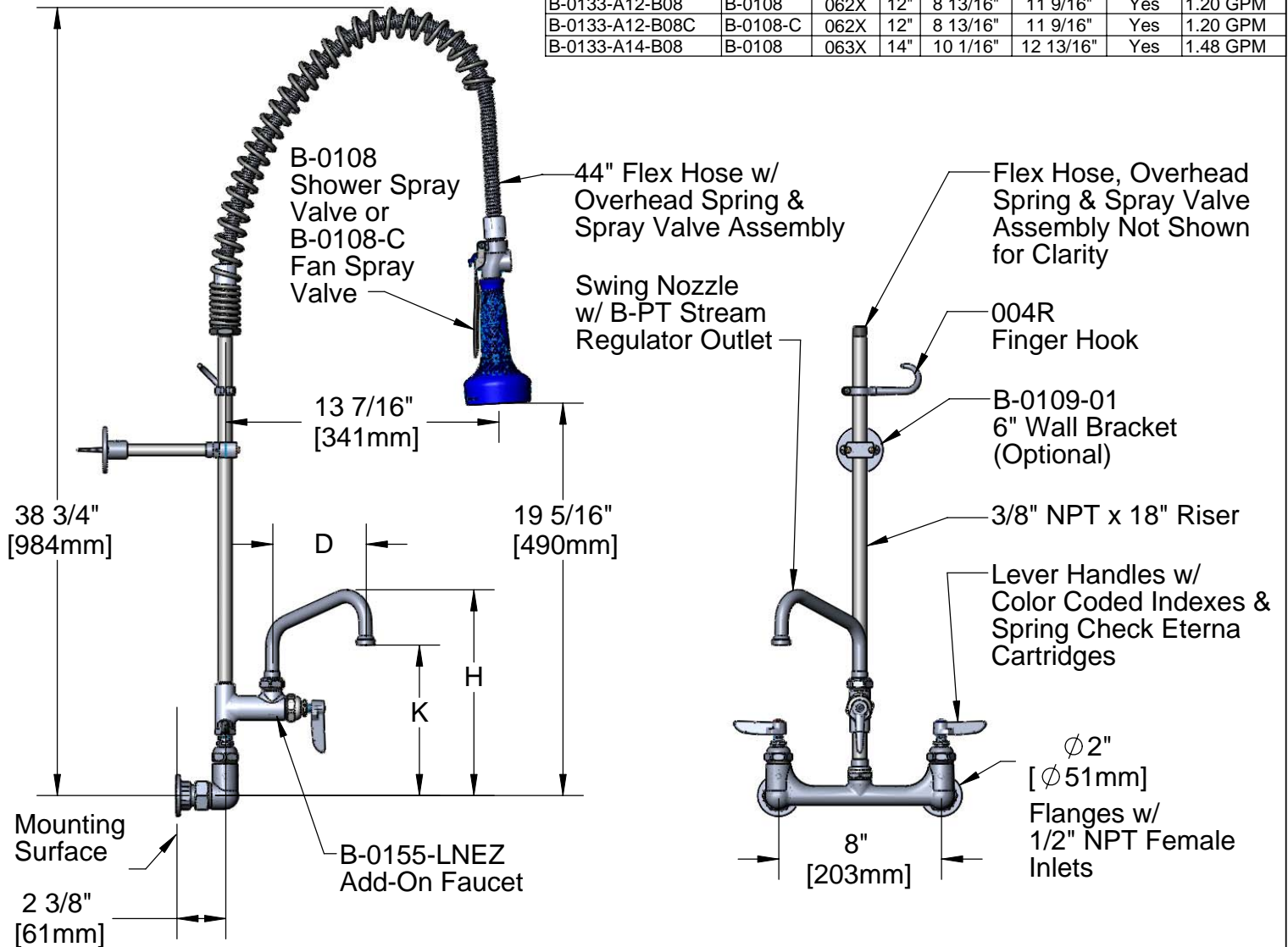
Customer/Wholesaler _____

Contractor _____

Architect/Engineer _____

Model	Spray Valve	Swing Nozzle	D	K	H	6" Wall Bracket	Flow Rate
B-0133-A06-08	B-0108	059X	6"	7 7/16"	10 1/8"	No	1.48 GPM
B-0133-A06-08C	B-0108-C	059X	6"	7 7/16"	10 1/8"	No	1.20 GPM
B-0133-A06-B08	B-0108	059X	6"	7 7/16"	10 1/8"	Yes	1.48 GPM
B-0133-A06-B08C	B-0108-C	059X	6"	7 7/16"	10 1/8"	Yes	1.20 GPM
B-0133-A08-08	B-0108	060X	8"	8"	10 3/4"	No	1.48 GPM
B-0133-A08-08C	B-0108-C	060X	8"	8"	10 3/4"	No	1.20 GPM
B-0133-A08-B08	B-0108	060X	8"	8"	10 3/4"	Yes	1.48 GPM
B-0133-A08-B08C	B-0108-C	060X	8"	8"	10 3/4"	Yes	1.20 GPM
B-0133-A10-08	B-0108	061X	10"	8 11/16"	11 7/16"	No	1.48 GPM
B-0133-A10-08C	B-0108-C	061X	10"	8 11/16"	11 7/16"	No	1.20 GPM
B-0133-A10-B08	B-0108	061X	10"	8 11/16"	11 7/16"	Yes	1.48 GPM
B-0133-A10-B08C	B-0108-C	061X	10"	8 11/16"	11 7/16"	Yes	1.20 GPM
B-0133-A12-08	B-0108	062X	12"	8 13/16"	11 9/16"	No	1.48 GPM
B-0133-A12-08C	B-0108-C	062X	12"	8 13/16"	11 9/16"	No	1.20 GPM
B-0133-A12-B08	B-0108	062X	12"	8 13/16"	11 9/16"	Yes	1.20 GPM
B-0133-A12-B08C	B-0108-C	062X	12"	8 13/16"	11 9/16"	Yes	1.20 GPM
B-0133-A14-B08	B-0108	063X	14"	10 1/16"	12 13/16"	Yes	1.48 GPM

EPAct 2005 Compliant



Product Specifications:

EasyInstall Pre-Rinse Unit:
 8" c/c Wall Mount Base Faucet, 1/2" NPT Female Inlets, 18" Riser, Overhead Spring, 44" Flex Hose, B-0108 / B-0108-C Spray Valve & Wall Bracket (Optional)

Drawn KJG	Checked DHL	Approved JHB
Scale: 1:8		Date: 01/08/09



T&S BRASS AND BRONZE WORKS, INC.

2 Saddleback Cove / P.O. Box 1088
Travelers Rest, SC 29690



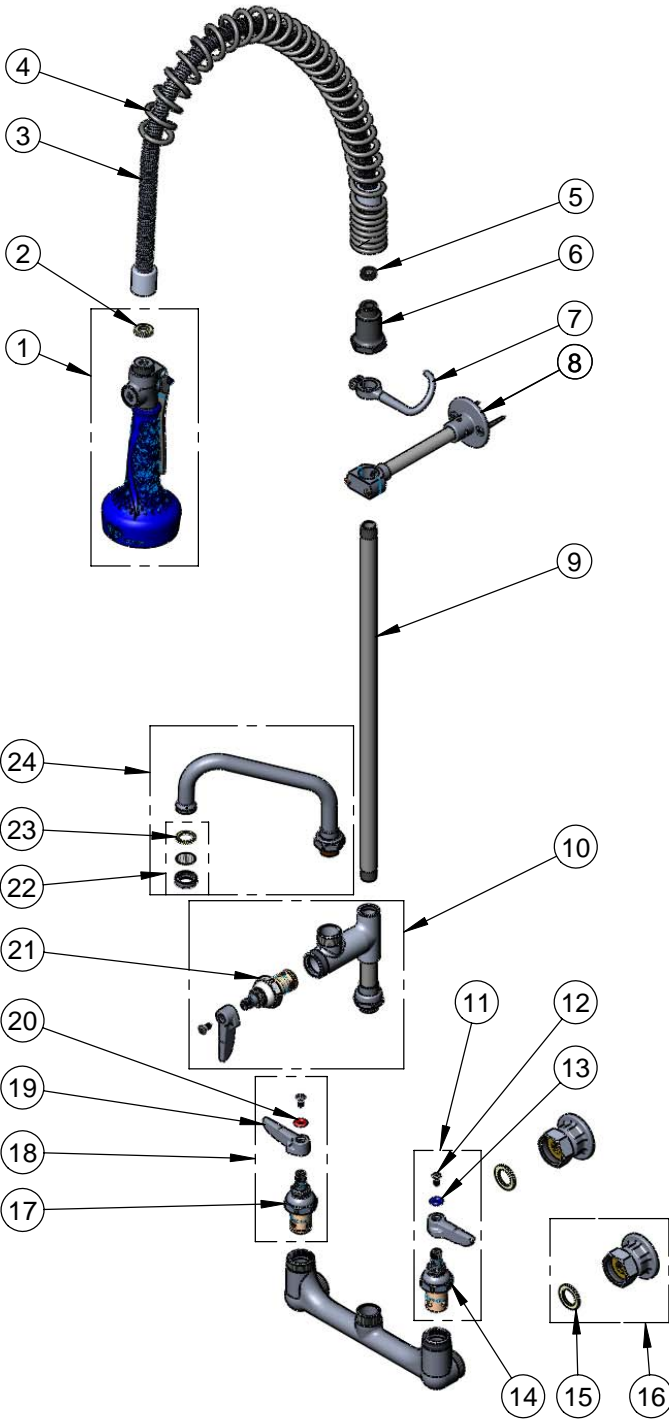
REG. #A2601
ISO #9001

Model No.

B-0133-A-08 SERIES

Item No.

Travelers Rest, SC: 800-476-4103 Simi Valley, CA: 800-423-0150 Fax: 864-834-3518 www.tsbrass.com



ITEM NO.	SALES NO.	DESCRIPTION
1	See Chart	Spray Valve
2	001014-45	Washer, B-0100 Hose Barrel
3	B-0044-H2A	44" Flex Hose Assembly, Less Handle
4	000888-45	EasyInstall Overhead Spring
5	010476-45	#27 Washer
6	000821-40	Spring Body
7	004R	Finger Hook Assembly
8	B-0109-01	6" Wall Bracket Assembly
9	000369-40	3/8" NPT x 18" Long Riser
10	B-0155-LNEZ	Easy-Install Add-On Faucet
11	002711-40	Cold Eterna Spindle Asm w/ Spring Check, Handle, Index & Screw
12	000922-45	Lever Handle Screw
13	001660-45	Blue Index-CW
14	012442-40	Cold Eterna Spindle Assembly w/ Spring Check
15	001019-45	Coupling Nut Washer
16	00AA	Flange Assembly
17	012443-40	Hot Eterna Spindle Assembly w/ Spring Check
18	002712-40	Hot Eterna Spindle Asm w/ Spring Check, Handle, Index & Screw
19	001638-45	Lever Handle
20	001661-45	Red Index-HW
21	007947-40	Quarter Turn Spindle Assembly
22	B-PT	Stream Regulator Outlet
23	001048-45	Nozzle Tip Washer
24	See Chart	Swing Nozzle
46		Label Tape "Mr Plumber"

Product Specifications:

EasyInstall Pre-Rinse Unit:
8" c/c Wall Mount Base Faucet, 1/2" NPT Female Inlets, 18" Riser, Overhead Spring, 44" Flex Hose, B-0108 / B-0108-C Spray Valve & Wall Bracket (Optional)

Drawn KJG	Checked DHL	Approved JHB
Scale: NTS		Date: 01/08/09