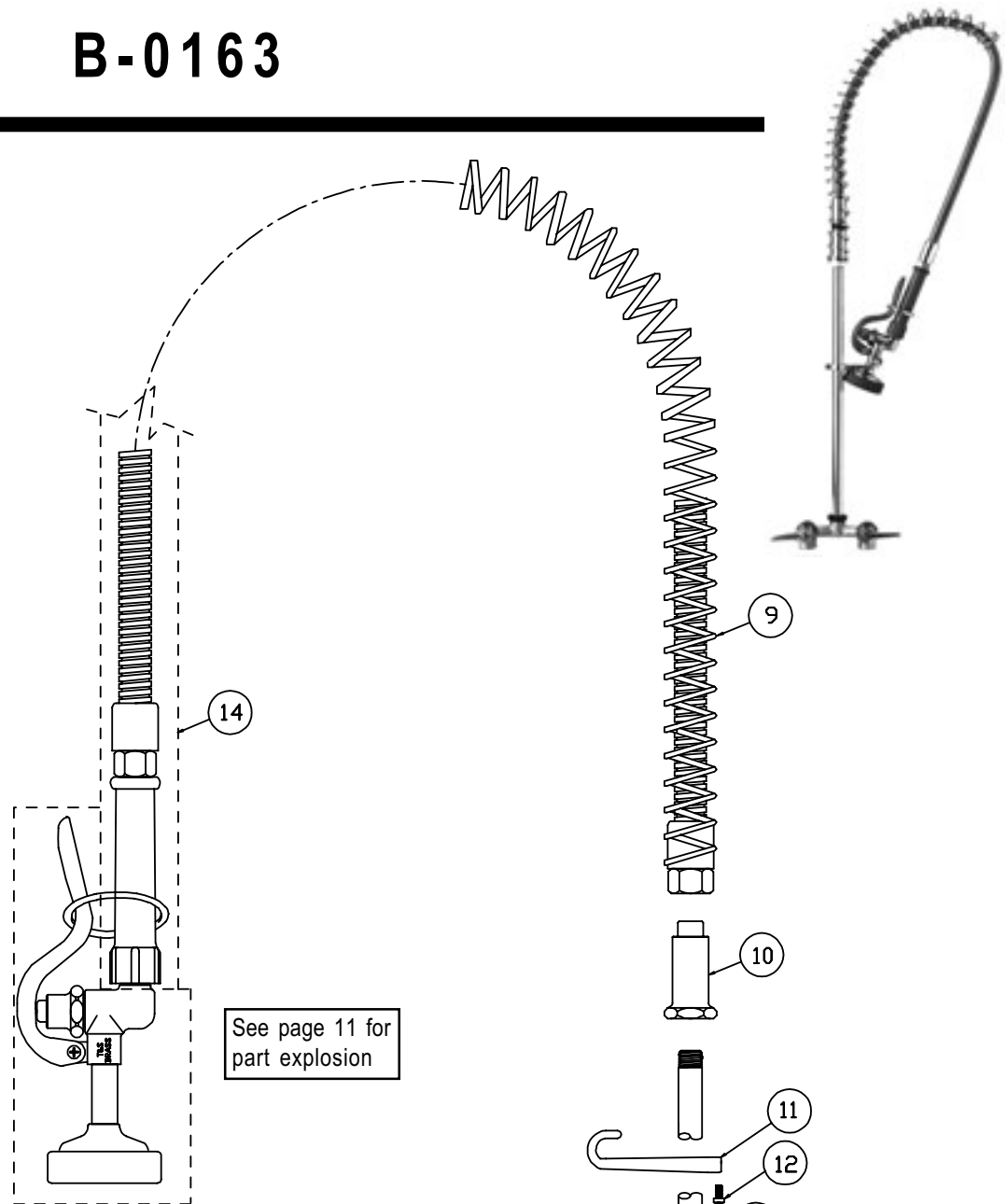


B-0163



Pre-Rinse Unit

| | | |
|----|--|-----------|
| 1 | Asm, Base Faucet | 002837-40 |
| 2 | Screw, Handle | 000922-45 |
| 3 | Index, Button, Blue/Cold | 001660-45 |
| | Index, Button, Red/Hot | 001661-45 |
| 4 | Handle, Lever | 001638-45 |
| 5 | Asm, Spindle NSF - Cold | 009753-25 |
| | Asm, Spindle NSF - Hot | 009754-25 |
| 6 | Seat | 000763-20 |
| 7 | Locknut, Cover Plate | 000712-25 |
| 8 | Grommet | 001086-45 |
| 9 | Spring, Overhead | 000888-45 |
| 10 | Spring, Body | 000821-40 |
| 11 | Finger Hook | 000021-40 |
| 12 | Screw, Finger Hook | 000916-45 |
| 13 | Nipple, 3/8" x 18" | 000369-40 |
| 14 | Asm, Hose and Handle, Stainless Ste B-0044-H | |

