



T&S BRASS AND BRONZE WORKS, INC.

2 Saddleback Cove / P.O. Box 1088
Travelers Rest, SC 29690



REG. #A2601
ISO #9001

Model No.
B-0235-01

Item No.

Travelers Rest, SC: 800-476-4103 Simi Valley, CA: 800-423-0150 Fax: 864-834-3518 www.tsbrass.com

This Space for Architect/Engineer Approval

Job Name _____ Date _____

Model Specified _____ Quantity _____

Customer/Wholesaler _____

Contractor _____

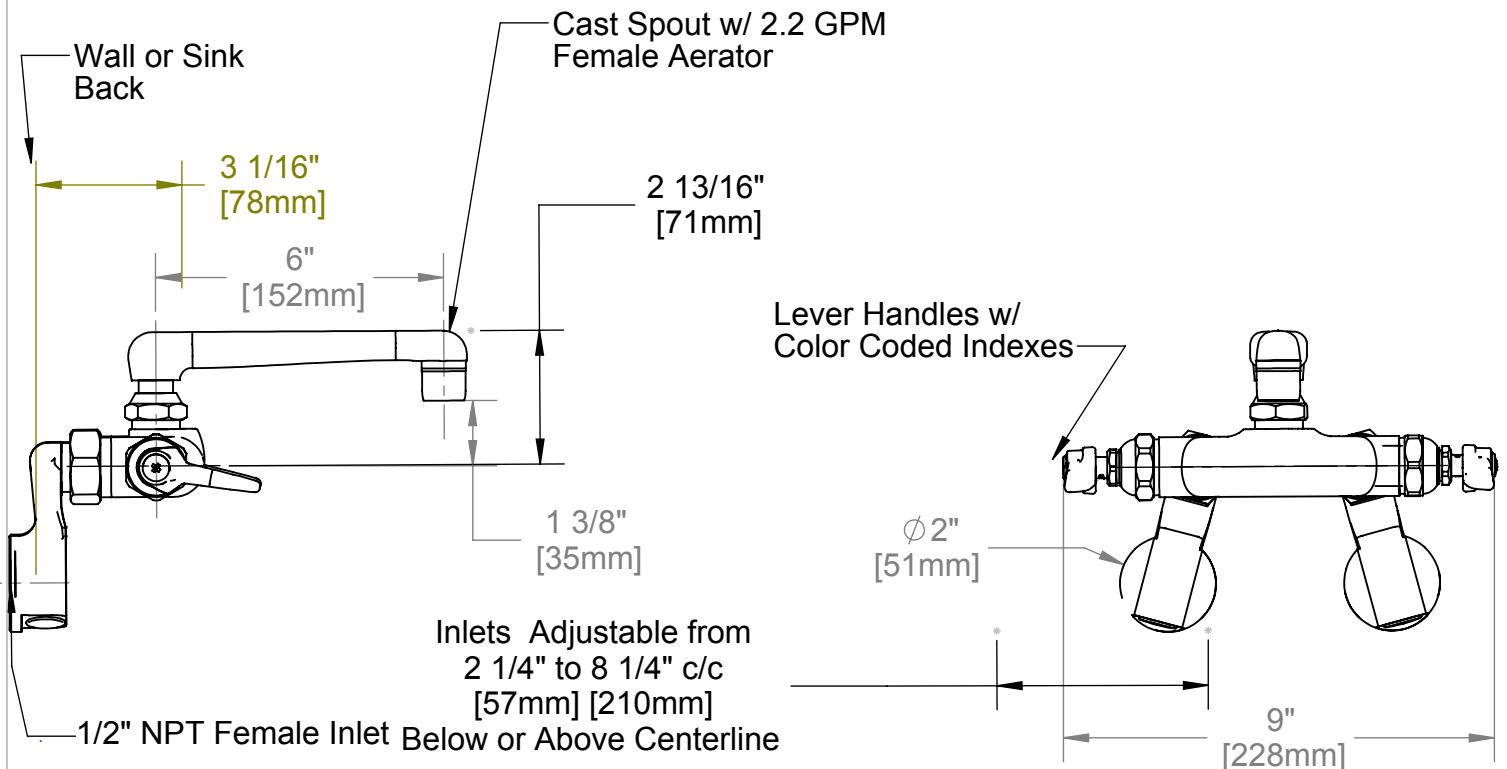
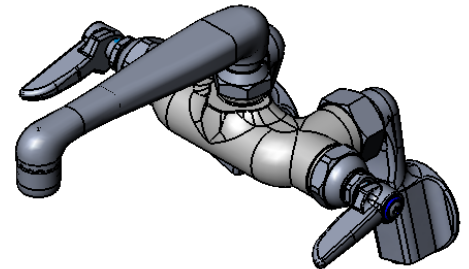
Architect/Engineer _____



ADA Compliant

Notes:

1. Nozzle Swings 360°
2. Also Available with B-0199-01 Non-Splash Aerator



Product Specifications:

Combination Sink Polish Chrome Faucet with 6" Cast Spout Nozzle & Adjustable Inlet Arms With B-0199-02 Aerator

Drawn
ARH

Checked
DHL

Approved
JHB

Scale:

1:4

Date:

12/20/07



T&S BRASS AND BRONZE WORKS, INC.

2 Saddleback Cove / P.O. Box 1088
Travelers Rest, SC 29690



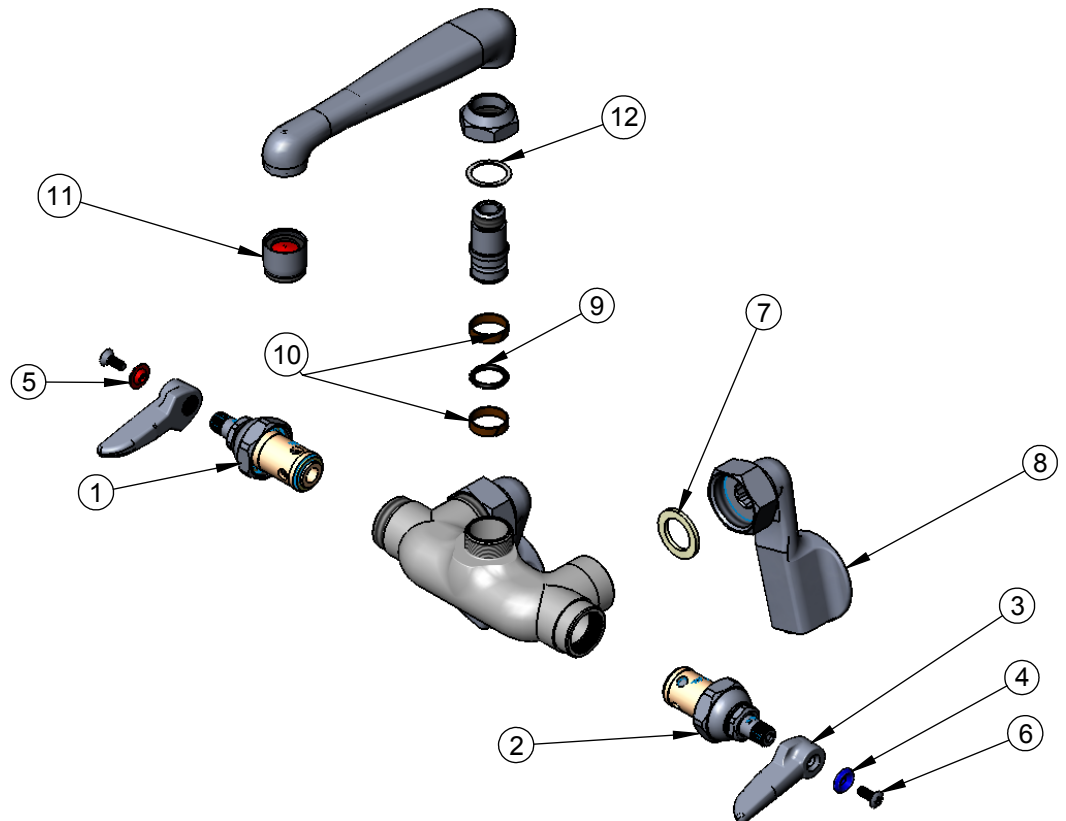
REG. #A2601
ISO #9001

Model No.
B-0235-01

Item No.

Travelers Rest, SC: 800-476-4103 Simi Valley, CA: 800-423-0150 Fax: 864-834-3518 www.tsbrass.com

ITEM NO.	SALES NO.	DESCRIPTION
1	005960-40	Spindle Asm, Eterna "Hot"
2	005959-40	Spindle Asm. Eterna "Cold"
3	001638-45	Lever Handle
4	001660-45	Blue Index-CW
5	001661-45	Red Index-HW
6	000922-45	Lever Handle Screw
7	001019-45	Washer, Coupling Nut
8	00GG	Flange Assembly, 1/2" NPT, Adjustable
9	001074-45	O-Ring
10	011429-45	Swivel Sleeves (2)
11	B-0199-02	Aerator, 2.2 GPM, 55/64-27 Female
12	009647-45	Hex Cap Washer



Product Specifications:

Combination Sink Polish Chrome Faucet with 6" Cast Spout Nozzle & Adjustable Inlet Arms With B-0199-02 Aerator

Drawn ARH	Checked DHL	Approved JHB
Scale: 1:4		Date: 12/20/07