



# T&S BRASS AND BRONZE WORKS, INC.

2 Saddleback Cove / P.O. Box 1088  
Travelers Rest, SC 29690



REG. #A2601  
ISO #9001

Model No.  
**B-0259**

Item No.

Travelers Rest, SC: 800-476-4103 Simi Valley, CA: 800-423-0150 Fax: 864-834-3518 www.tsbrass.com

This Space for Architect/Engineer Approval

Job Name \_\_\_\_\_ Date \_\_\_\_\_

Model Specified \_\_\_\_\_ Quantity \_\_\_\_\_

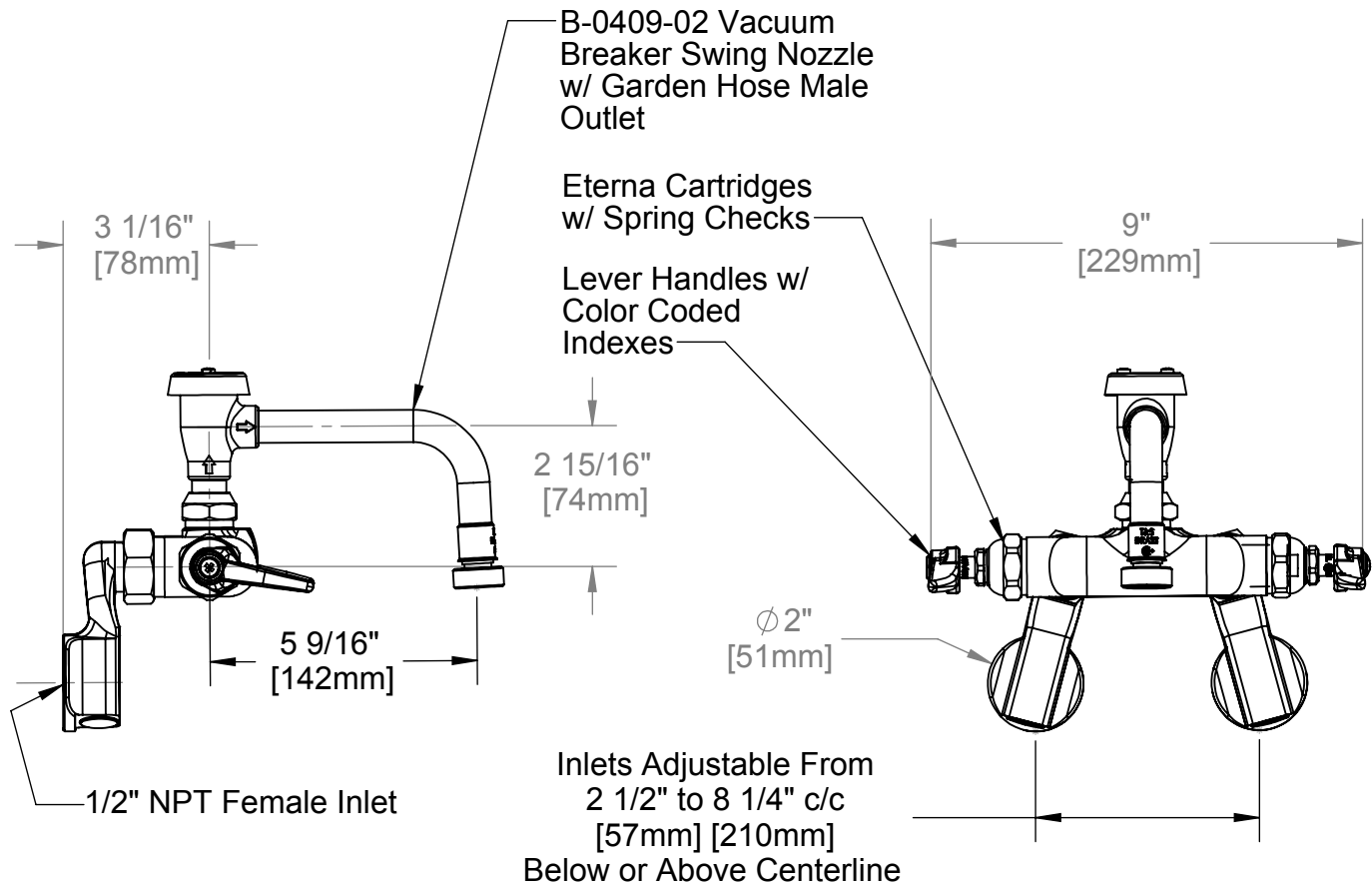
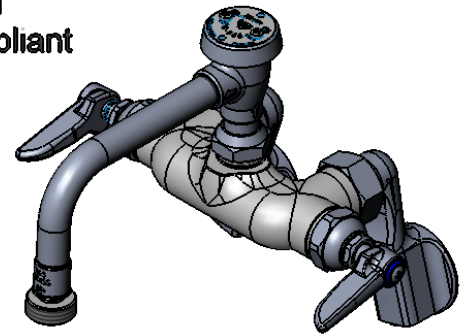
Customer/Wholesaler \_\_\_\_\_

Contractor \_\_\_\_\_

Architect/Engineer \_\_\_\_\_



**ADA Compliant**



Product Specifications:

Wall Mount Polish Chrome Mixing Faucet,  
B-0409-02 Vacuum Breaker Swing Nozzle  
& 1/2" NPT Adjustable Inlet Arms

Drawn  
KJG

Checked  
GEF

Approved  
JHB

Scale:

1:4

Date:

5/16/08



# T&S BRASS AND BRONZE WORKS, INC.

2 Saddleback Cove / P.O. Box 1088  
Travelers Rest, SC 29690



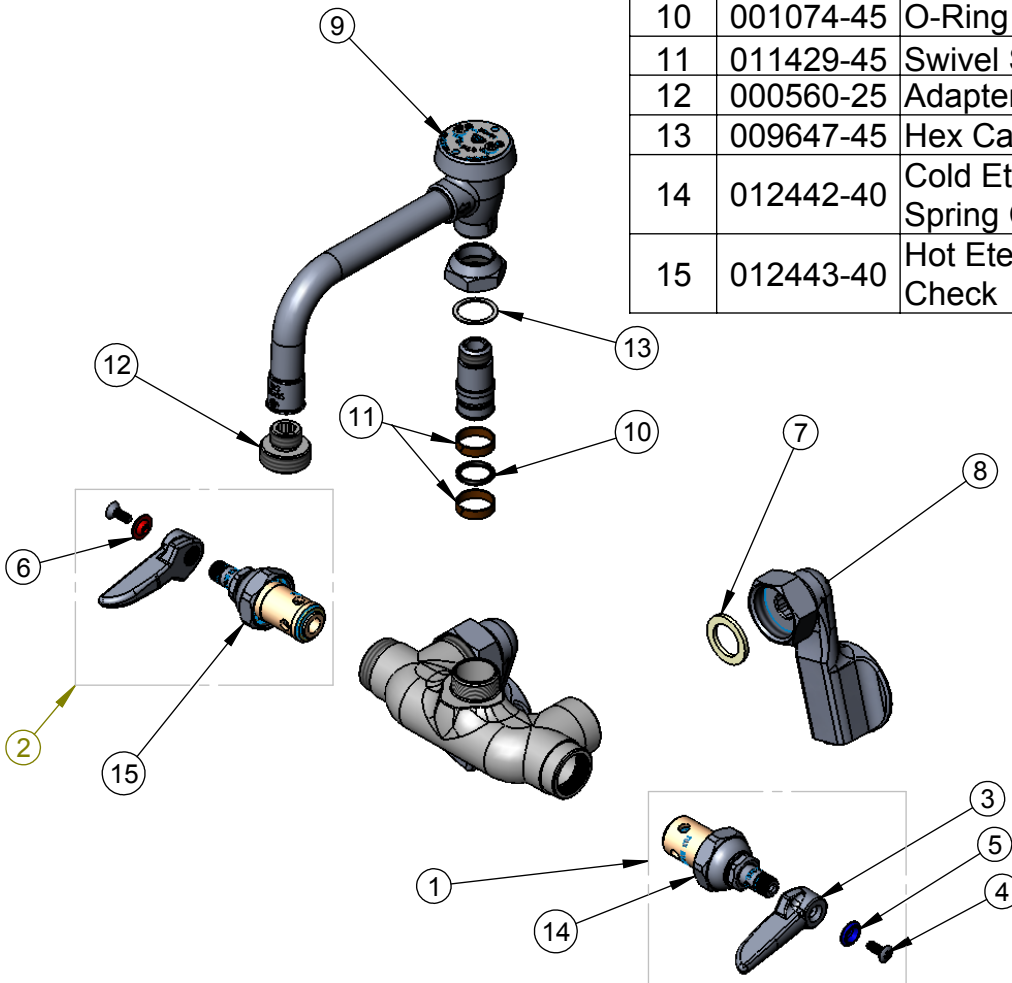
REG. #A2601  
ISO #9001

Model No.  
**B-0259**

Item No.

Travelers Rest, SC: 800-476-4103 Simi Valley, CA: 800-423-0150 Fax: 864-834-3518 www.tsbrass.com

ITEM NO.	SALES NO.	DESCRIPTION
1	002711-40	Cold Eterna Spindle Assembly w/ Spring Check, Handle, Index & Screw
2	002712-40	Hot Eterna Spindle Assembly w/ Spring Check, Handle, Index & Screw
3	001638-45	Lever Handle
4	000922-45	Lever Handle Screw
5	001660-45	Blue Index-CW
6	001661-45	Red Index-HW
7	001019-45	Coupling Nut Washer
8	00GG	Flange Assembly, 1/2" NPT, Adjustable
9	B-0968	Vacuum Breaker Asm, 3/8" NPT
10	001074-45	O-Ring
11	011429-45	Swivel Sleeve
12	000560-25	Adapter 3/4" GH X 3/8" NPSM
13	009647-45	Hex Cap Washer
14	012442-40	Cold Eterna Spindle Assembly w/ Spring Check
15	012443-40	Hot Eterna Spindle Assembly w/ Spring Check



Product Specifications:

Wall Mount Polish Chrome Mixing Faucet,  
B-0409-02 Vacuum Breaker Swing Nozzle  
& 1/2" NPT Adjustable Inlet Arms

Drawn KJG	Checked GEF	Approved JHB
Scale: 1:4		Date: 5/16/08