



T&S BRASS AND BRONZE WORKS, INC.

2 Saddleback Cove / P.O. Box 1088
Travelers Rest, SC 29690



FILED# 16002601

Model No.
B-0264

Item No.

Travelers Rest, SC: 800-476-4103 Simi Valley, CA: 800-423-0150 Fax: 864-834-3518 www.tsbrass.com

This Space for Architect/Engineer Approval

Job Name _____ Date _____

Model Specified _____ Quantity _____

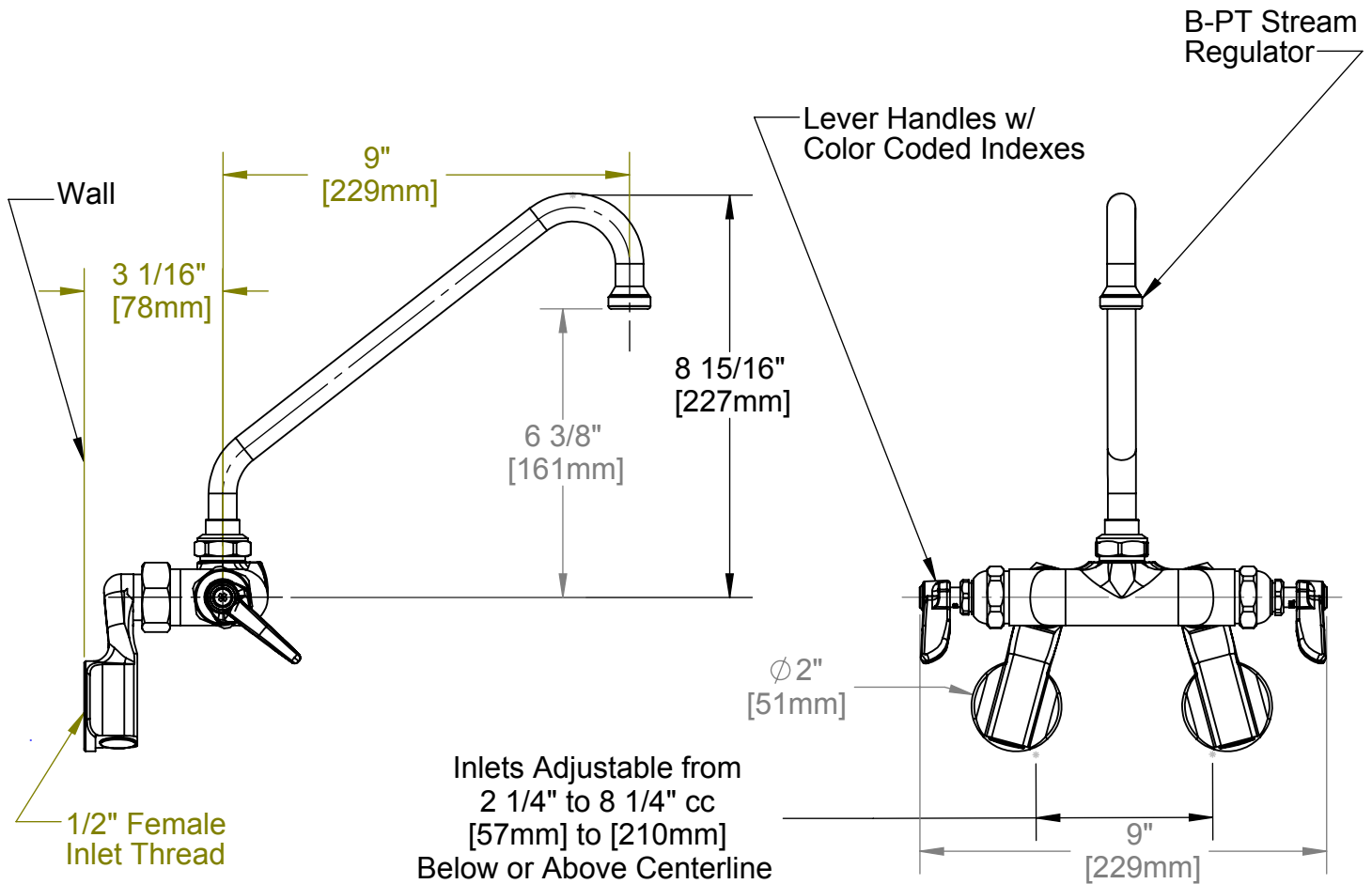
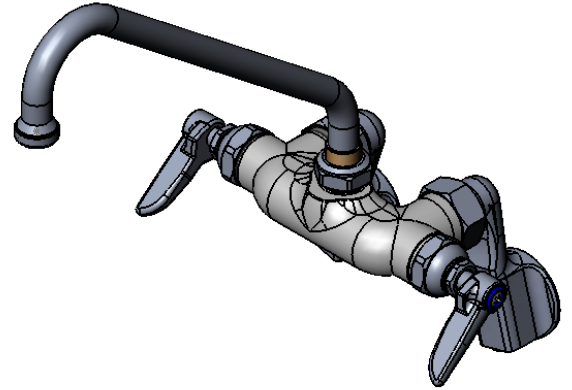
Customer/Wholesaler _____

Contractor _____

Architect/Engineer _____



ADA Compliant



Product Specifications:

**Wall Mount Polish Chrome Mixing Faucet w/
Adjustable Inlet Centers, 9" Swing Nozzle,
1/4-Turn Cartridges**

Drawn ARH	Checked DHL	Approved JHB
Scale: 1:4		Date: 12/20/07

T&S BRASS AND BRONZE WORKS, INC.

2 Saddleback Cove / P.O. Box 1088
Travelers Rest, SC 29690

Model No.

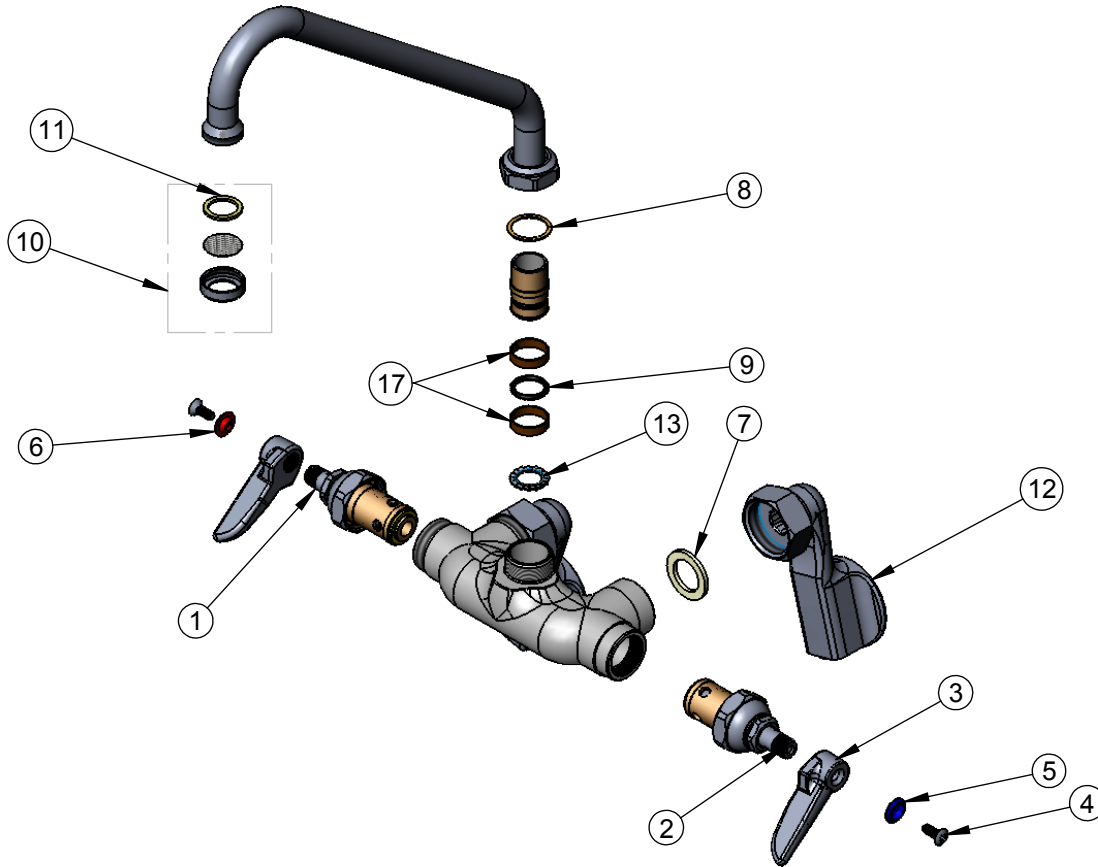
B-0264

REG. #A2601
ISO #9001

Item No.

Travelers Rest, SC: 800-476-4103 Simi Valley, CA: 800-423-0150 Fax: 864-834-3518 www.tsbrass.com

ITEM NO.	SALES NO.	DESCRIPTION
1	010324-40	Eterna Cartridge 1/4-Turn, Hot
2	010323-40	Eterna Cartridge 1/4-Turn, Cold
3	001638-45	Lever Handle
4	000922-45	Lever Handle Screw
5	001660-45	Blue Index-CW
6	001661-45	Red Index-HW
7	001019-45	Washer, Coupling Nut
8	009538-45	Swivel Washer
9	001074-45	O-Ring
10	B-PT	Stream Regulator
11	009638-45	Washer
12	00GG	Flange Assembly, 1/2" NPT, Adjustable
13	014200-45	Star Washer, Anti-Rotation
17	011429-45	Swivel Sleeves (2)



Product Specifications:

Wall Mount Polish Chrome Mixing Faucet w/
Adjustable Inlet Centers, 9" Swing Nozzle,
1/4-Turn Cartridges

Drawn

ARH

Checked

DHL

Approved

JHB

Scale:

1:4

Date:

12/20/07