



T&S BRASS AND BRONZE WORKS, INC.

2 Saddleback Cove / P.O. Box 1088
Travelers Rest, SC 29690



REG. #A2601
ISO #9001

Model No.

B-0286-LNEZ

Item No.

Travelers Rest, SC: 800-476-4103 Simi Valley, CA: 800-423-0150 Fax: 864-834-3518 www.tsbrass.com

This Space for Architect/Engineer Approval

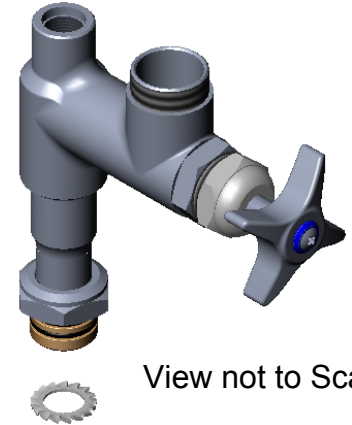
Job Name _____ Date _____

Model Specified _____ Quantity _____

Customer/Wholesaler _____

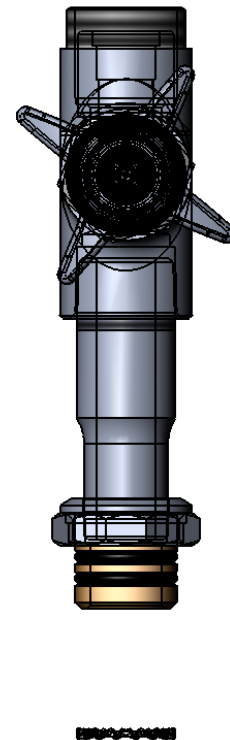
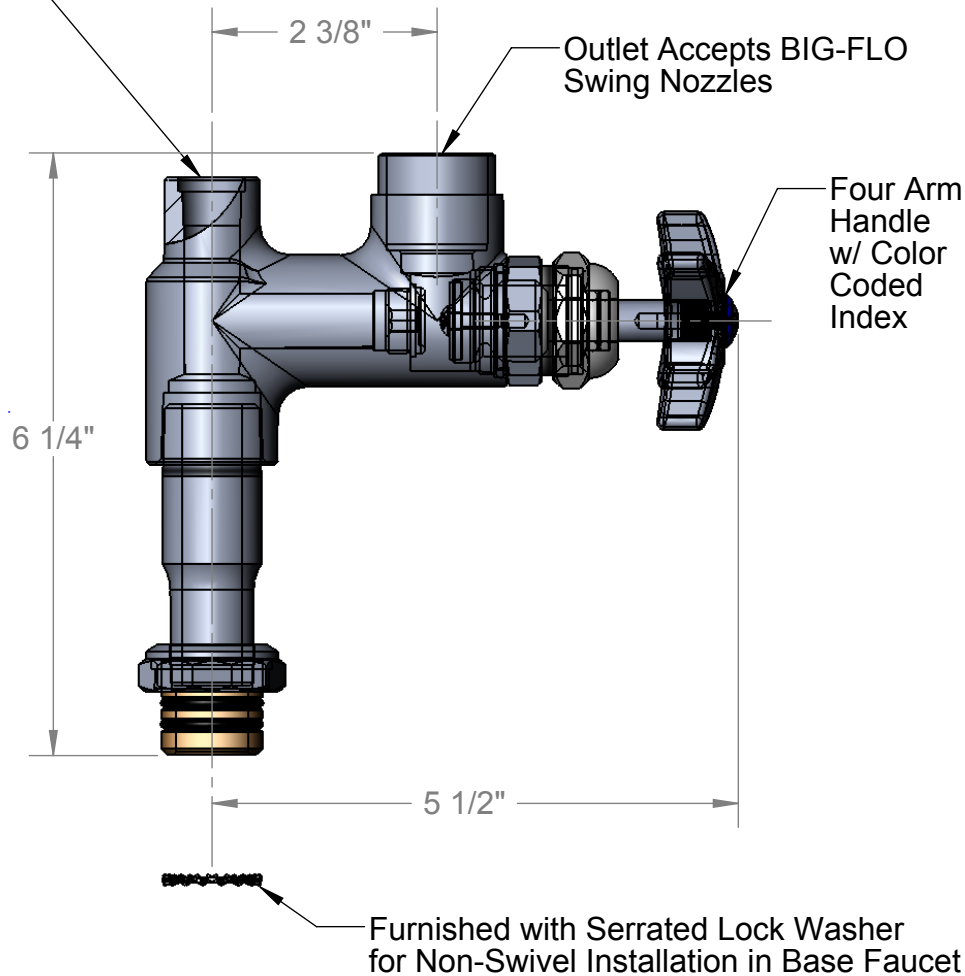
Contractor _____

Architect/Engineer _____



View not to Scale

3/8" NPT Female Pre-Rinse Unit Connection
(Can be Plugged if not Required)



Product Specifications:

**BIG-FLO EasyInstall Add On Faucet Assembly
for use with B-0290 BIG-FLO Series Faucets**

Drawn
GEF

Checked
DHL

Approved
JHB

Scale:

1:2

Date:

10/4/2007