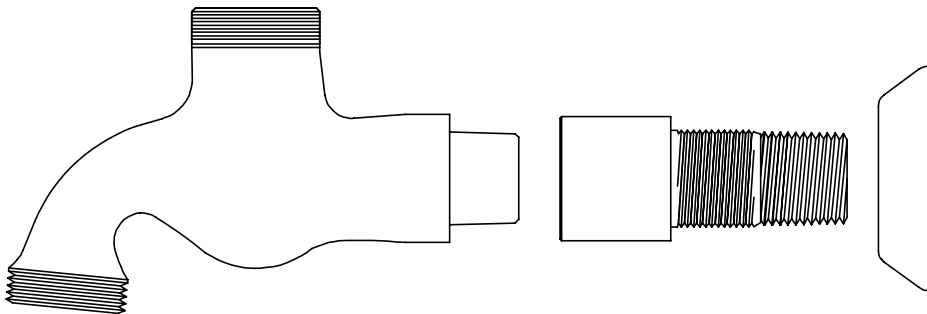
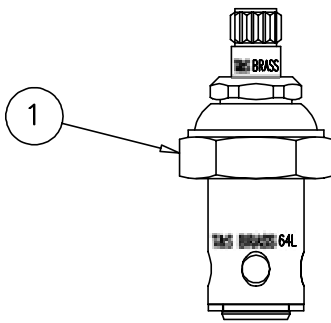
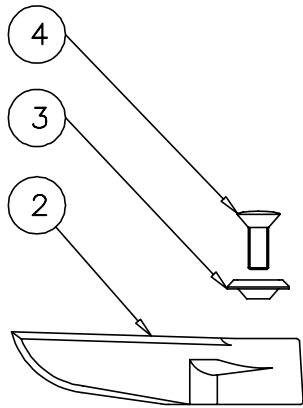




# B-0717

---



## ***Faucet Assembly***

- |   |                           |           |
|---|---------------------------|-----------|
| 1 | Asm, Spindle Eterna - Hot | 005960-40 |
| 2 | Handle, Lever             | 001638-45 |
| 3 | Index, Button, Blue/Cold  | 001660-45 |
| 4 | Screw, Handle             | 000922-45 |

