



T&S BRASS AND BRONZE WORKS, INC.

2 Saddleback Cove / P.O. Box 1088
Travelers Rest, SC 29690



REG. #A2601
ISO #9001

Model No.

B-0800-PA

Item No.

Travelers Rest, SC: 800-476-4103 Simi Valley, CA: 800-423-0150 Fax: 864-834-3518 www.tsbrass.com

This Space for Architect/Engineer Approval

Job Name _____ Date _____

Model Specified _____ Quantity _____

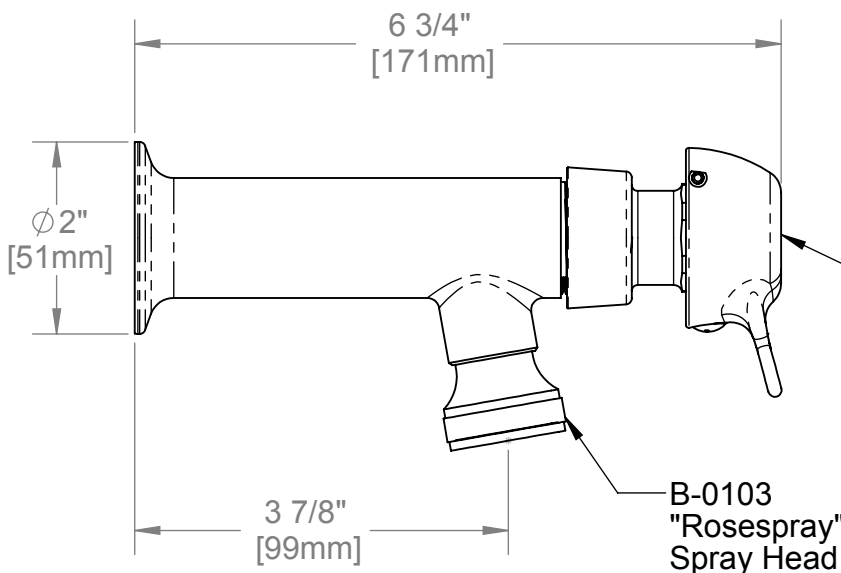
Customer/Wholesaler _____

Contractor _____

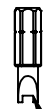
Architect/Engineer _____



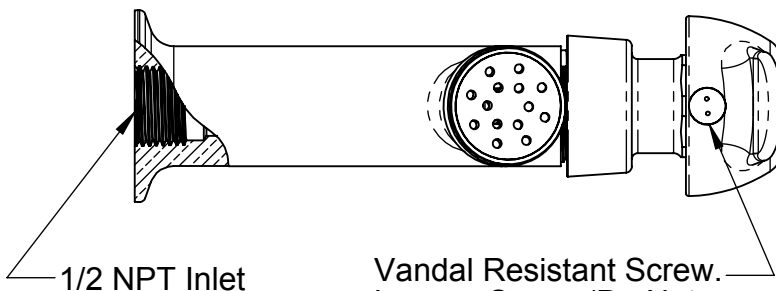
ADA Compliant



238AB-PA
Pivot Action
Metering Cartridge
w/ Blank Handle and
Vandal Resistant Screw



Furnished w/
Spanner Bit for
Vandal Resistant
Screw.



Vandal Resistant Screw.
Loosen Screw (Do Not
Remove) and Flip Handle
Up to Access Metering
Adjustment.
(Metering Adjustment
Requires 3/32" Hex Key)

Product Specifications:

**Wash Sink Metering Faucet with Pivot Action
Metering Cartridge, 1/2" NPT Female Inlet
and 1 1/4" Diameter "Rosespray" Spray Head**

Drawn GEF	Checked ARH	Approved 01/23/08
Scale: 1:2	Date: JHB	



T&S BRASS AND BRONZE WORKS, INC.

2 Saddleback Cove / P.O. Box 1088
Travelers Rest, SC 29690



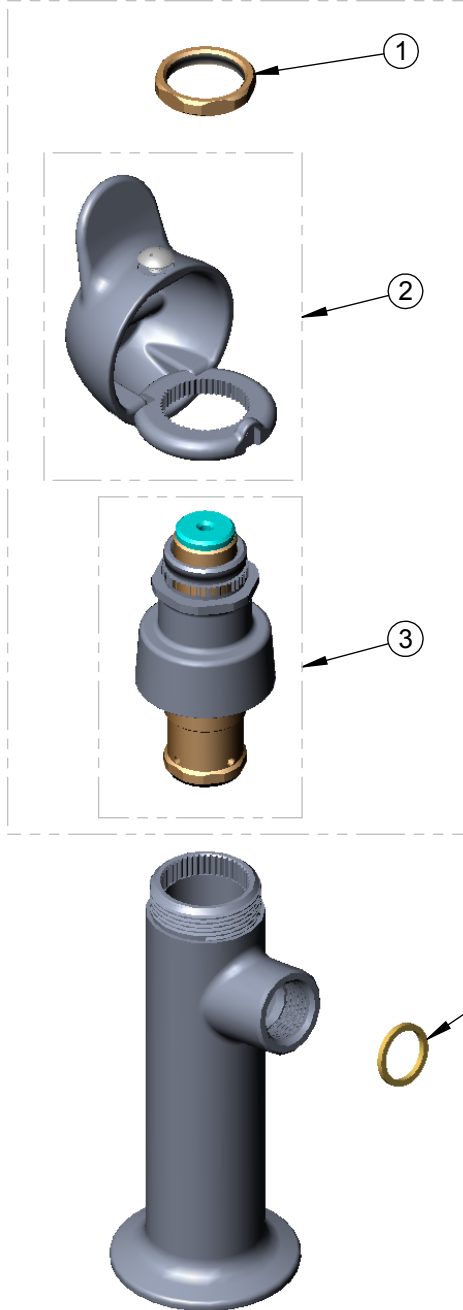
REG. #A2601
ISO #9001

Model No.

B-0800-PA

Item No.

Travelers Rest, SC: 800-476-4103 Simi Valley, CA: 800-423-0150 Fax: 864-834-3518 www.tsbrass.com



ITEM NO.	SALES NO.	DESCRIPTION
1	PA-N	Retaining Nut
2	PA-B	Blank Pivot Action Handle Assembly w/ Retaining Nut and Spanner Bit
3	238A-PA	Pivot Action Metering Cartridge w/ Retaining nut
4	238AB-PA	Pivot Action Metering Cartridge w/ Blank Pivot Action Handle, Retaining Nut and Spanner Bit
5	009636-45	Washer
6	B-0103	Rosespray



Spanner Bit for
Vandal Resistant Screw
014734-45



Pivot Action Handle
Vandal Resistant Screw
016654-45

Product Specifications:

Wash Sink Metering Faucet with Pivot Action Metering Cartridge, 1/2" NPT Female Inlet and 1 1/4" Diameter "Rosespray" Spray Head

Drawn GEF	Checked ARH	Approved 01/23/08
Scale: 1:2		Date: JHB