



**T&S BRASS AND BRONZE WORKS, INC.**

2 Saddleback Cove / P.O. Box 1088  
Travelers Rest, SC 29690



REG. #A2601  
ISO #9001

Model No.  
**B-0805-DP-LF05**

Item No.

Travelers Rest, SC: 800-476-4103 Simi Valley, CA: 800-423-0150 Fax: 864-834-3518 www.tsbrass.com

This Space for Architect/Engineer Approval

Job Name \_\_\_\_\_ Date \_\_\_\_\_

Model Specified \_\_\_\_\_ Quantity \_\_\_\_\_

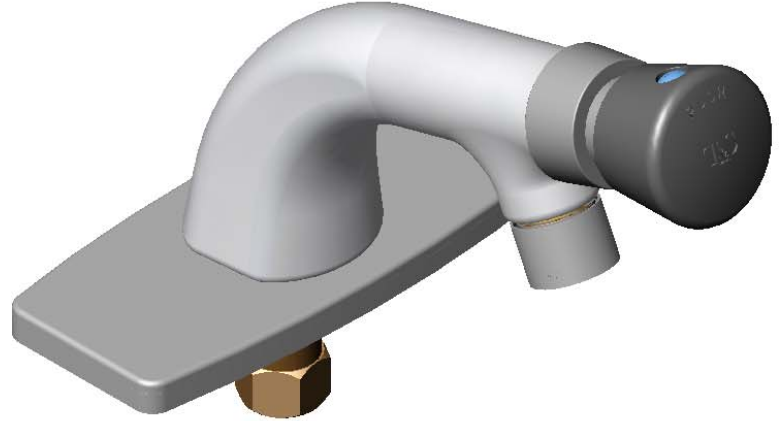
Customer/Wholesaler \_\_\_\_\_

Contractor \_\_\_\_\_

Architect/Engineer \_\_\_\_\_

Variations or Applicable Options:

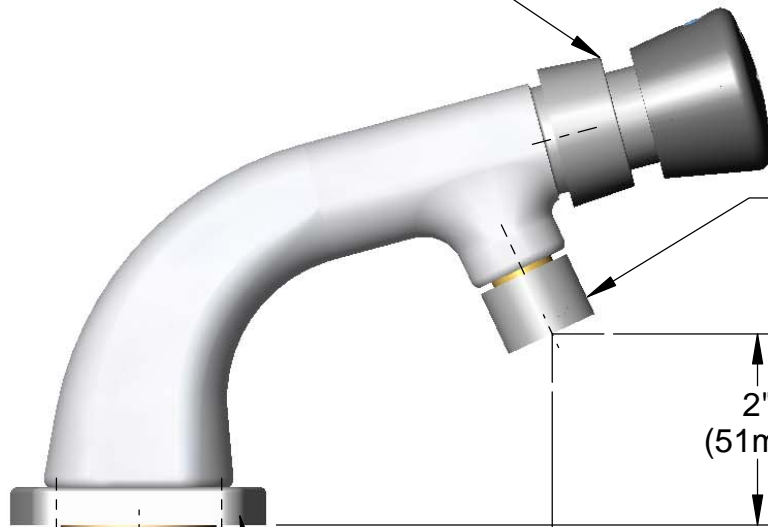
- WH6 6" Wrist Action Handles
- 177F Lever Handles
- 175F 4-Arm Kitchen Handles



Furnished w/ Spanner Bit for Flow Duration Adjustment



Push Button Metering Cartridge



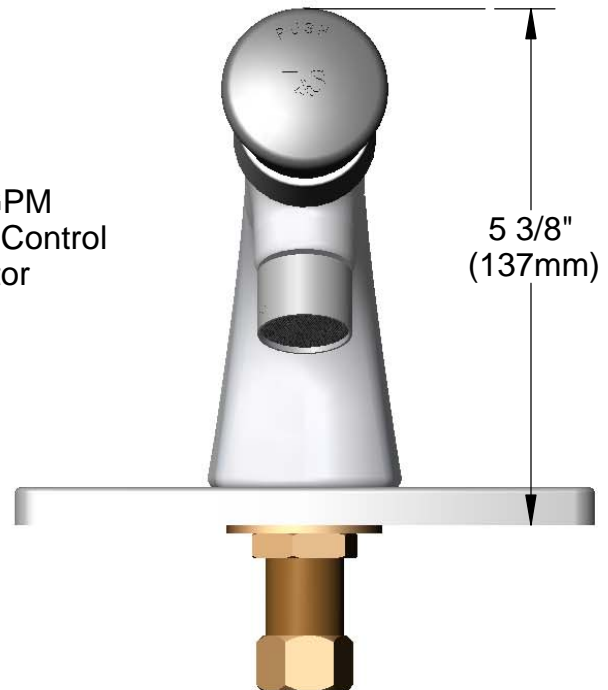
0.5 GPM Flow Control Aerator

2"  
(51mm)

Polish Chrome Deckplate

1/2" NPSM Male Shank

4 5/16"  
(110mm)



5 3/8"  
(137mm)

Product Specifications:

Single Temperature Deck Mount Faucet, 1/2" NPSM Male Shank, Push Button Metering Cartridge, 0.5 GPM Flow Control Aerator, Polish Chrome Deck Plate

Drawn WJS	Checked JRM	Approved JHB
Scale: 1:2		Date: 3/13/2006



**T&S BRASS AND BRONZE WORKS, INC.**  
 2 Saddleback Cove / P.O. Box 1088  
 Travelers Rest, SC 29690



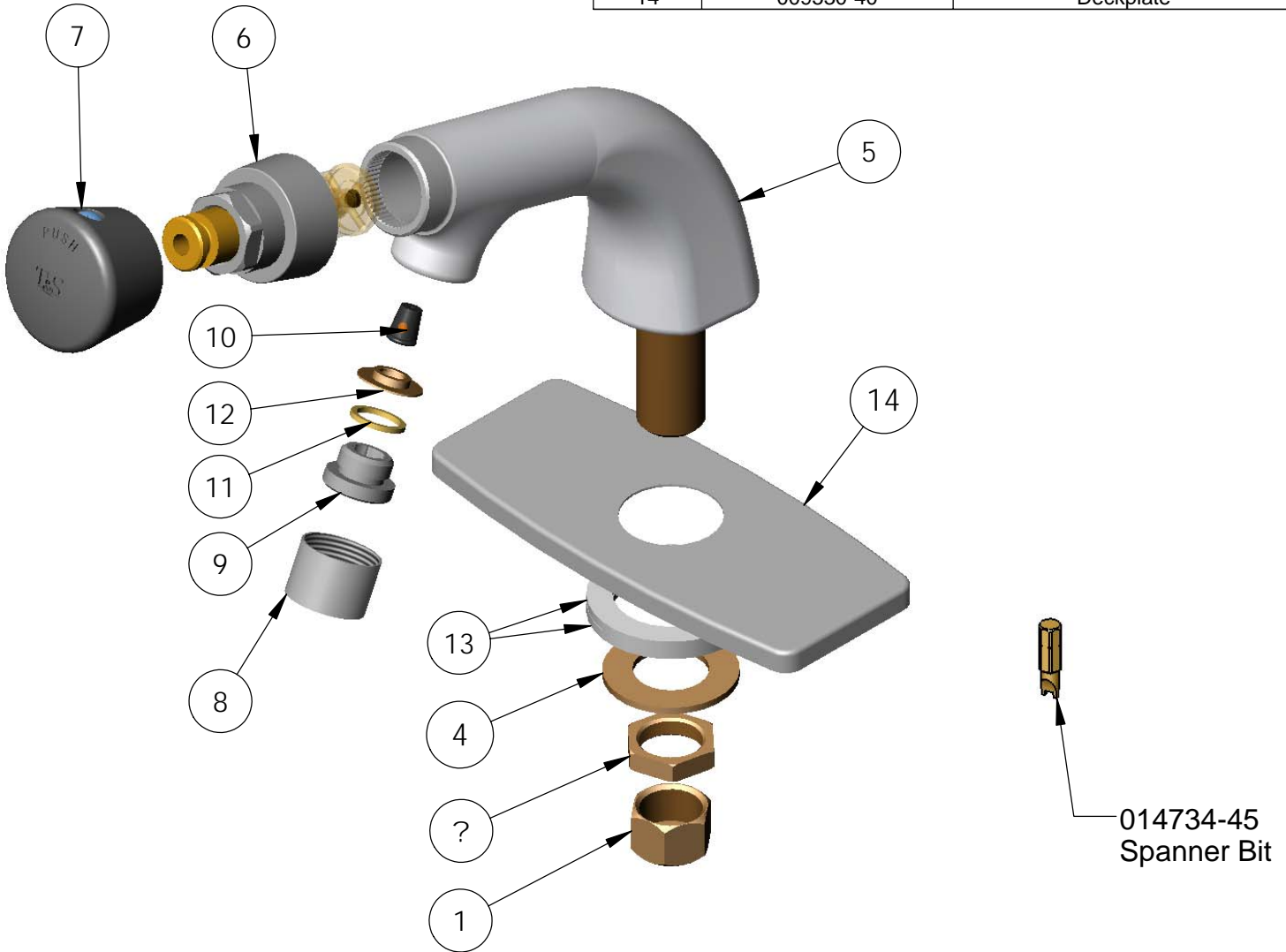
REG. #A2601  
 ISO #9001

Model No.  
**B-0805-DP-LF05**

Item No.

Travelers Rest, SC: 800-476-4103 Simi Valley, CA: 800-423-0150 Fax: 864-834-3518 www.tsbrass.com

Item No.	Sales No.	Description
1	000958-20	Coupling Nut
3	002954-45	Shank Lock Nut
4	007361-45	Brass Lock Washer
6	238A	Push Button Metering Ctg.
7	014193-40	Push Button Cap Asm.
8	B-0199-06	VR Aerator
9	044A	3/8" to Aer. Adapter
10	001640-45	Flow Tower, 0.5 GPM
11	009636-45	Washer
12	001629-20	Flow Control Holder
13	009965-20	Delrin Spacer
14	009530-40	Deckplate



Product Specifications:

Single Temperature Deck Mount Faucet, 1/2" NPSM  
 Male Shank, Push Button Metering Cartridge, 0.5 GPM  
 Flow Control Aerator, Polish Chrome Deck Plate

Drawn WJS	Checked JRM	Approved JHB
Scale: 1:2		Date: 3/13/2006