



# T&S BRASS AND BRONZE WORKS, INC.

2 Saddleback Cove / P.O. Box 1088  
Travelers Rest, SC 29690



REG. #A2601  
ISO #9001

Model No.

**B-0805-DP-PA**

Item No.

Travelers Rest, SC: 800-476-4103 Simi Valley, CA: 800-423-0150 Fax: 864-834-3518 www.tsbrass.com

This Space for Architect/Engineer Approval

Job Name \_\_\_\_\_ Date \_\_\_\_\_

Model Specified \_\_\_\_\_ Quantity \_\_\_\_\_

Customer/Wholesaler \_\_\_\_\_

Contractor \_\_\_\_\_

Architect/Engineer \_\_\_\_\_



**ADA Compliant**

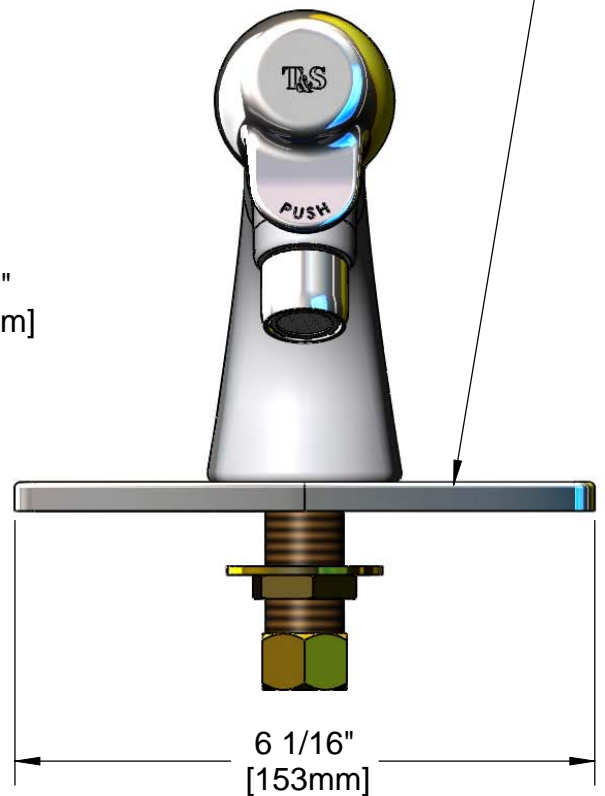
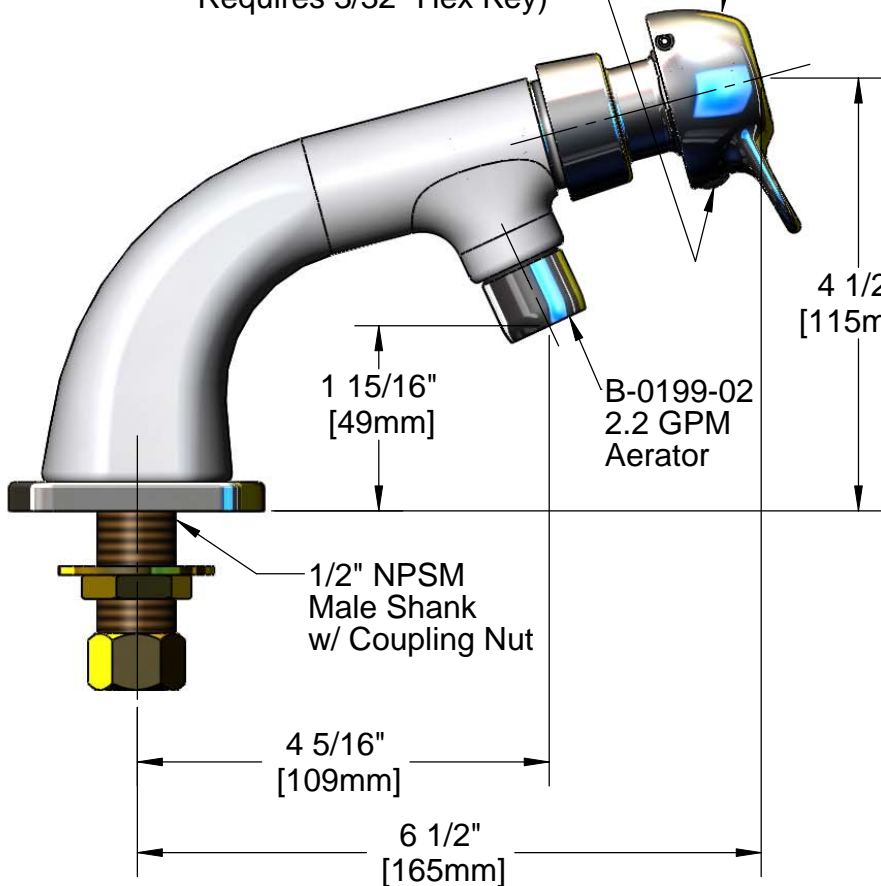


View Not to Scale

Vandal Resistant Screw.  
Loosen Screw (Do Not  
Remove) and Flip Handle  
Up to Access Metering  
Adjustment.  
(Metering Adjustment  
Requires 3/32" Hex Key)

238AB-PA  
Pivot Action  
Metering Cartridge  
w/ Blank Handle and  
Vandal Resistant Screw

009530-40  
Deck Plate



Furnished w/  
Spanner Bit for  
Vandal Resistant  
Screw.



Rough-In:  $\varnothing$ 1" Hole

Product Specifications:

**Single Temp Metering Faucet w/ 1/2" NPSM  
Male Shank, Pivot Action Metering Cartridge,  
2.2 GPM Aerator and Chrome Plated Deck Plate**

Drawn DMH	Checked GEF	Approved JHB
Scale: 1:2		Date: 07/09/08



**T&S BRASS AND BRONZE WORKS, INC.**

2 Saddleback Cove / P.O. Box 1088  
Travelers Rest, SC 29690



REG. #A2601  
ISO #9001

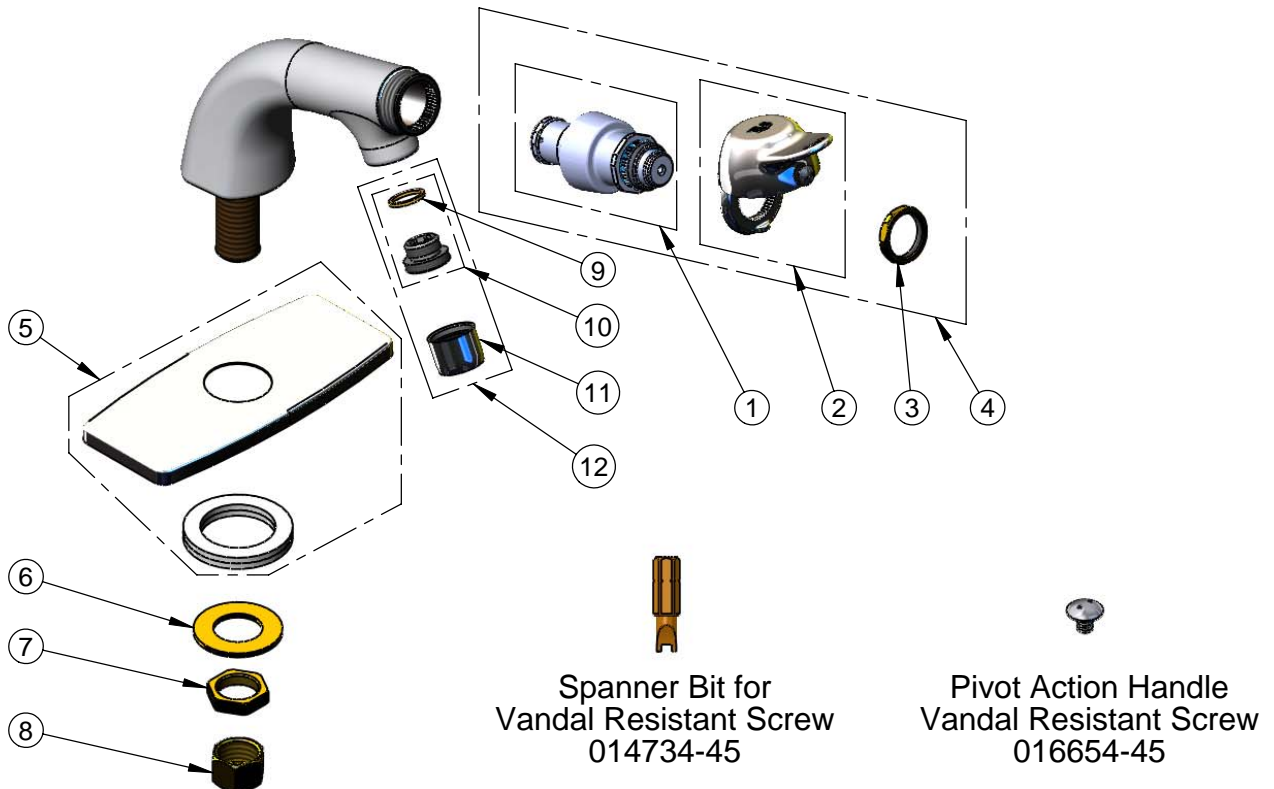
Model No.

**B-0805-DP-PA**

Item No.

Travelers Rest, SC: 800-476-4103 Simi Valley, CA: 800-423-0150 Fax: 864-834-3518 www.tsbrass.com

ITEM NO.	SALES NO.	DESCRIPTION
1	238A-PA	Pivot Action Metering Cartridge w/ Retaining Nut
2	PA-B	Blank Pivot Action Handle Assembly w/ Retaining Nut and Spanner Bit
3	PA-N	Retaining Nut
4	238AB-PA	Pivot Action Metering Cartridge w/ Blank Pivot Action Handle, Retaining Nut, and Spanner Bit
5	009345-45	Deck Plate w/ Supports
6	000999-45	Brass Lock Washer
7	002954-45	Shank Lock Nut
8	000958-20	Coupling Nut
9	001043-45	Washer
10	044A	3/8" to Aerator Adapter
11	B-0199-01	Aerator, 2.2 GPM, 55/64-27 Female
12	B-0199-02	2.2 GPM Aerator, 3/8" NPSM



Product Specifications:

Single Temp Metering Faucet w/ 1/2" NPSM  
Male Shank, Pivot Action Metering Cartridge,  
2.2 GPM Aerator and Chrome Plated Deck Plate

Drawn	Checked	Approved
DMH	GEF	JHB
Scale:		Date:
NTS		07/09/08