



T&S BRASS AND BRONZE WORKS, INC.

2 Saddleback Cove / P.O. Box 1088
Travelers Rest, SC 29690



REG. #A2601
ISO #9001

Model No.
B-0806

Item No.

Travelers Rest, SC: 800-476-4103 Simi Valley, CA: 800-423-0150 Fax: 864-834-3518 www.tsbrass.com

This Space for Architect/Engineer Approval

Job Name _____ Date _____

Model Specified _____ Quantity _____

Customer/Wholesaler _____

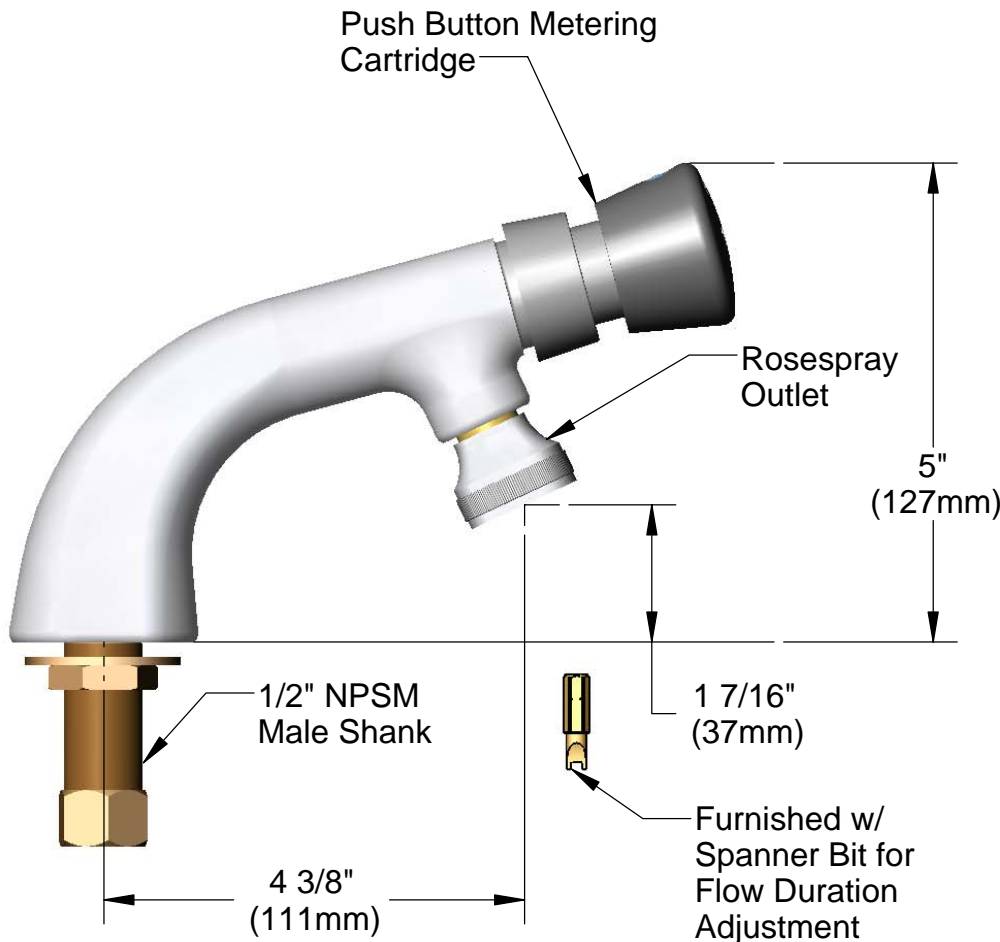
Contractor _____

Architect/Engineer _____



Variations or Applicable Options:

- WH6 6" Wrist Action Handles
- 177F Lever Handles
- 175F 4-Arm Kitchen Handles



Product Specifications: Single Temperature Deck Mount Faucet, 1/2" NPSM Male Shank, Push Button Metering Cartridge, and Rosespray Outlet	Drawn WJS	Checked JRM	Approved JHB
	Scale: 1:2		Date: 3/13/2006



T&S BRASS AND BRONZE WORKS, INC.
 2 Saddleback Cove / P.O. Box 1088
 Travelers Rest, SC 29690

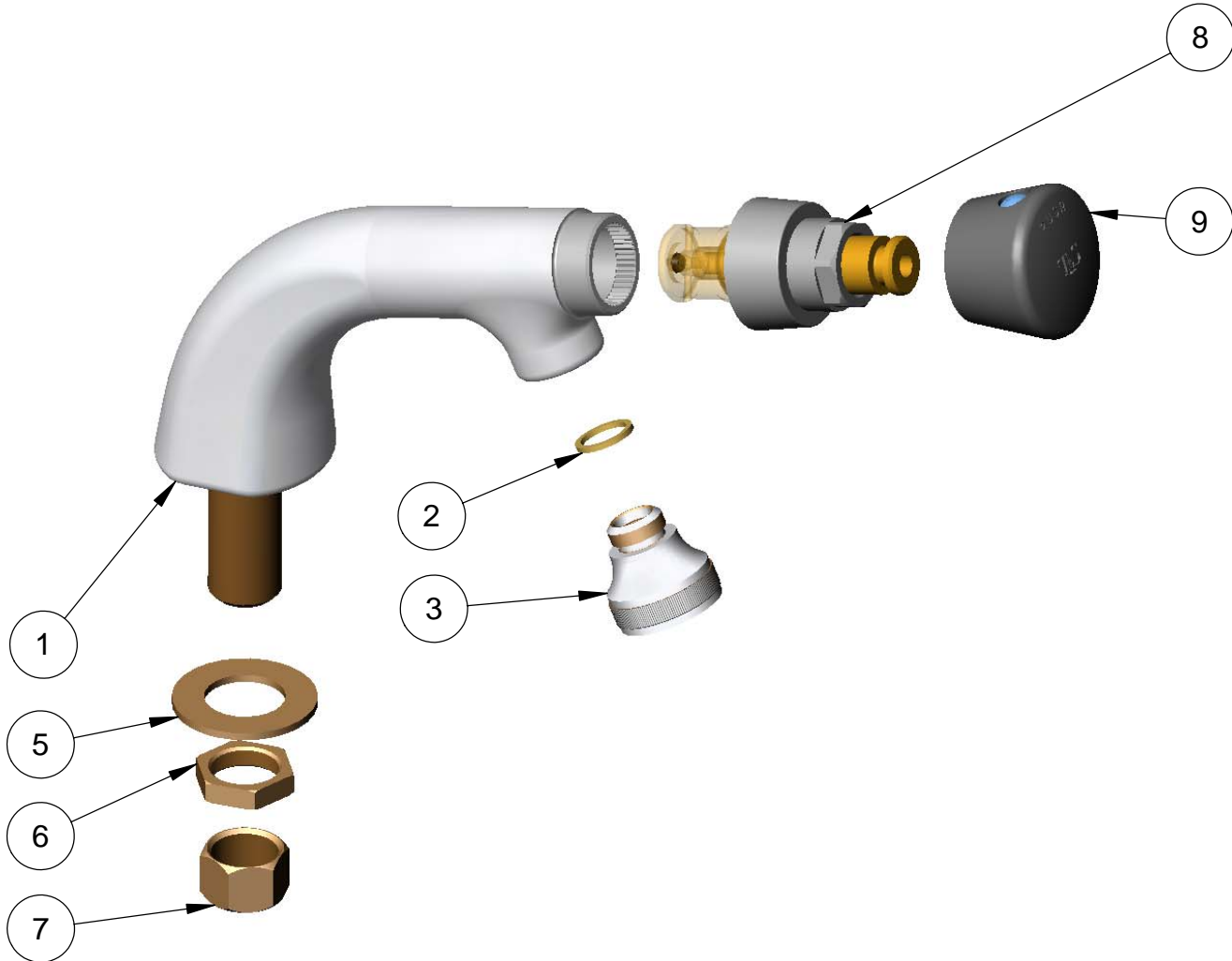


REG. #A2601
 ISO #9001

Model No.
B-0806

Item No.

Travelers Rest, SC: 800-476-4103 Simi Valley, CA: 800-423-0150 Fax: 864-834-3518 www.tsbrass.com



Item No.	Sales No.	Description
2	009636-45	Washer
3	B-0103	Rosespray
5	007361-45	Brass Lock Washer
6	002954-45	Shank Lock Nut
7	000958-20	Coupling Nut
8	238A	Push Button Metering Ctg.
9	014193-40	Push Button Cap Asm.

Product Specifications:

Single Temperature Deck Mount Faucet, 1/2" NPSM
 Male Shank, Push Button Metering Cartridge,
 and Rosespray Outlet

Drawn WJS	Checked JRM	Approved JHB
Scale: 1:2		Date: 3/13/2006