



T&S BRASS AND BRONZE WORKS, INC.

2 Saddleback Cove / P.O. Box 1088
Travelers Rest, SC 29690



REG. #A2601
ISO #9001

Model No.

B-0831-02-PA

Item No.

Travelers Rest, SC: 800-476-4103 Simi Valley, CA: 800-423-0150 Fax: 864-834-3518 www.tsbrass.com

This Space for Architect/Engineer Approval

Job Name _____ Date _____

Model Specified _____ Quantity _____

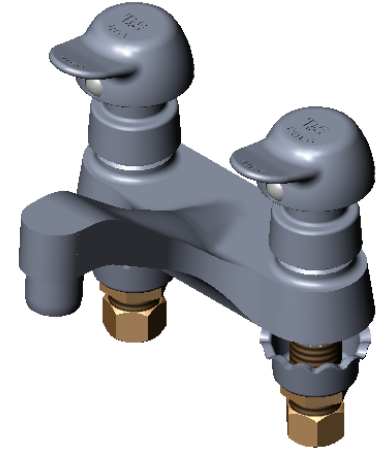
Customer/Wholesaler _____

Contractor _____

Architect/Engineer _____



ADA Compliant

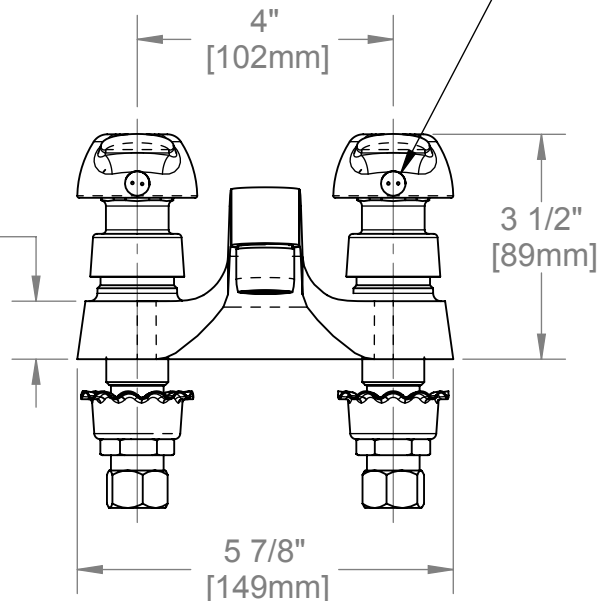
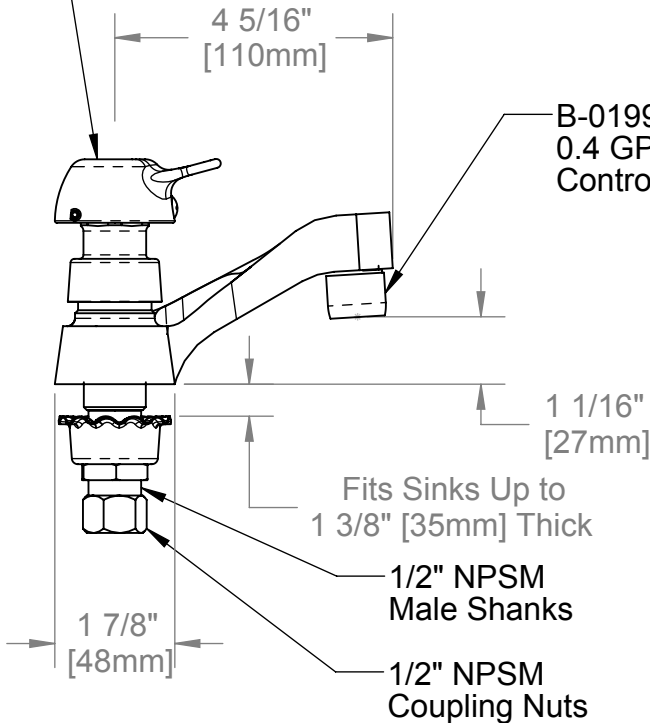


Furnished w/
Spanner Bit for
Vandal Resistant
Screw.

Vandal Resistant Screw.
Loosen Screw (Do Not
Remove) and Flip Handle
Up to Access Metering
Adjustment.
(Metering Adjustment
Requires 3/32" Hex Key)

238AH-PA (Hot Side)
238AC-PA (Cold Side)
Pivot Action
Metering Cartridges
w/ Hot & Cold Handles and
Vandal Resistant Screws

B-0199-03F-05
0.4 GPM Flow
Control Aerator



Rough-In: ϕ 1 1/8" Holes

Product Specifications:

**4" Centerset Metering & Mixing Faucet with
Pivot Action Metering Cartridges and
0.4 GPM Flow Control Aerator**

Drawn
GEF

Checked
ARH

Approved
JHB

Scale:

NTS

Date:

01/23/08



T&S BRASS AND BRONZE WORKS, INC.

2 Saddleback Cove / P.O. Box 1088
Travelers Rest, SC 29690



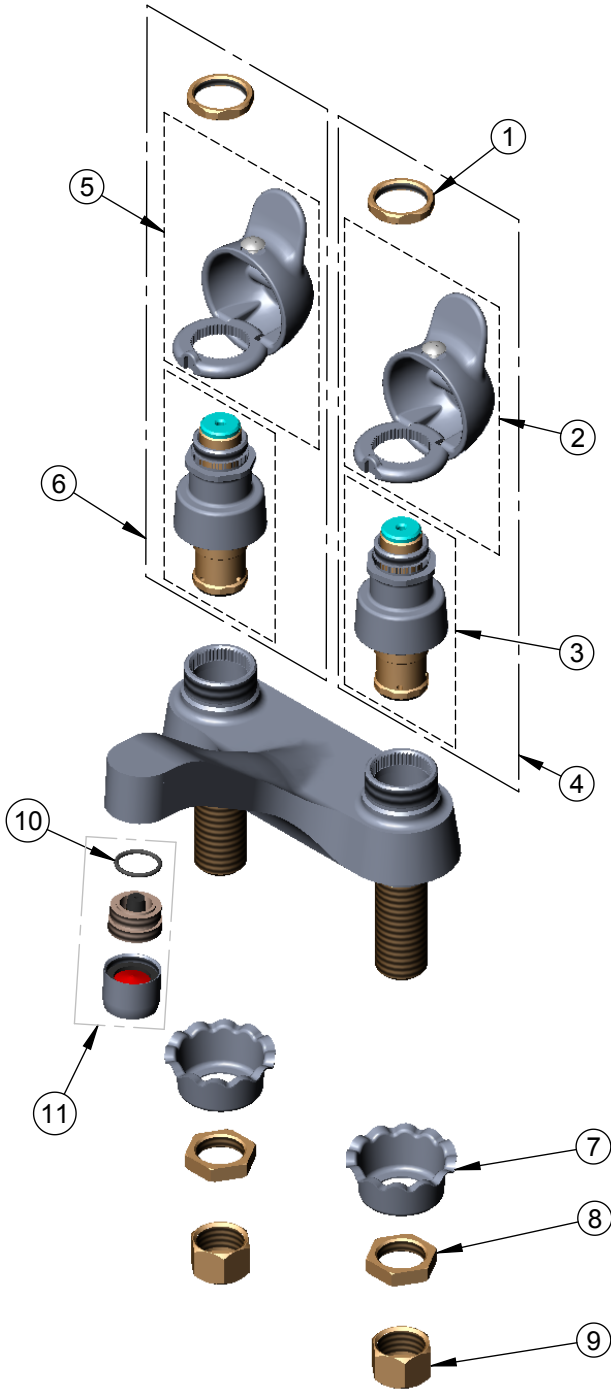
REG. #A2601
ISO #9001

Model No.

B-0831-02-PA

Item No.

Travelers Rest, SC: 800-476-4103 Simi Valley, CA: 800-423-0150 Fax: 864-834-3518 www.tsbrass.com



ITEM NO.	SALES NO.	DESCRIPTION
1	PA-N	Retaining Nut
2	PA-C	Cold Pivot Action Handle Assembly w/ Retaining Nut and Spanner Bit
3	238A-PA	Pivot Action Metering Cartridge w/ Retaining nut
4	238AC-PA	Pivot Action Metering Cartridge w/ Cold Pivot Action Handle, Retaining Nut and Spanner Bit
5	PA-H	Hot Pivot Action Handle Assembly w/ Retaining Nut and Spanner Bit
6	238AH-PA	Pivot Action Metering Cartridge w/ Hot Pivot Action Handle, Retaining Nut and Spanner Bit
7	001000-45	Rosette Washer
8	002954-45	Shank Lock Nut
9	000958-20	Coupling Nut
10	001079-45	-016 O-ring
11	B-0199-03F-05	0.4 GPM Flow Control Aerator Assembly



Spanner Bit for
Vandal Resistant Screw
014734-45



Pivot Action Handle
Vandal Resistant Screw
016654-45

Product Specifications:

**4" Centerset Metering & Mixing Faucet with
Pivot Action Metering Cartridges and
0.4 GPM Flow Control Aerator**

Drawn GEF	Checked ARH	Approved JHB
Scale: NTS		Date: 01/23/08