



# T&S BRASS AND BRONZE WORKS, INC.

2 Saddleback Cove / P.O. Box 1088  
Travelers Rest, SC 29690



REG. #A2601  
ISO #9001

Model No.  
**B-0831-PA**

Item No.

Travelers Rest, SC: 800-476-4103 Simi Valley, CA: 800-423-0150 Fax: 864-834-3518 www.tsbrass.com

This Space for Architect/Engineer Approval

Job Name \_\_\_\_\_ Date \_\_\_\_\_

Model Specified \_\_\_\_\_ Quantity \_\_\_\_\_

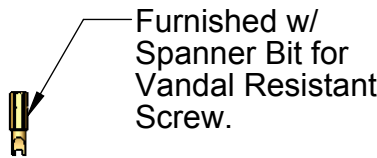
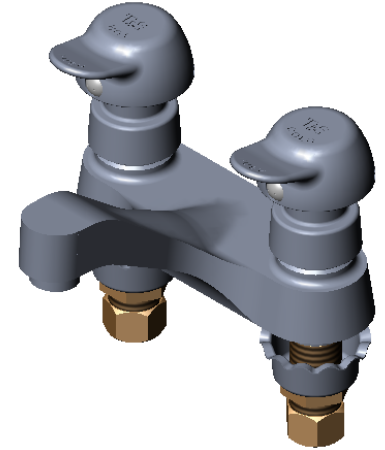
Customer/Wholesaler \_\_\_\_\_

Contractor \_\_\_\_\_

Architect/Engineer \_\_\_\_\_



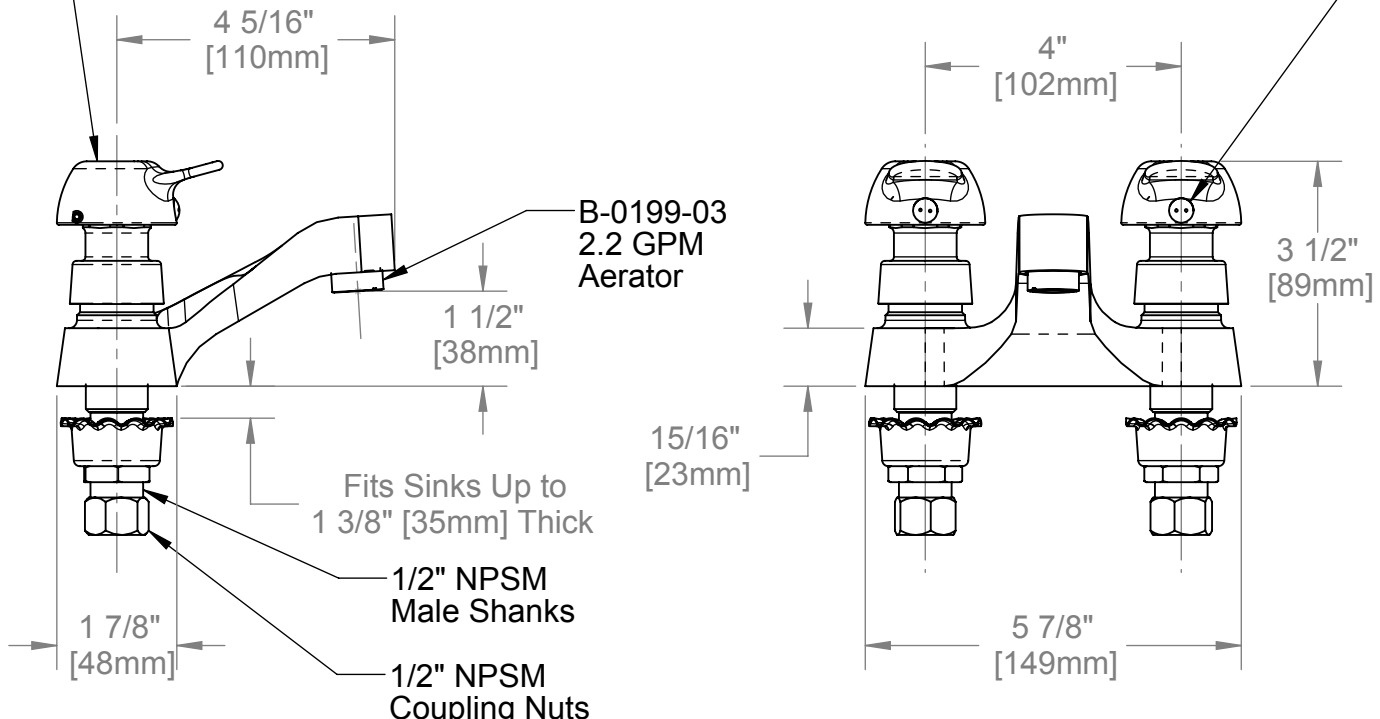
**ADA Compliant**



Furnished w/  
Spanner Bit for  
Vandal Resistant  
Screw.

Vandal Resistant Screw.  
Loosen Screw (Do Not  
Remove) and Flip Handle  
Up to Access Metering  
Adjustment.  
(Metering Adjustment  
Requires 3/32" Hex Key)

238AH-PA (Hot Side)  
238AC-PA (Cold Side)  
Pivot Action  
Metering Cartridges  
w/ Hot & Cold Handles and  
Vandal Resistant Screws



Rough-In:  $\phi$  1 1/8" Holes

Product Specifications:

**Centerset Metering & Mixing Faucet with  
Pivot Action Metering Cartridges and 2.2 GPM Aerator**

Drawn <b>GEF</b>	Checked <b>ARH</b>	Approved <b>JHB</b>
---------------------	-----------------------	------------------------

Scale: <b>NTS</b>
----------------------

Date: <b>01/23/08</b>
--------------------------



**T&S BRASS AND BRONZE WORKS, INC.**

2 Saddleback Cove / P.O. Box 1088  
Travelers Rest, SC 29690



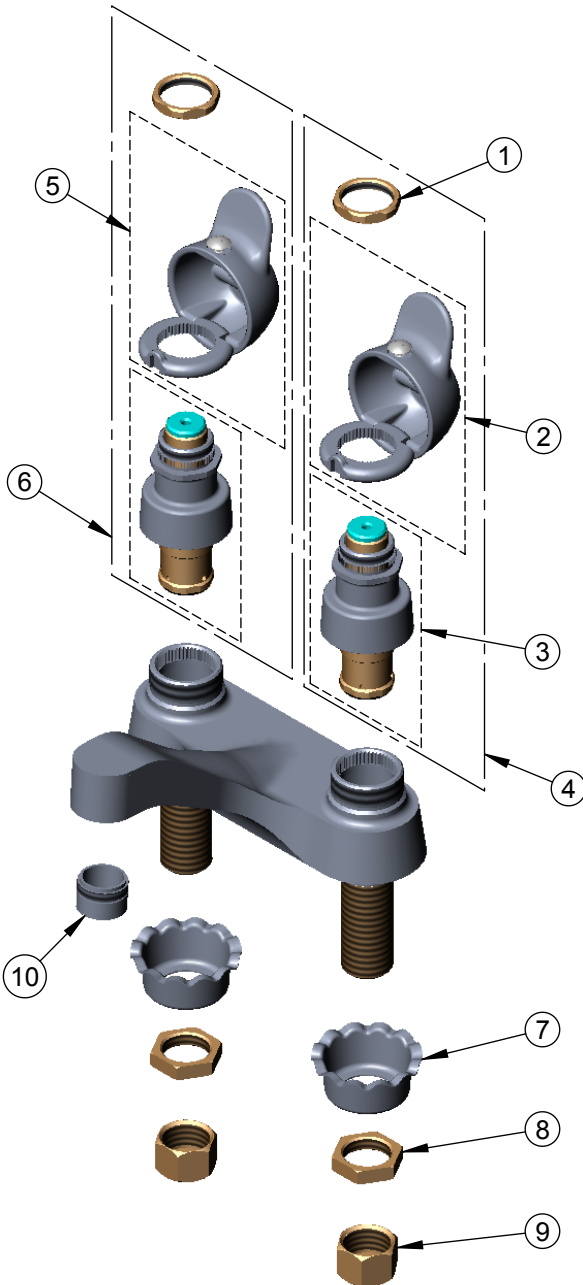
REG. #A2601  
ISO #9001

Model No.

**B-0831-PA**

Item No.

Travelers Rest, SC: 800-476-4103 Simi Valley, CA: 800-423-0150 Fax: 864-834-3518 www.tsbrass.com



ITEM NO.	SALES NO.	DESCRIPTION
1	PA-N	Retaining Nut
2	PA-C	Cold Pivot Action Handle Assembly w/ Retaining Nut and Spanner Bit
3	238A-PA	Pivot Action Metering Cartridge w/ Retaining nut
4	238AC-PA	Pivot Action Metering Cartridge w/ Cold Pivot Action Handle, Retaining Nut and Spanner Bit
5	PA-H	Hot Pivot Action Handle Assembly w/ Retaining Nut and Spanner Bit
6	238AH-PA	Pivot Action Metering Cartridge w/ Hot Pivot Action Handle, Retaining Nut and Spanner Bit
7	001000-45	Rosette Washer
8	002954-45	Shank Lock Nut
9	000958-20	Coupling Nut
10	B-0199-03	2.2 GPM Aerator



Spanner Bit for  
Vandal Resistant Screw  
014734-45



Pivot Action Handle  
Vandal Resistant Screw  
016654-45

Product Specifications:

Centerset Metering & Mixing Faucet with  
Pivot Action Metering Cartridges and 2.2 GPM Aerator

Drawn <b>GEF</b>	Checked <b>ARH</b>	Approved <b>JHB</b>
Scale: <b>NTS</b>		Date: <b>01/23/08</b>