



T&S BRASS AND BRONZE WORKS, INC.

2 Saddleback Cove / P.O. Box 1088
Travelers Rest, SC 29690



REG. #A2601
ISO #9001

Model No.
B-0833-01

Item No.

Travelers Rest, SC: 800-476-4103 Simi Valley, CA: 800-423-0150 Fax: 864-834-3518 www.tsbrass.com

This Space for Architect/Engineer Approval

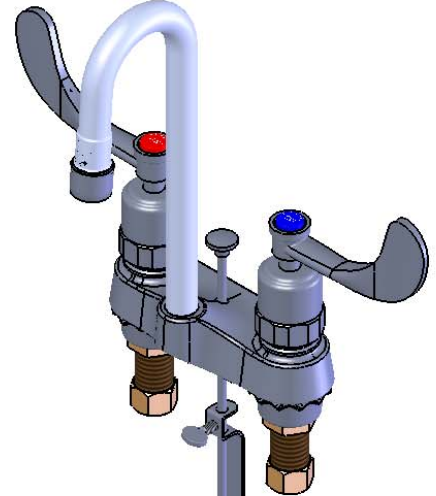
Job Name _____ Date _____

Model Specified _____ Quantity _____

Customer/Wholesaler _____

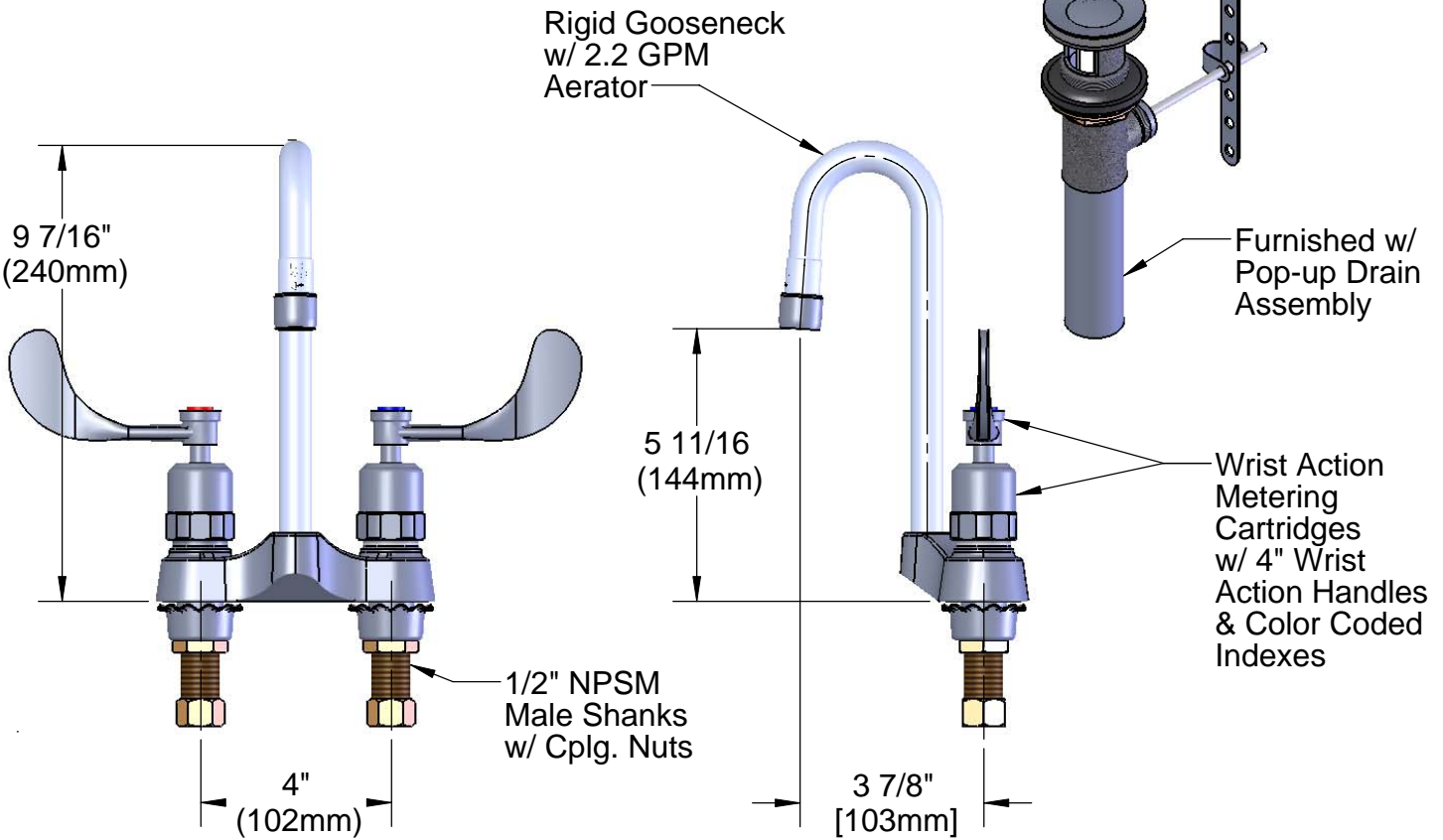
Contractor _____

Architect/Engineer _____



Variations or Applicable Options:

-B-0199-21 2.2 GPM Laminar Flow Outlet



Rough-in: ϕ 1-1/8" Holes

Product Specifications:

4" Centerset Mixing Faucet w/ 1/2" NPSM Male Shanks, Wrist Action Metering Cartridges, 4" Wrist Action Handles, Rigid Gooseneck, 2.2 GPM Aerator

Drawn DMH	Checked GEF	Approved JHB
Scale: 1:4		Date: 10/03/08



T&S BRASS AND BRONZE WORKS, INC.

2 Saddleback Cove / P.O. Box 1088
Travelers Rest, SC 29690

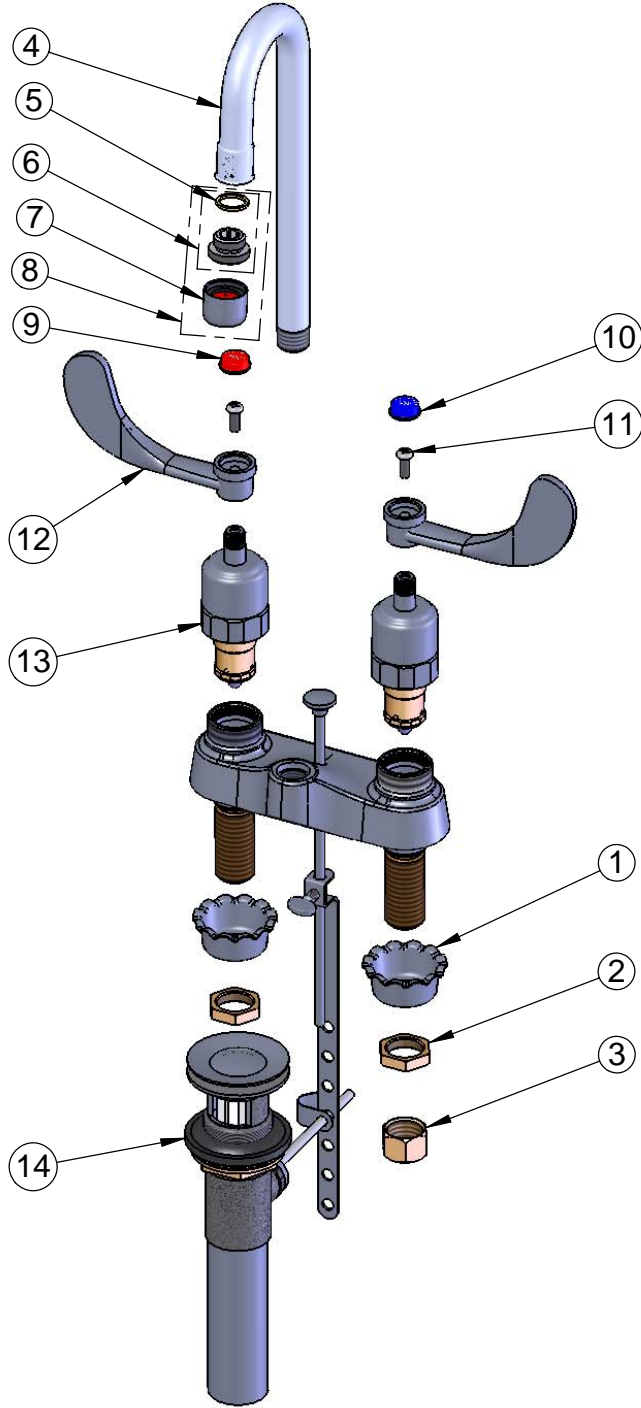


REG. #A2601
ISO #9001

Model No.
B-0833-01

Item No.

Travelers Rest, SC: 800-476-4103 Simi Valley, CA: 800-423-0150 Fax: 864-834-3518 www.tsbrass.com



ITEM NO.	SALES NO.	DESCRIPTION
1	001000-45	Rosette Washer
2	002954-45	Shank Lock Nut
3	000958-20	Coupling Nut
4	000393-40	Rigid Gooseneck
5	001043-45	Washer
6	044A	3/8" TO Aerator Adapter
7	B-0199-01	2.2 GPM Aerator, Female
8	B-0199-02	Aerator, 2/2 GPM, 3/8" NPSM
9	001194-45	Red HW Index
10	001686-45	Blue CW Index
11	000925-45	Lab Handle Screw
12	B-WH4	4" Wrist Action Handle
13	012449-40	Wrist Action Metering Cartridge Asm
14	B-0898	Pop-Up

Product Specifications:

4" Centerset Mixing Faucet w/ 1/2" NPSM Male Shanks,
Wrist Action Metering Cartridges, 4" Wrist Action Handles,
Rigid Gooseneck, 2.2 GPM Aerator

Drawn DMH	Checked GEF	Approved JHB
Scale: 1:4		Date: 10/03/08