



# T&S BRASS AND BRONZE WORKS, INC.

2 Saddleback Cove / P.O. Box 1088  
Travelers Rest, SC 29690



REG. #A2601  
ISO #9001

Model No.  
**B-0834**

Item No.

Travelers Rest, SC: 800-476-4103 Simi Valley, CA: 800-423-0150 Fax: 864-834-3518 www.tsbrass.com

This Space for Architect/Engineer Approval

Job Name \_\_\_\_\_ Date \_\_\_\_\_

Model Specified \_\_\_\_\_ Quantity \_\_\_\_\_


Customer/Wholesaler \_\_\_\_\_

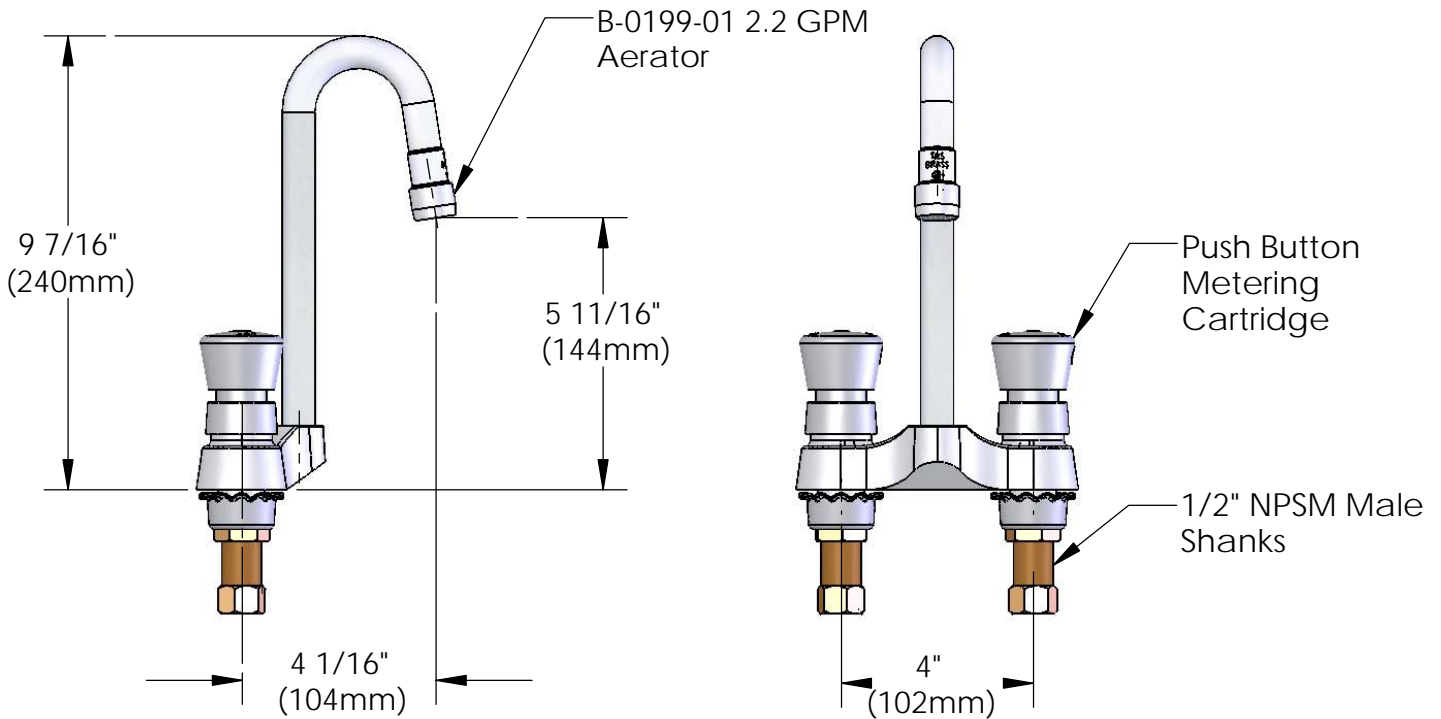
Contractor \_\_\_\_\_

Architect/Engineer \_\_\_\_\_

Variations or Applicable Options:  
-B-0199-21 2.2 GPM Laminar Flow Outlet



 — Furnished w/ Spanner Bit for Flow Duration Adjustment



Product Specifications:  
4" Centerset Mixing Faucet, 1/2" NPSM Male Shanks,  
Push Button Metering Cartridges, Rigid Gooseneck,  
2.2 GPM Aerator

|               |                |                    |
|---------------|----------------|--------------------|
| Drawn<br>WJS  | Checked<br>JRM | Approved<br>JHB    |
| Scale:<br>1:4 |                | Date:<br>3/13/2006 |



**T&S BRASS AND BRONZE WORKS, INC.**  
 2 Saddleback Cove / P.O. Box 1088  
 Travelers Rest, SC 29690



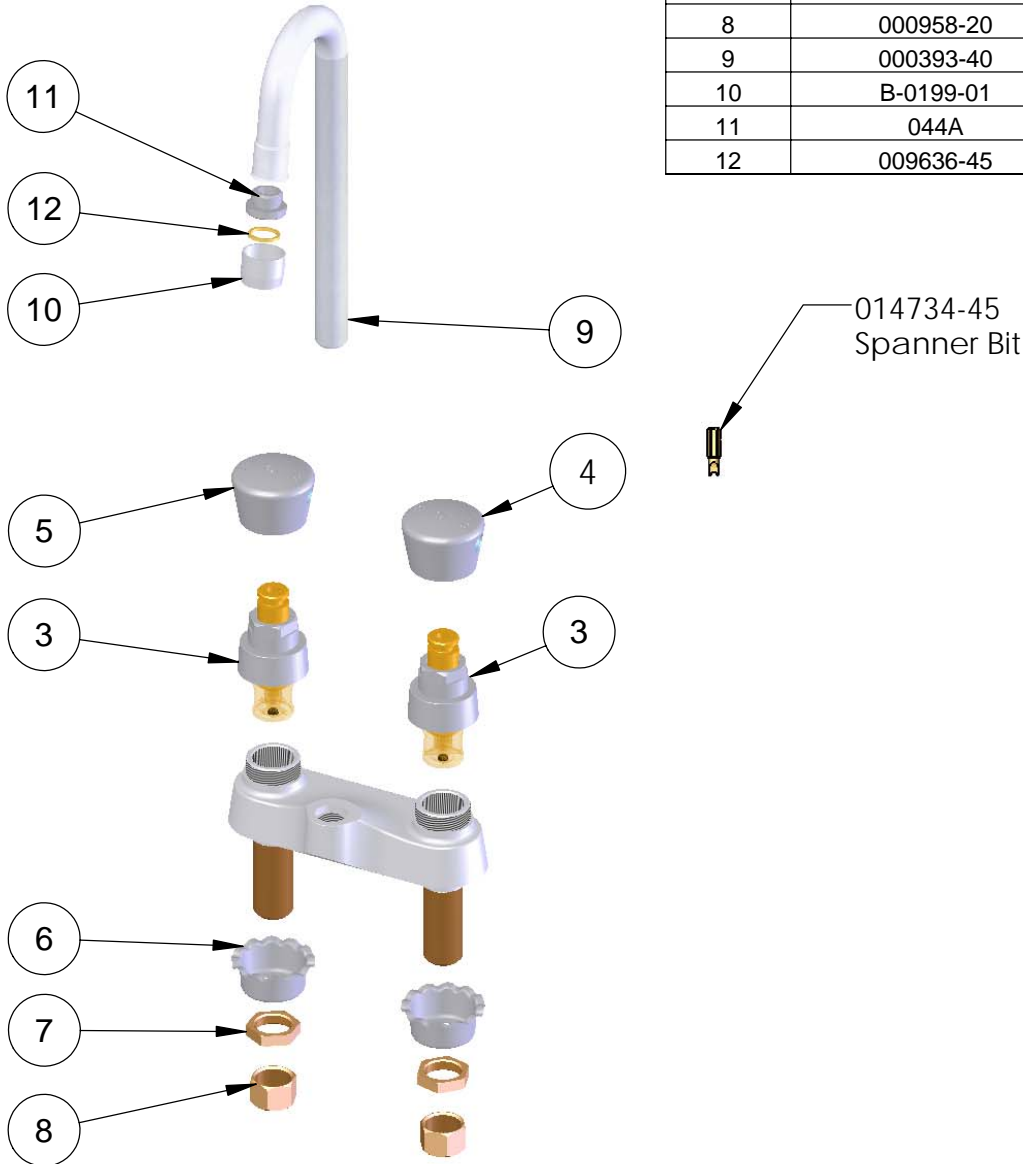
REG. #A2601  
 ISO #9001

Model No.  
**B-0834**

Item No.

Travelers Rest, SC: 800-476-4103 Simi Valley, CA: 800-423-0150 Fax: 864-834-3518 www.tsbrass.com

| Item No. | Sales No. | Description               |
|----------|-----------|---------------------------|
| 1        | 010963-40 | 4" Centerset Body         |
| 3        | 238A      | Push Button Metering Ctg. |
| 4        | 014195-40 | Cold Cap Assembly         |
| 5        | 014194-40 | Hot Cap Assembly          |
| 6        | 001000-45 | Rosette Washer            |
| 7        | 002954-45 | Shank Lock Nut            |
| 8        | 000958-20 | Coupling Nut              |
| 9        | 000393-40 | Rigid Gooseneck           |
| 10       | B-0199-01 | 2.2 GPM Aerator           |
| 11       | 044A      | 3/8" to Aer. Adapter      |
| 12       | 009636-45 | Washer                    |



Product Specifications:

4" Centerset Mixing Faucet, 1/2" NPSM Male Shanks,  
 Push Button Metering Cartridges, Rigid Gooseneck,  
 2.2 GPM Aerator

|               |                |                    |
|---------------|----------------|--------------------|
| Drawn<br>WJS  | Checked<br>JRM | Approved<br>JHB    |
| Scale:<br>1:4 |                | Date:<br>3/13/2006 |