



T&S BRASS AND BRONZE WORKS, INC.

2 Saddleback Cove / P.O. Box 1088
Travelers Rest, SC 29690



REG. #A2601
ISO #9001

Model No.
B-0842

Item No.

Travelers Rest, SC: 800-476-4103 Simi Valley, CA: 800-423-0150 Fax: 864-834-3518 www.tsbrass.com

This Space for Architect/Engineer Approval

Job Name _____ Date _____

Model Specified _____ Quantity _____

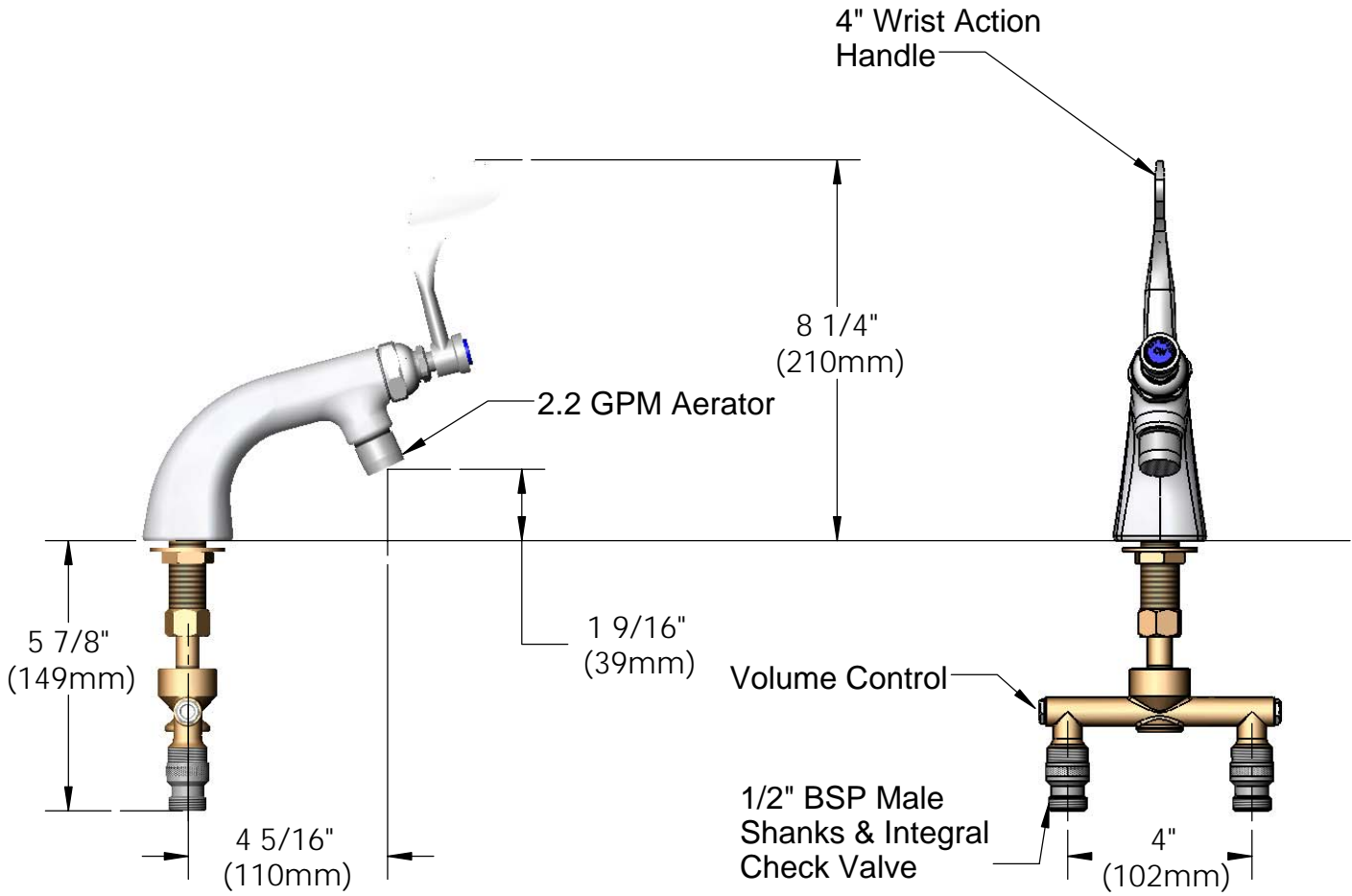
Customer/Wholesaler _____

Contractor _____

Architect/Engineer _____

Variations or Applicable Options:

- WH6 6" Wrist Action Handles
- 177F Lever Handles
- 175F 4-Arm Kitchen Handles



Product Specifications:
Single Temperature Deck Mount Faucet, Undercounter Spreader, Check Valves, Eterna Cartridge, 4" Wrist Action Handle, 2.2 GPM Aerator

Drawn WJS	Checked JRM	Approved JHB
Scale: 1:4		Date: 3/13/2006



T&S BRASS AND BRONZE WORKS, INC.
 2 Saddleback Cove / P.O. Box 1088
 Travelers Rest, SC 29690

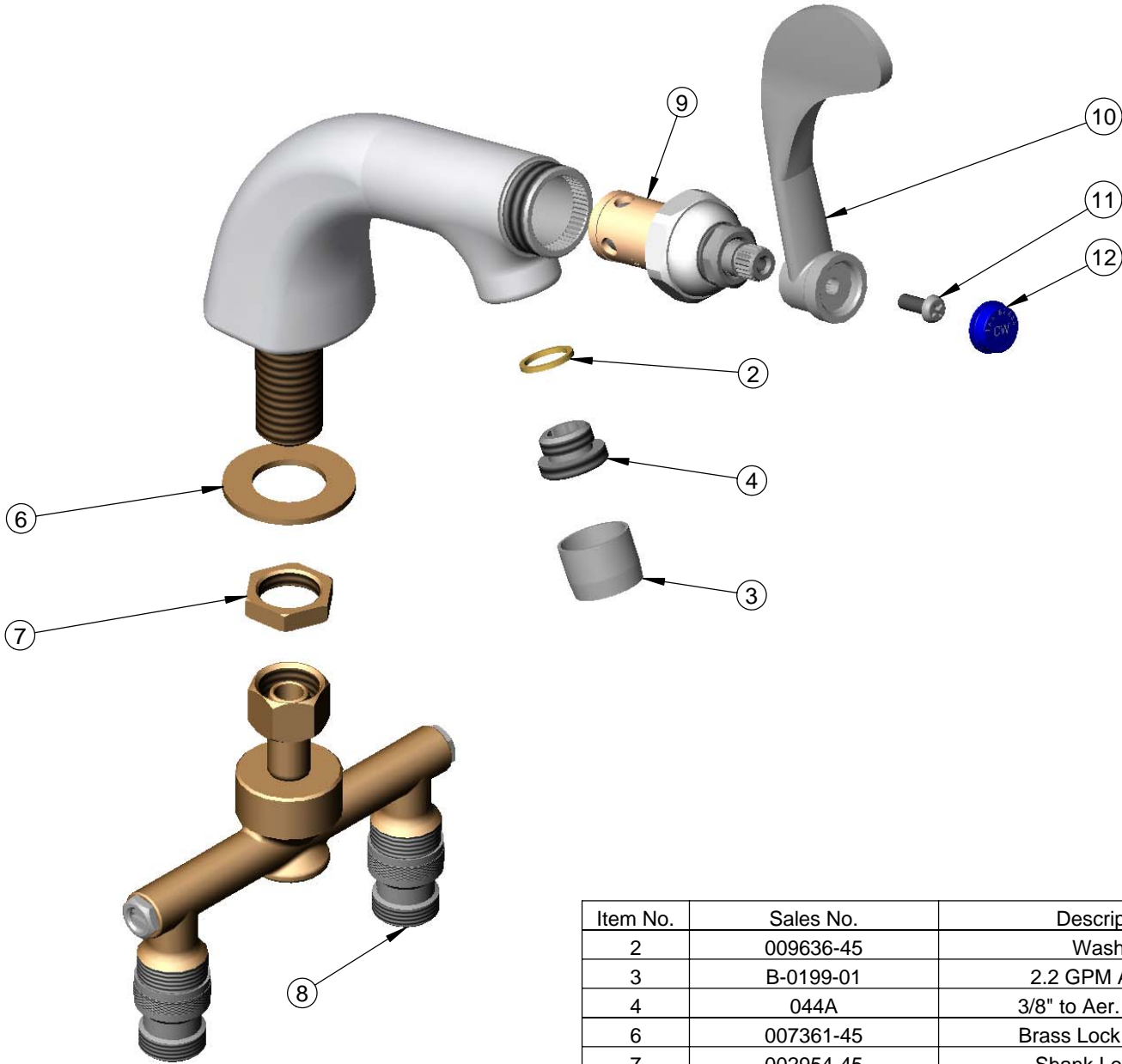


REG. #A2601
 ISO #9001

Model No.
B-0842

Item No.

Travelers Rest, SC: 800-476-4103 Simi Valley, CA: 800-423-0150 Fax: 864-834-3518 www.tsbrass.com



Item No.	Sales No.	Description
2	009636-45	Washer
3	B-0199-01	2.2 GPM Aerator
4	044A	3/8" to Aer. Adapter
6	007361-45	Brass Lock Washer
7	002954-45	Shank Lock Nut
8	012744-40	B-0173 Spreader
9	006010-40	Hot Spindle Asm
10	B-WH4	4" Wrist Action Handle
11	000925-45	Lab Handle Screw
12	001686-45	Blue CW Index

Product Specifications:

Single Temperature Deck Mount Faucet, Undercounter Spreader, Check Valves, Eterna Cartridge, 4" Wrist Action Handle, 2.2 GPM Aerator

Drawn WJS	Checked JRM	Approved JHB
Scale: 1:2		Date: 3/13/2006