



# T&S BRASS AND BRONZE WORKS, INC.

2 Saddleback Cove / P.O. Box 1088  
Travelers Rest, SC 29690



REG. #A2601  
ISO #9001

Model No.  
**B-0874-133X**

Item No.

Travelers Rest, SC: 800-476-4103 Simi Valley, CA: 800-423-0150 Fax: 864-834-3518 www.tsbrass.com

This Space for Architect/Engineer Approval

Job Name \_\_\_\_\_ Date \_\_\_\_\_

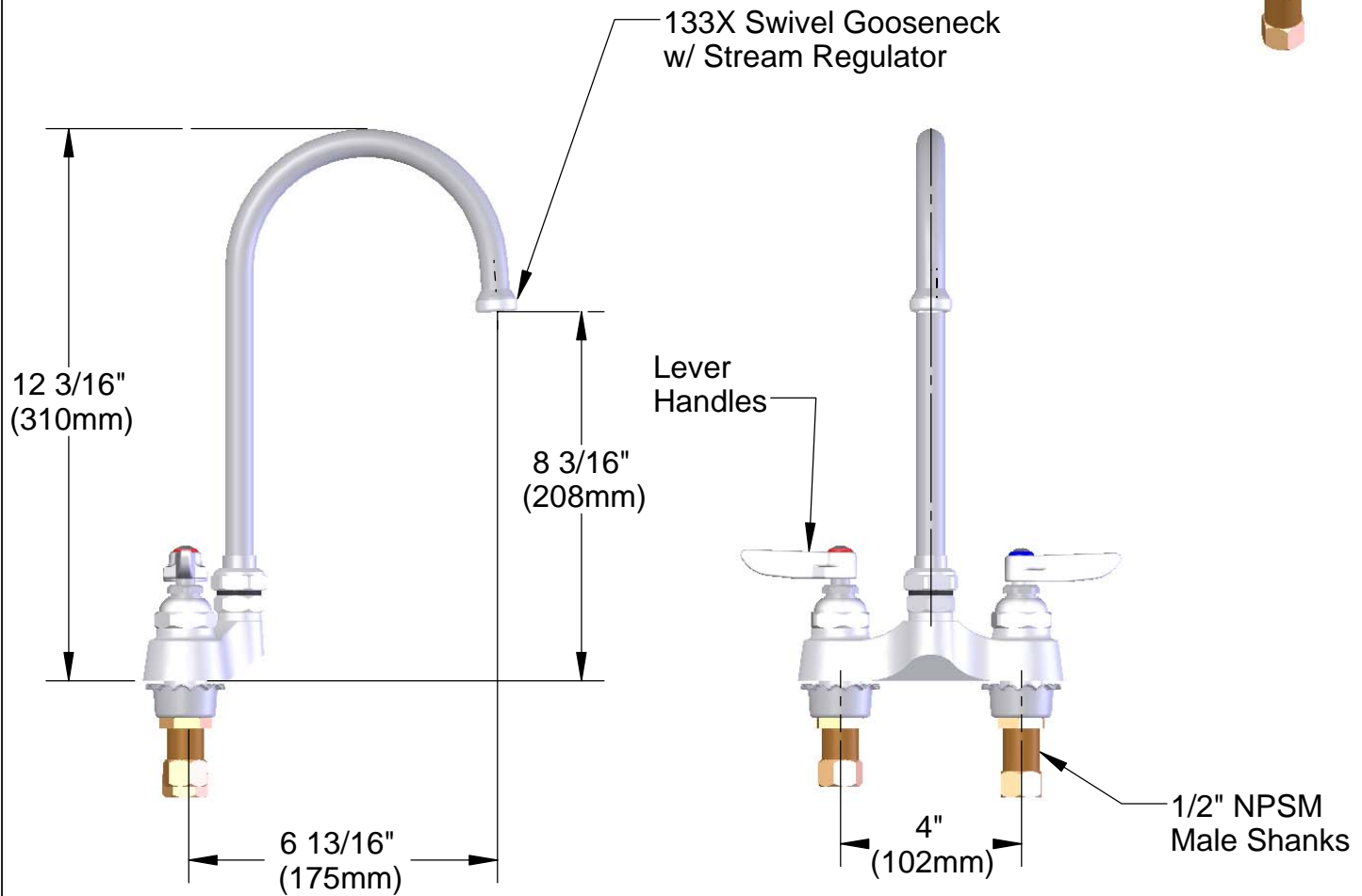
Model Specified \_\_\_\_\_ Quantity \_\_\_\_\_

Customer/Wholesaler \_\_\_\_\_

Contractor \_\_\_\_\_

Architect/Engineer \_\_\_\_\_

- Variations or Applicable Options:
- WH6      6" Wrist Action Handles
  - 177F     Lever Handles
  - 175F     4-Arm Kitchen Handles



Product Specifications:  
4" Centerset Mixing Faucet w/ 1/2" NPSM Male Shanks,  
Eterna Cartridges, Lever Handles,  
Swivel Gooseneck, & Stream Regulator

Drawn WJS	Checked JRM	Approved JHB
Scale: 1:4		Date: 3/13/2006



**T&S BRASS AND BRONZE WORKS, INC.**

2 Saddleback Cove / P.O. Box 1088  
Travelers Rest, SC 29690



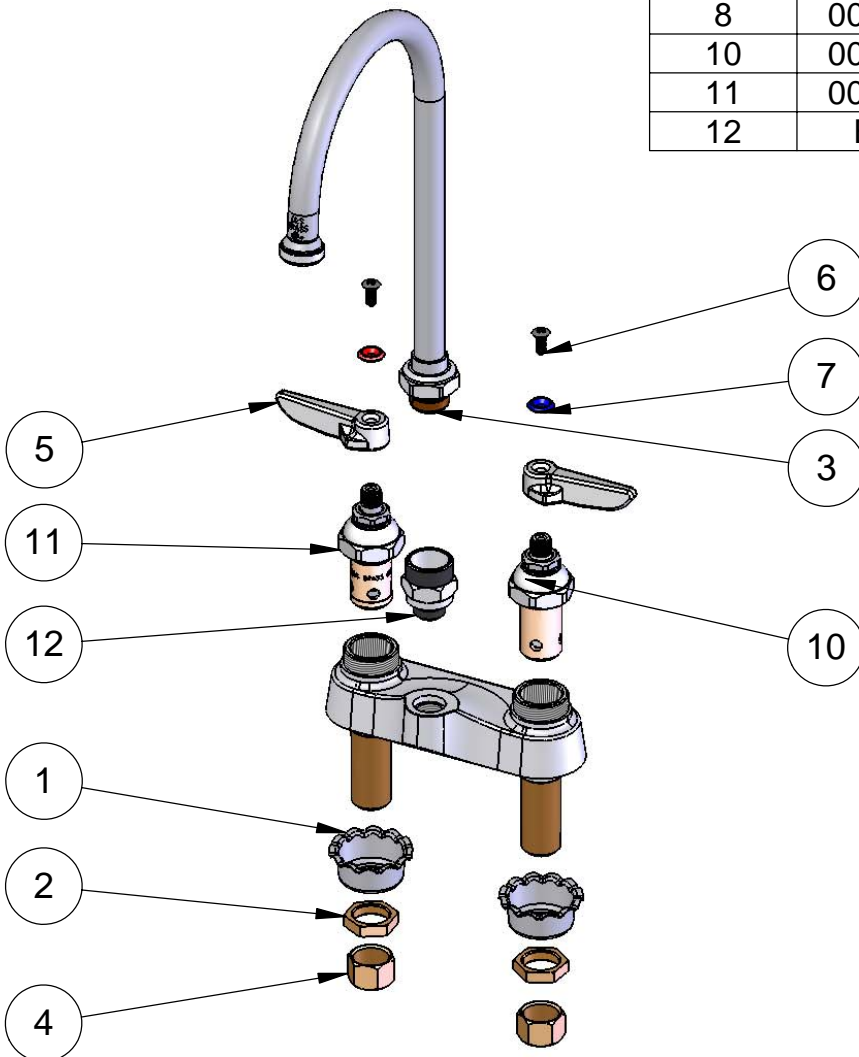
REG. #A2601  
ISO #9001

Model No.  
**B-0874-133X**

Item No.

Travelers Rest, SC: 800-476-4103 Simi Valley, CA: 800-423-0150 Fax: 864-834-3518 www.tsbrass.com

ITEM NO.	SALES NO.	DESCRIPTION
1	001000-45	Rosette Washer
2	002954-45	Shank Lock Nut
3	133X	133X Swivel Gooseneck
4	000958-20	Coupling Nut
5	177F	Lever Handle
6	000922-45	Lever Handle Screw
7	001660-45	Blue Index-CW
8	001661-45	Red Index-HW
10	006009-40	Cold Spindle Asm
11	006010-40	Hot Spindle Asm
12	B-0412	Rigid to Swivel Adapter



Product Specifications:

4" Centerset Mixing Faucet w/ 1/2" NPSM Male Shanks, Eterna Cartridges, Lever Handles, Swivel Gooseneck, & Stream Regulator

Drawn WJS	Checked JRM	Approved JHB
Scale: 1:4		Date: 3/13/2006