



T&S BRASS AND BRONZE WORKS, INC.

2 Saddleback Cove / P.O. Box 1088
Travelers Rest, SC 29690



REG. #A2601
ISO #9001

Model No.
B-0892-01

Item No.

Travelers Rest, SC: 800-476-4103 Simi Valley, CA: 800-423-0150 Fax: 864-834-3518 www.tsbrass.com

This Space for Architect/Engineer Approval

Job Name _____ Date _____

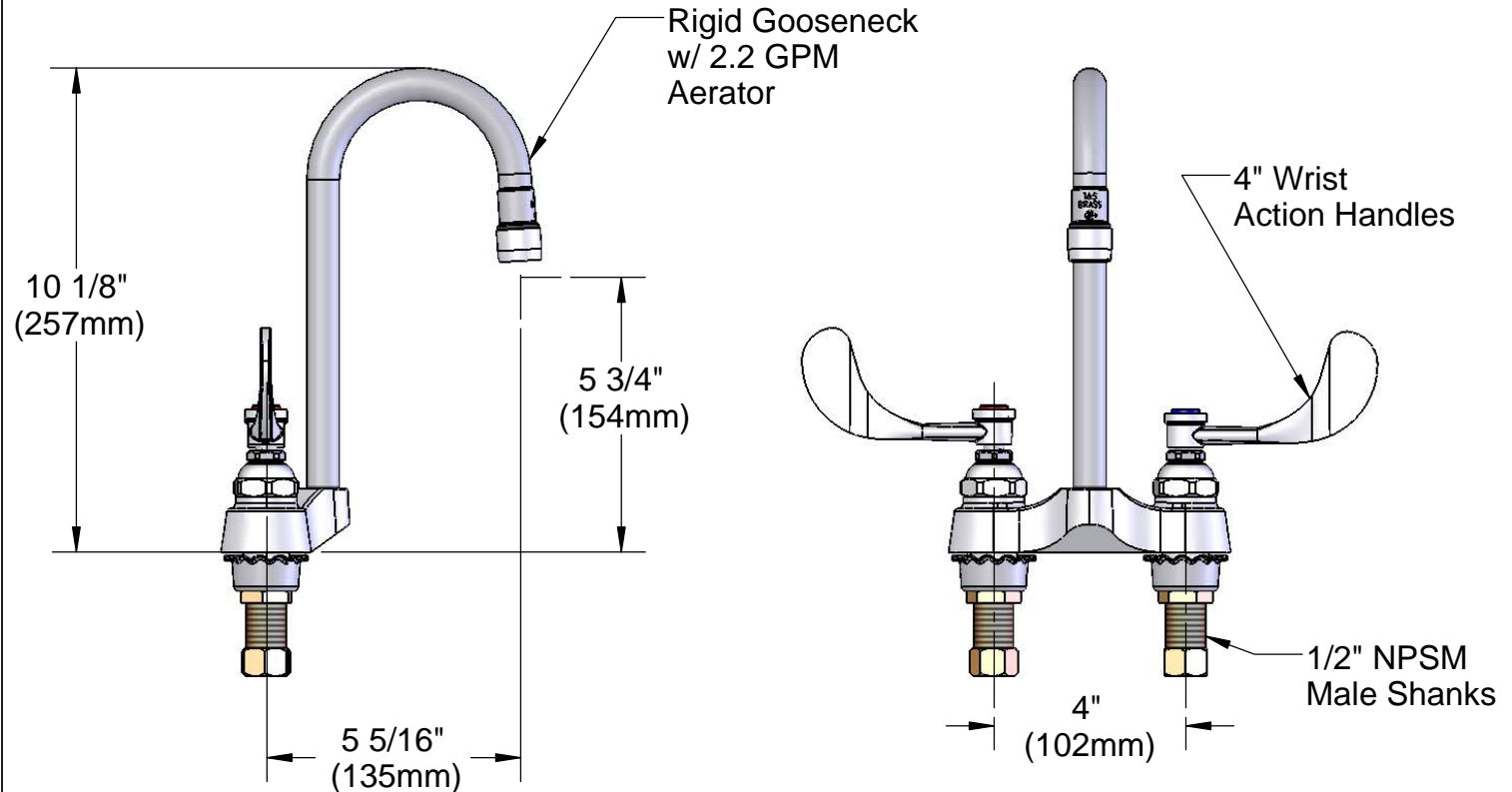
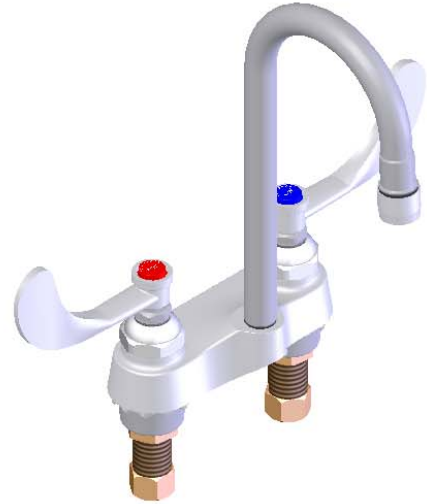
Model Specified _____ Quantity _____

Customer/Wholesaler _____

Contractor _____

Architect/Engineer _____

- Variations or Applicable Options:
- WH6 6" Wrist Action Handles
 - 177F Lever Handles
 - 175F 4-Arm Kitchen Handles



| | | | |
|--|---------------|----------------|--------------------|
| Product Specifications: 4" Centerset Mixing Faucet w/ 1/2" NPSM Male Shanks, Eterna Cartridges, 4" Wrist Action Handles, Rigid Gooseneck, & 2.2 GPM Aerator | Drawn WJS | Checked JRM | Approved JHB |
| | Scale: 1:4 | | Date: 3/13/2006 |



T&S BRASS AND BRONZE WORKS, INC.

2 Saddleback Cove / P.O. Box 1088
Travelers Rest, SC 29690

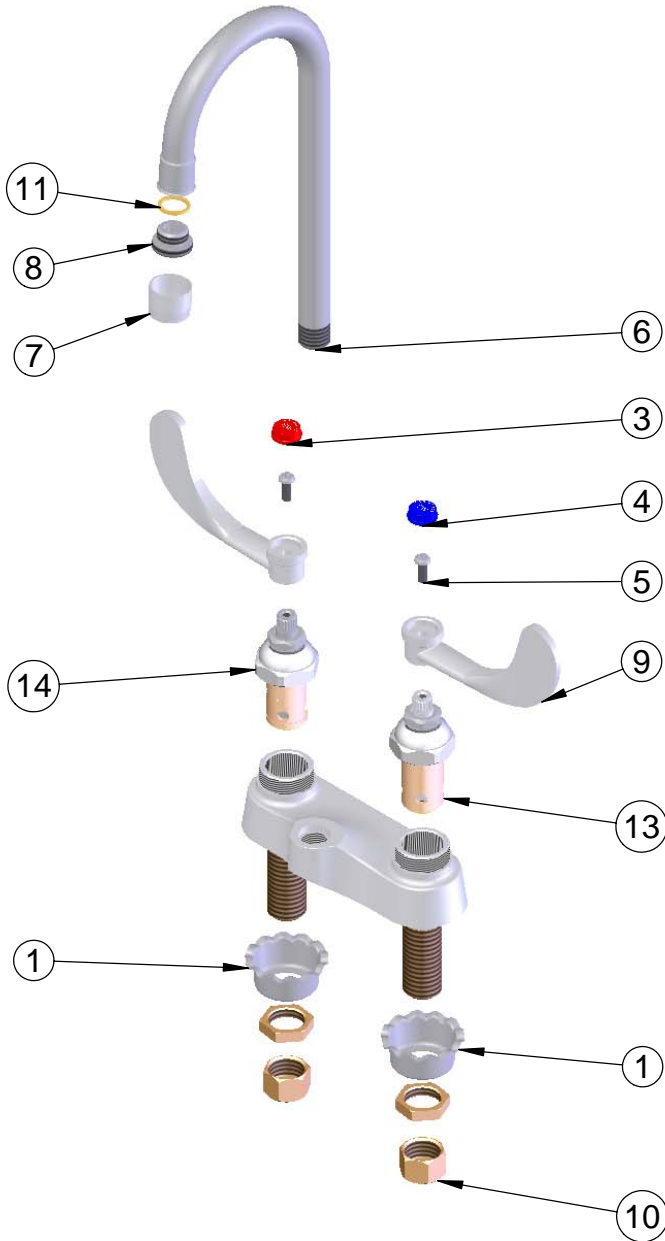


REG. #A2601
ISO #9001

Model No.
B-0892-01

Item No.

Travelers Rest, SC: 800-476-4103 Simi Valley, CA: 800-423-0150 Fax: 864-834-3518 www.tsbrass.com



| ITEM NO. | SALES NO. | DESCRIPTION |
|----------|-----------|------------------------|
| 1 | 001000-45 | Rosette Washer |
| 2 | 002954-45 | Shank Lock Nut |
| 3 | 001194-45 | Red HW Index |
| 4 | 001686-45 | Blue CW Index |
| 5 | 000925-45 | Lab Handle Screw |
| 6 | 002777-40 | Gooseneck |
| 7 | B-0199-01 | 2.2 GPM Aerator |
| 8 | 044A | GN to Aer. Adptr |
| 9 | B-WH4 | 4" Wrist Action Handle |
| 10 | 000958-20 | Coupling Nut |
| 11 | 009636-45 | Washer |
| 13 | 006009-40 | Cold Spindle Asm |
| 14 | 006010-40 | Hot Spindle Asm |

Product Specifications:

4" Centerset Mixing Faucet w/ 1/2" NPSM Male Shanks,
Eterna Cartridges, 4" Wrist Action Handles,
Rigid Gooseneck, & 2.2 GPM Aerator

| | | |
|---------------|----------------|--------------------|
| Drawn WJS | Checked JRM | Approved JHB |
| Scale: 1:4 | | Date: 3/13/2006 |