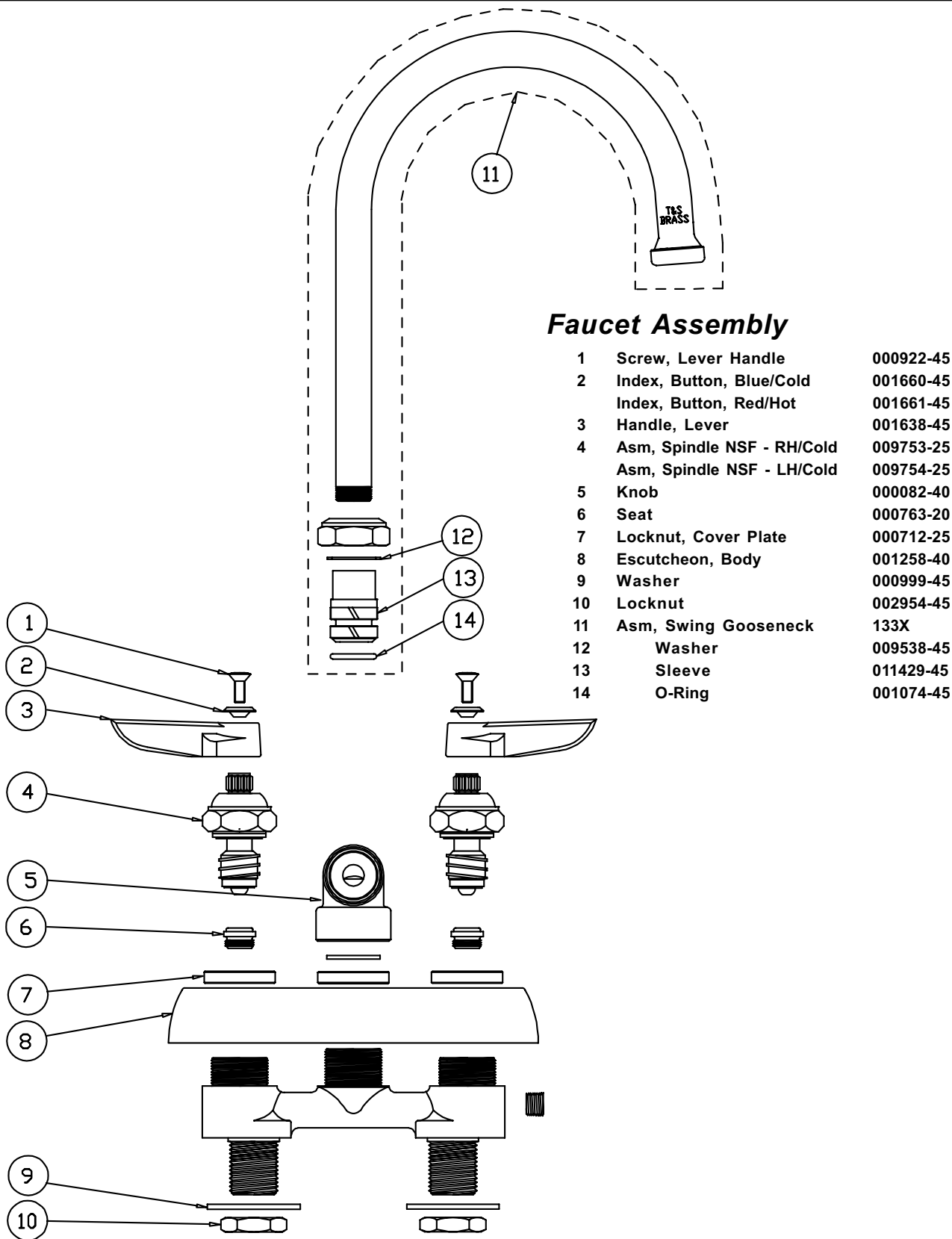


B-1145

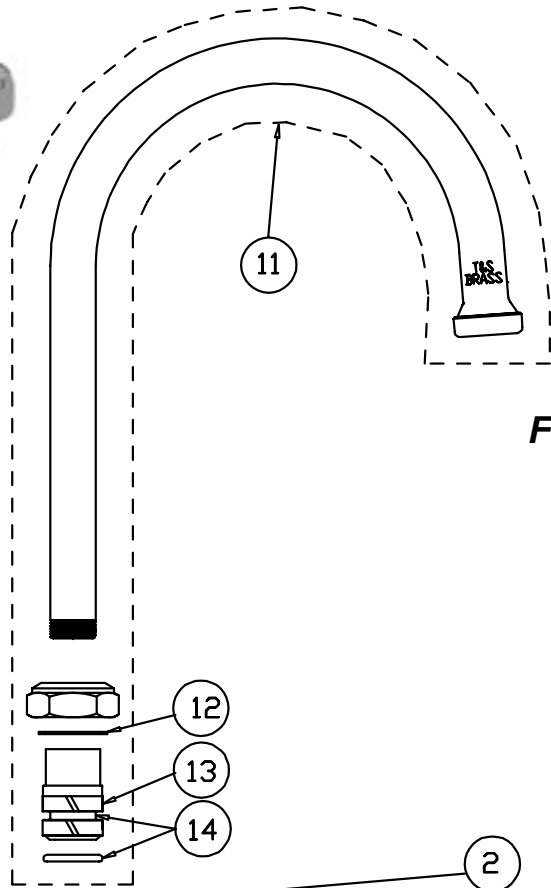


Faucet Assembly

- | | | |
|----|----------------------------|-----------|
| 1 | Screw, Lever Handle | 000922-45 |
| 2 | Index, Button, Blue/Cold | 001660-45 |
| | Index, Button, Red/Hot | 001661-45 |
| 3 | Handle, Lever | 001638-45 |
| 4 | Asm, Spindle NSF - RH/Cold | 009753-25 |
| | Asm, Spindle NSF - LH/Cold | 009754-25 |
| 5 | Knob | 000082-40 |
| 6 | Seat | 000763-20 |
| 7 | Locknut, Cover Plate | 000712-25 |
| 8 | Escutcheon, Body | 001258-40 |
| 9 | Washer | 000999-45 |
| 10 | Locknut | 002954-45 |
| 11 | Asm, Swing Gooseneck | 133X |
| 12 | Washer | 009538-45 |
| 13 | Sleeve | 011429-45 |
| 14 | O-Ring | 001074-45 |

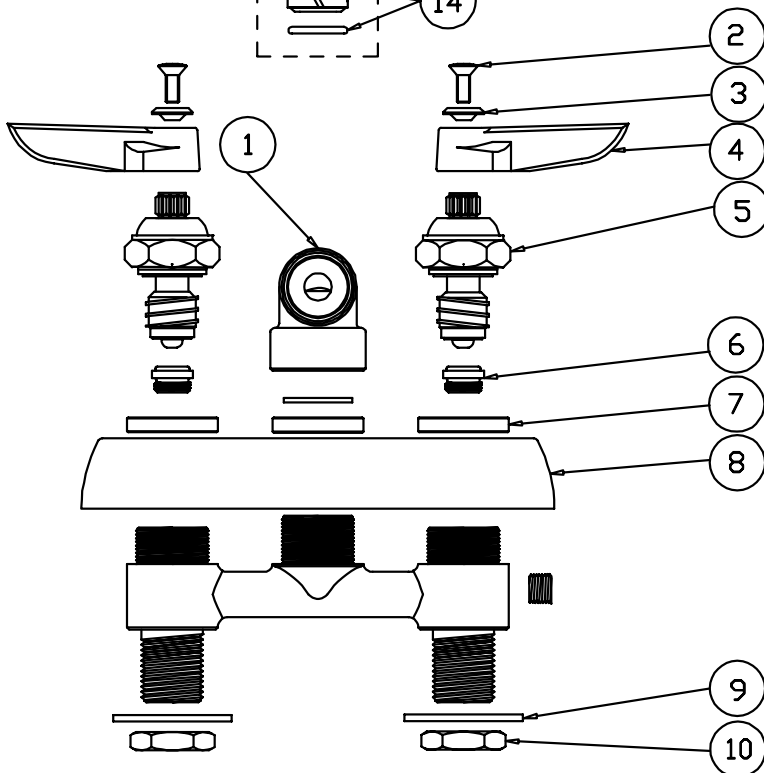


B-1146

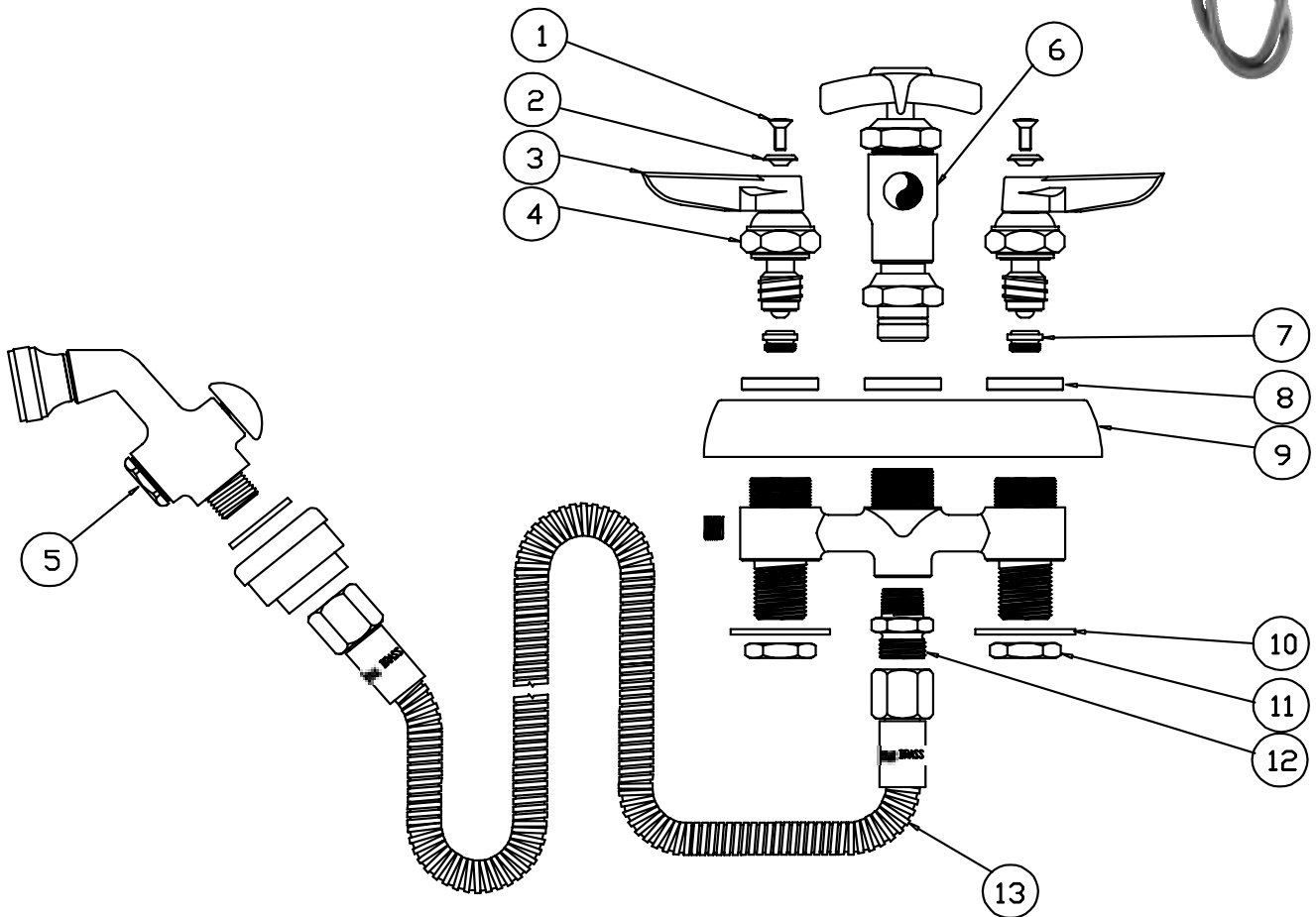


Faucet Assembly

1	Knob	000082-40
2	Screw, Lever Handle	000922-45
3	Index, Button, Blue/Cold	001660-45
	Index, Button, Red/Hot	001661-45
4	Handle, Lever	001638-45
5	Asm, Spindle NSF - RH/Cold	009753-25
	Asm, Spindle NSF - LH/Cold	009754-25
6	Seat	000763-20
7	Locknut, Cover Plate	000712-25
8	Escutcheon, Body	001258-40
9	Washer	000999-45
10	Locknut	002954-45
11	Asm, Swing Gooseneck	133X
12	Washer	009538-45
13	Sleeve	011429-45
14	O-Ring	001074-45



B-1151

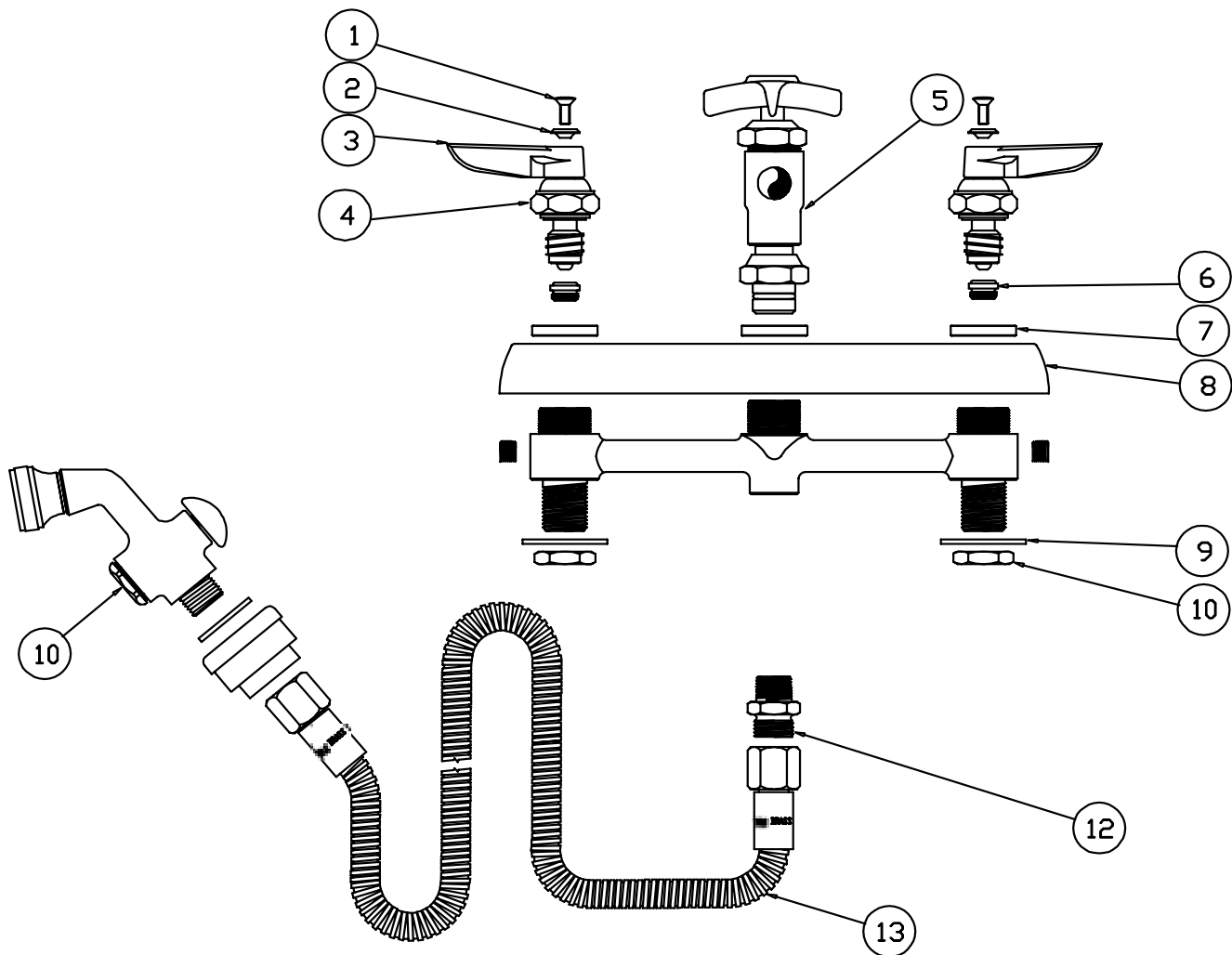


Faucet Assembly

1	Screw, Handle	000922-45
2	Index, Button, Blue/Cold	001660-45
	Index, Button, Red/Hot	001661-45
3	Handle, Lever	001638-45
4	Asm, Spindle NSF - Cold	009753-25
	Asm, Spindle NSF - Hot	009754-25
5	Asm, Spray Valve	002857-40
6	Asm, Diverter Valve	002878-40
7	Seat	000763-20
8	Nut, Cover Plate	000712-25
9	Escutcheon	001258-40
10	Washer	000999-45
11	Locknut	002954-45
12	Adapter, 3/8 Male x 3/4-14 Male	000545-25
13	Asm, Hose, Stainless Steel, 48"	013E-48



B-1152

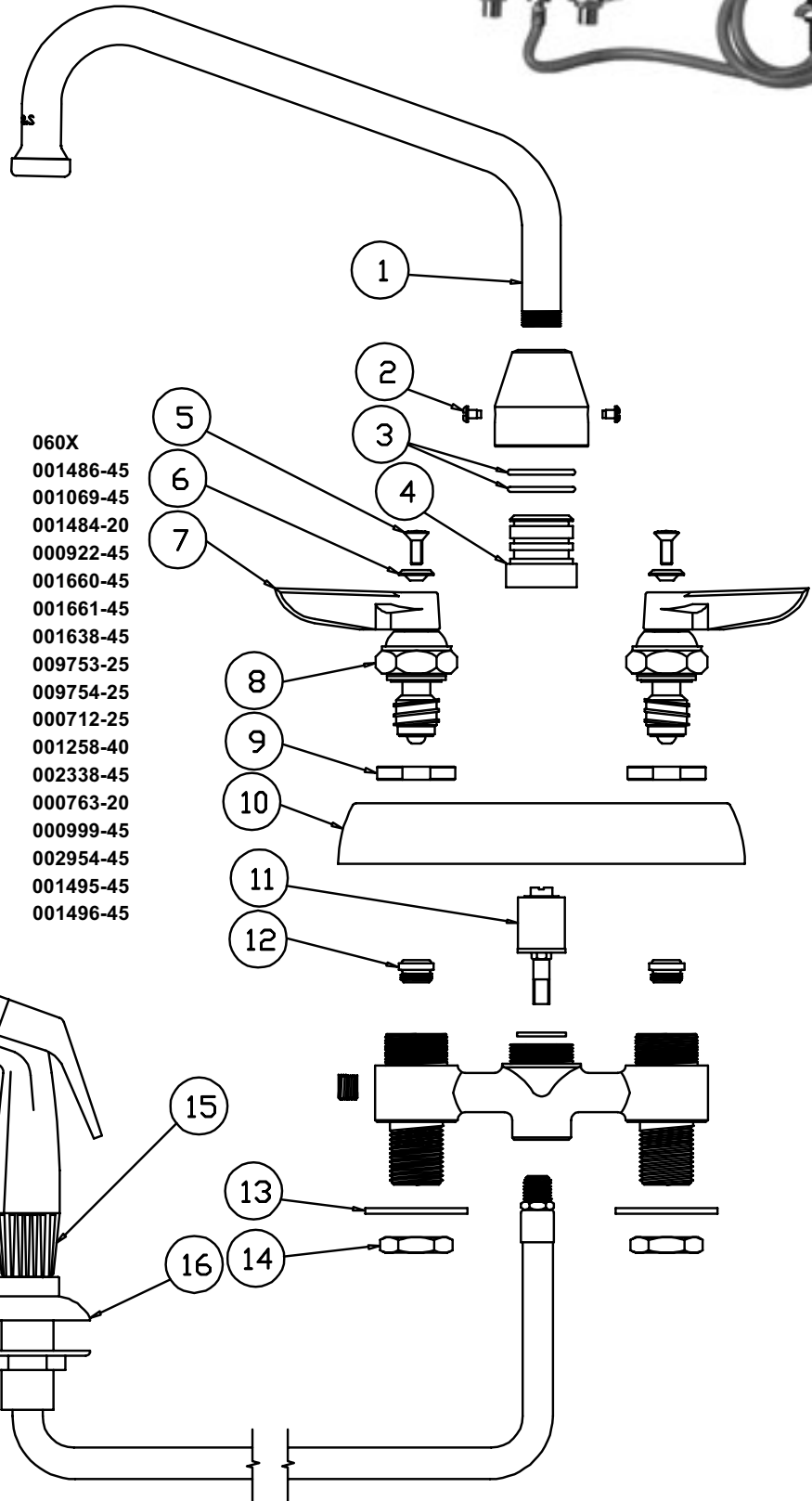


Faucet Assembly

1	Screw, Handle	000922-45
2	Index, Button, Blue/Cold	001660-45
	Index, Button, Red/Hot	001661-45
3	Handle, Lever	001638-45
4	Asm, Spindle NSF - Cold	009753-25
	Asm, Spindle NSF - Hot	009754-25
5	Asm, Diverter Valve	002878-40
6	Seat	000763-20
7	Nut, Cover Plate	000712-25
8	Escutcheon	001259-40
9	Washer	000999-45
10	Locknut	002954-45
11	Asm, Spray Valve	002857-40
12	Adapter, 3/8" Male x 3/4"-14 Male	000545-25
13	Asm, Hose, Stainless Steel, 48"	013E-48



B-1171



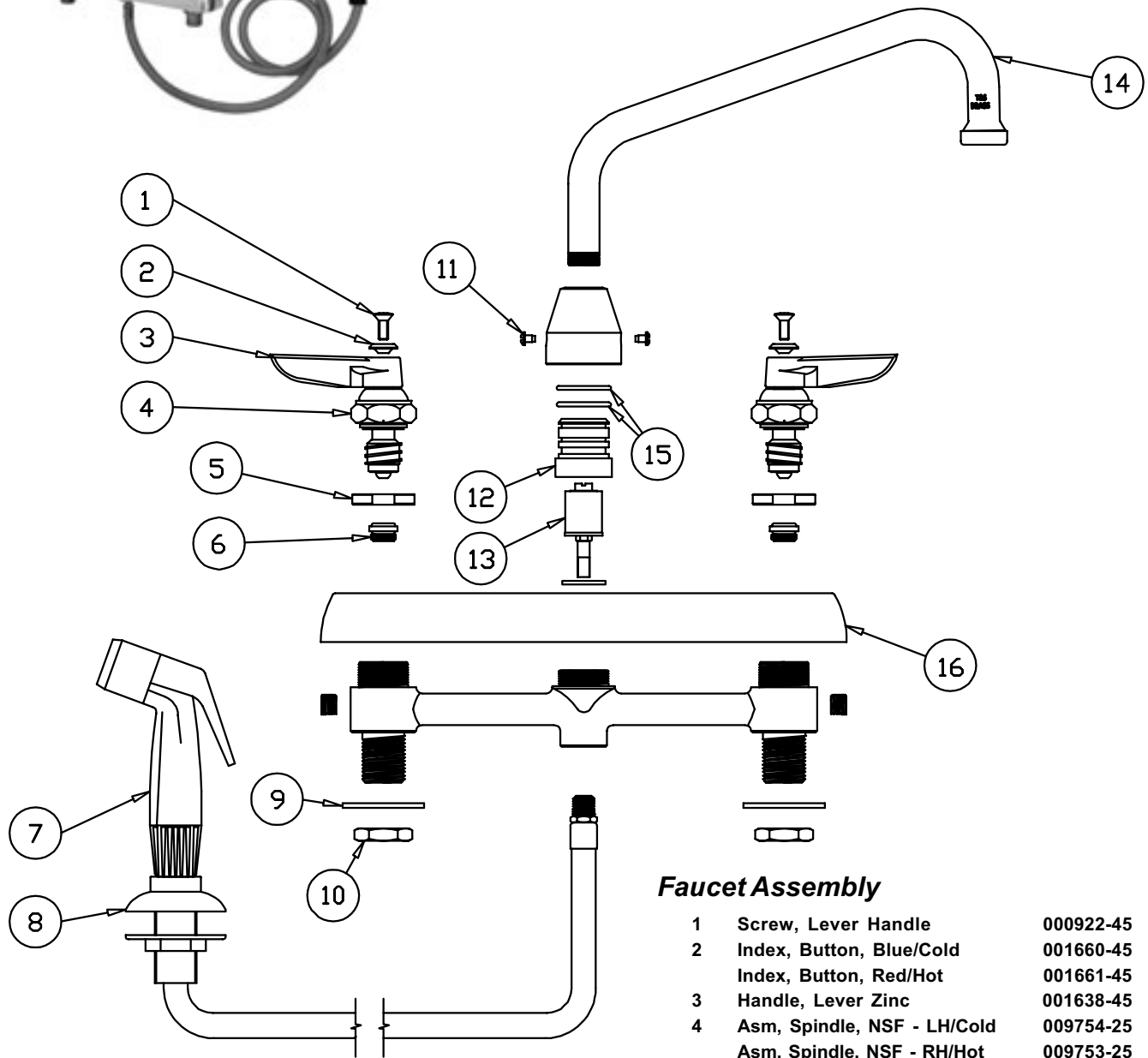
Faucet Assembly

- | | | |
|----|--------------------------|-----------|
| 1 | Nozzle, Swing, 8" | 060X |
| 2 | Screw, Diverter | 001486-45 |
| 3 | O-Ring, Center Body | 001069-45 |
| 4 | Adapter, Diverter | 001484-20 |
| 5 | Screw, Handle | 000922-45 |
| 6 | Index, Button, Blue/Cold | 001660-45 |
| | Index, Button, Red/Hot | 001661-45 |
| 7 | Handle, Lever | 001638-45 |
| 8 | Asm, Spindle NSF - Cold | 009753-25 |
| | Asm, Spindle NSF - Hot | 009754-25 |
| 9 | Locknut, Cover Plate | 000712-25 |
| 10 | Escutcheon | 001258-40 |
| 11 | Piston, Diverter Valve | 002338-45 |
| 12 | Seat | 000763-20 |
| 13 | Washer | 000999-45 |
| 14 | Locknut | 002954-45 |
| 15 | Diverter, Hose Spray | 001495-45 |
| 16 | Guide, Hose | 001496-45 |





B-1172

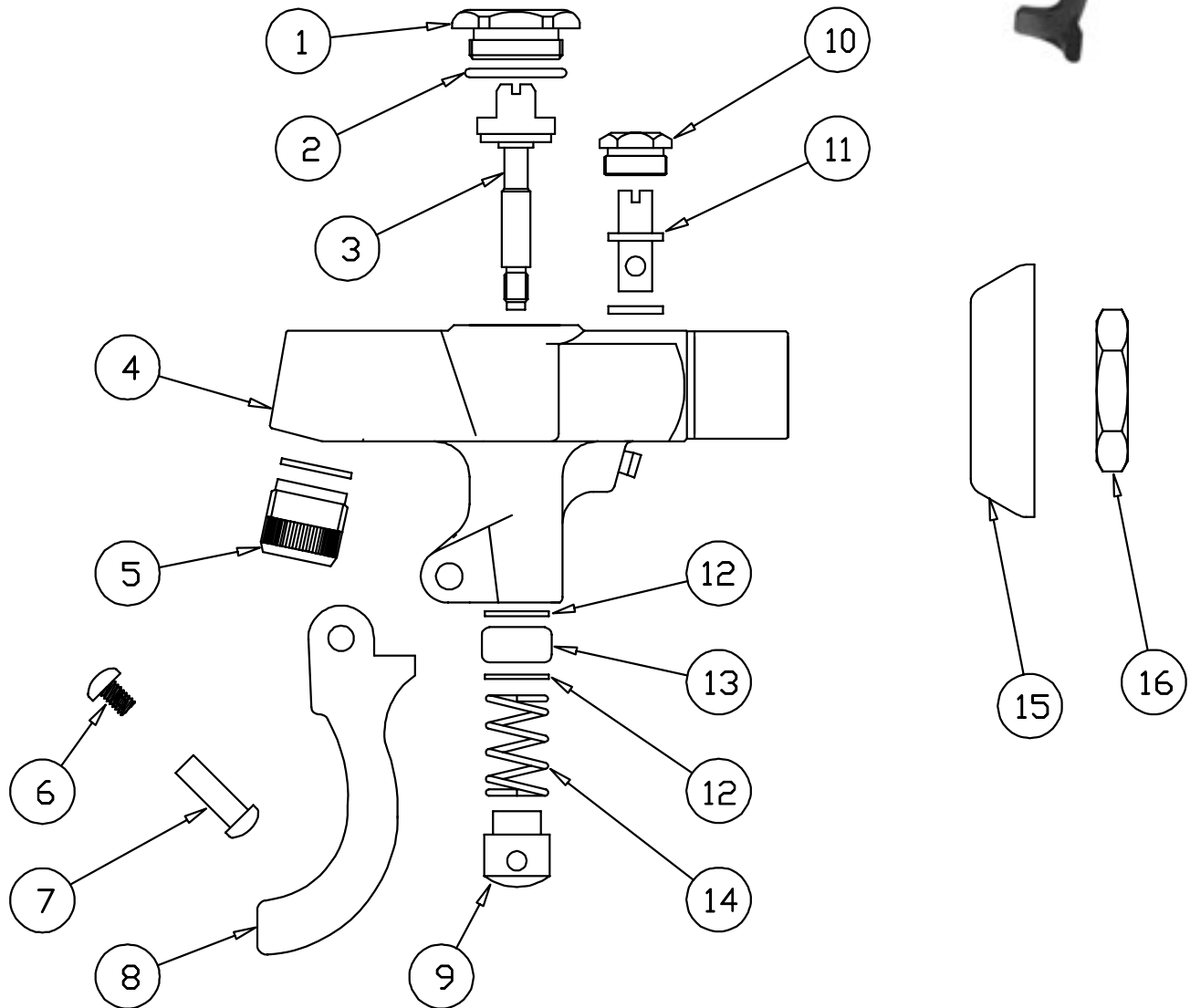


Faucet Assembly

1	Screw, Lever Handle	000922-45
2	Index, Button, Blue/Cold	001660-45
	Index, Button, Red/Hot	001661-45
3	Handle, Lever Zinc	001638-45
4	Asm, Spindle, NSF - LH/Cold	009754-25
	Asm, Spindle, NSF - RH/Hot	009753-25
5	Locknut, Cover Plate	000712-25
6	Seat	000763-20
7	Hose, Spray Diverter	001495-45
8	Hose, Guide	001496-45
9	Washer	000999-45
10	Locknut	002954-45
11	Screw, Diverter	001486-45
12	Adapter, Diverter	001484-20
13	Valve, Diverter Piston	002338-45
14	Nozzle, Swing - 8"	060X
15	O-Ring, Center Body	001069-45
16	Escutcheon	001259-40



B-1200



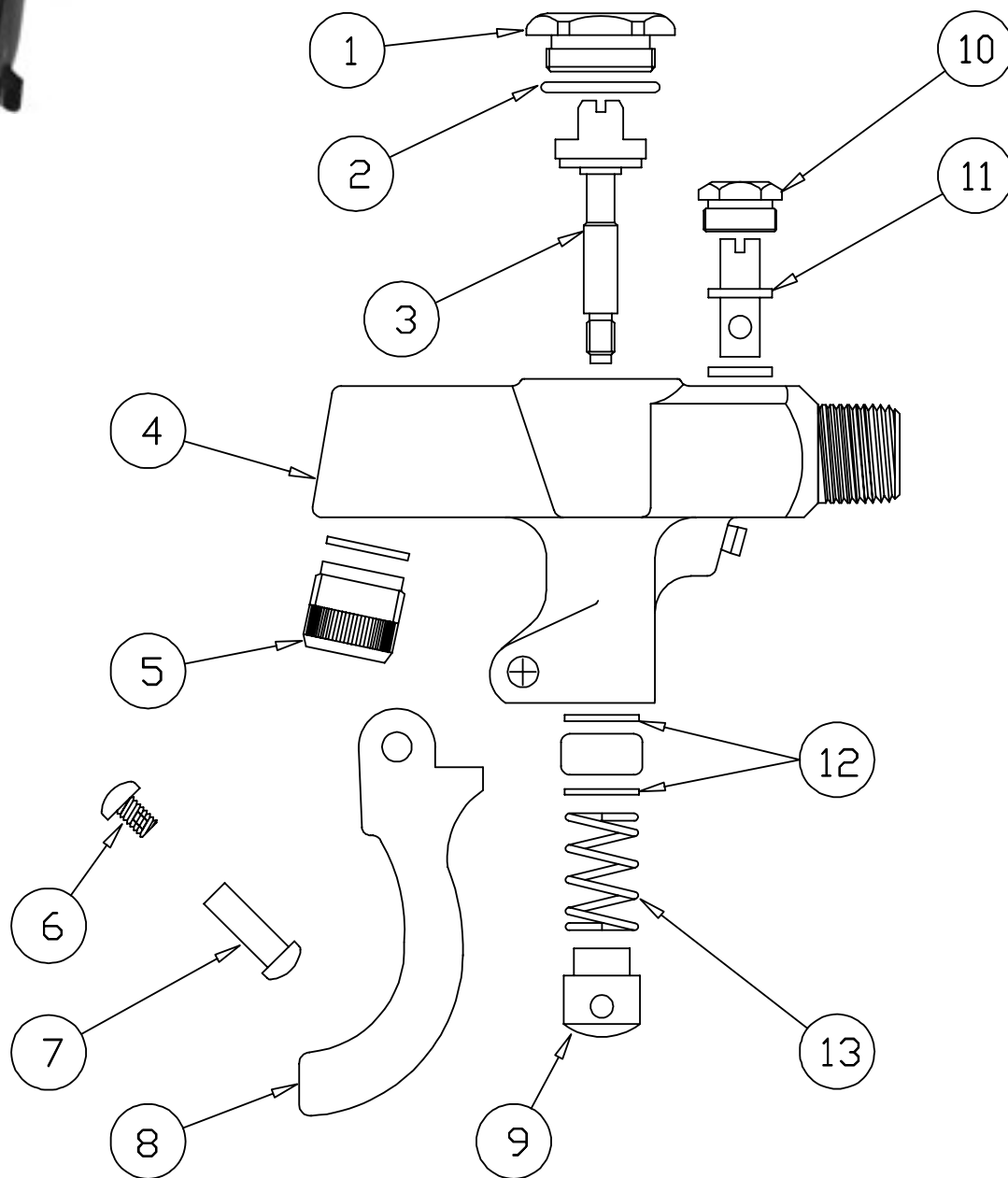
Glass Filler Assembly

1	Hexcap	000623-40	9	Pushbutton	000752-25
2	O-Ring	001062-45	10	Nut, Volume Control	000714-25
3	Stem	000826-20	11	Stem, Volume Control	000834-25
4	Asm, Body, Glass Filler & Pin	002331-40	12	Washer, Bonnet	000974-45
5	Tip, Glass Filler	003090-45	13	Packing Stem	001100-45
6	Screw, Handle	003199-45	14	Spring	000894-45
7	Nut, Handle	003198-45	15	Flange	000023-40
8	Handle, Lever Arm - Blue Lexan	001145-45	16	Locknut	000713-20





B-1205



Glass Filler Assembly

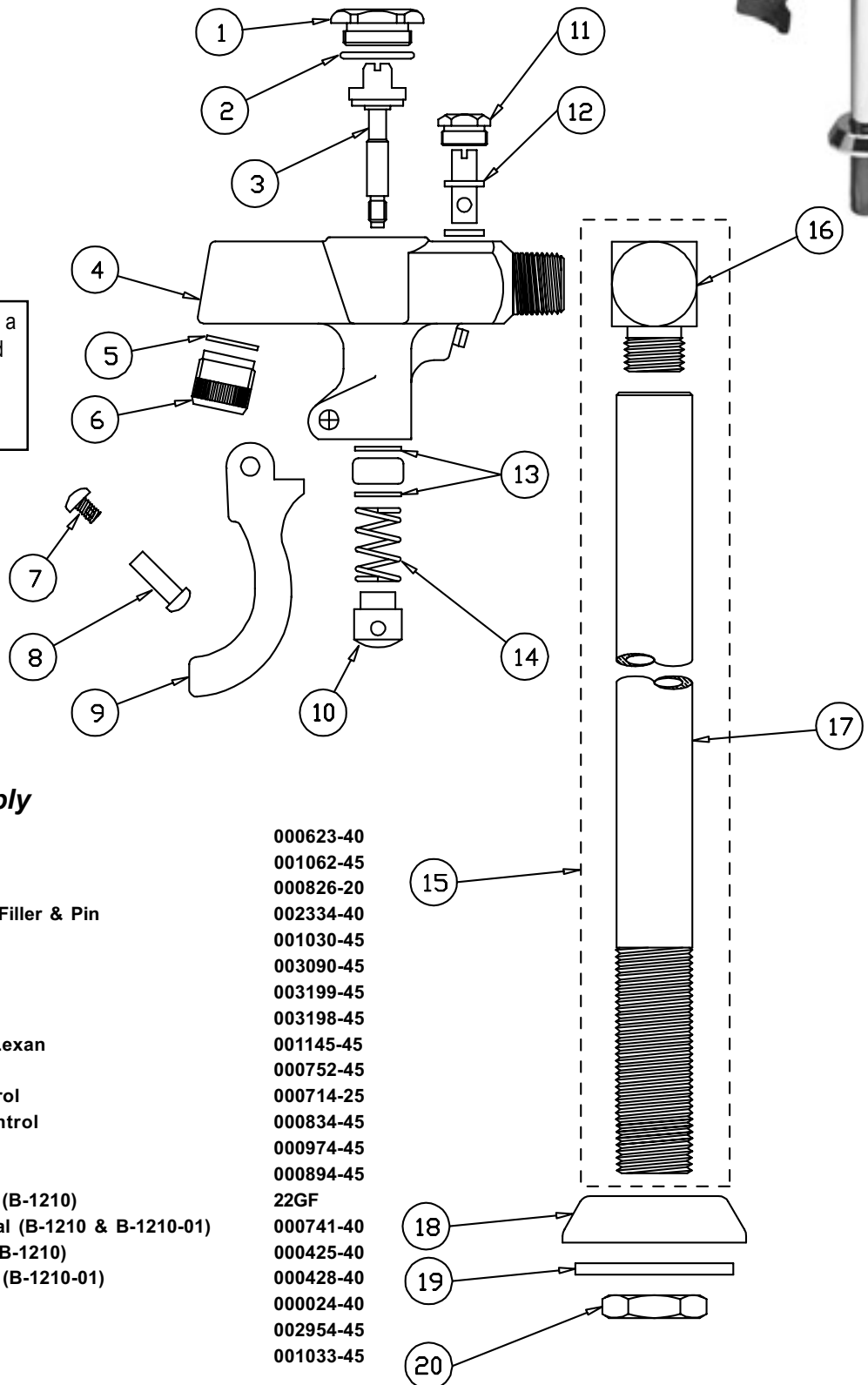
1	Hexcap	000623-40	8	Lever Arm, Blue Lexan	001145-45
2	O-Ring	001062-45	9	Pushbutton	000752-25
3	Stem	000826-20	10	Nut, Volume Control	000714-25
4	Asm, Body, Glass Filler & Pin	002334-40	11	Stem, Volume Control	000834-25
5	Tip, Glass Filler	003090-45	12	Washer, Bonnet	000974-45
6	Screw, Handle	003199-45	13	Spring	000894-45
7	Nut, Handle	003198-45			



B-1210, B-1210-01



Model B-1210 includes a 8" pedestal (22GF) and Model B-1210-01 includes a 10" pedestal (000428-40 & 00741-40)



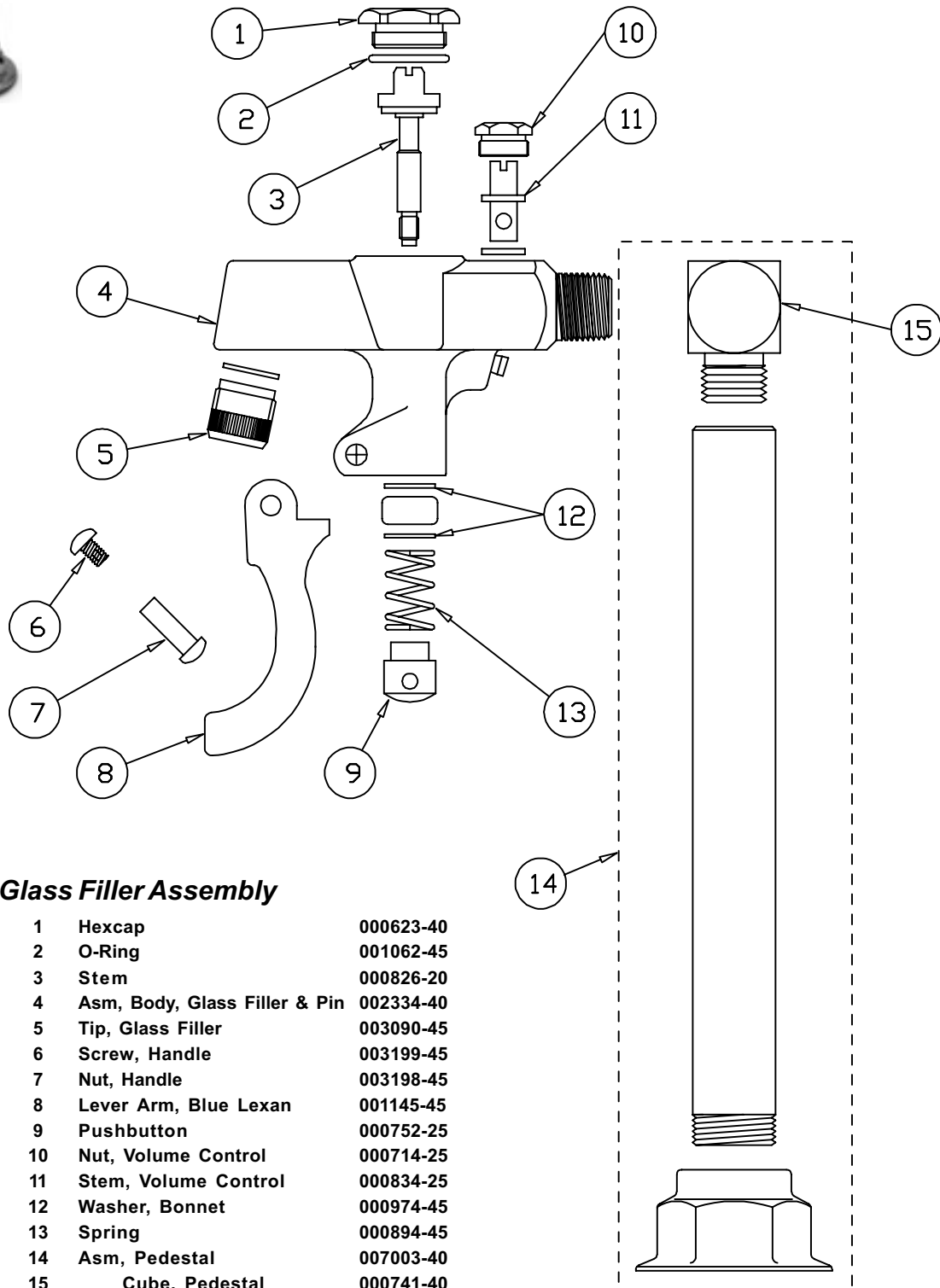
Glass Filler Assembly

1	Hexcap	000623-40
2	O-Ring	001062-45
3	Stem	000826-20
4	Asm, Body, Glass Filler & Pin	002334-40
5	Washer	001030-45
6	Tip, Glass Filler	003090-45
7	Screw, Handle	003199-45
8	Nut, Handle	003198-45
9	Lever Arm, Blue Lexan	001145-45
10	Pushbutton	000752-45
11	Nut, Volume Control	000714-25
12	Stem, Volume Control	000834-45
13	Washer, Bonnet	000974-45
14	Spring	000894-45
15	Asm, Pedestal, 8" (B-1210)	22GF
16	Cube, Pedestal (B-1210 & B-1210-01)	000741-40
17	Pedestal, 8" (B-1210)	000425-40
	Pedestal, 10" (B-1210-01)	000428-40
18	Flange	000024-40
19	Locknut	002954-45
20	Washer	001033-45

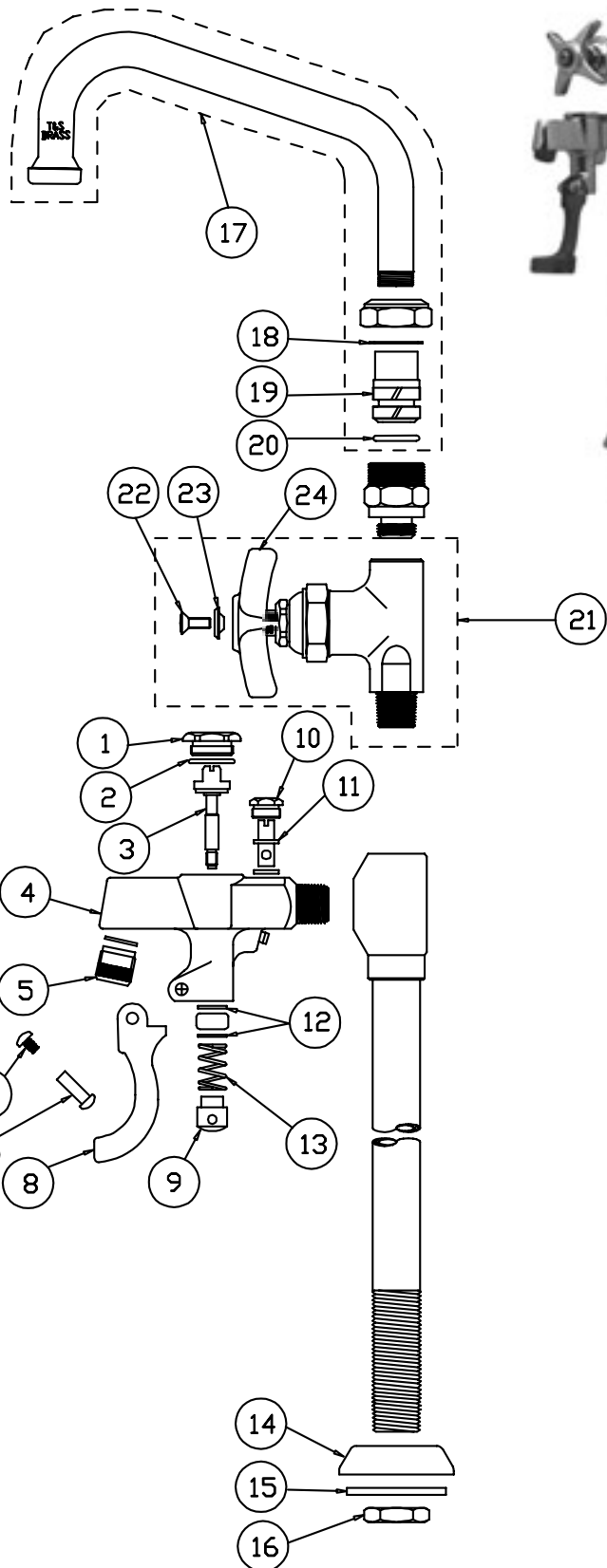




B-1220



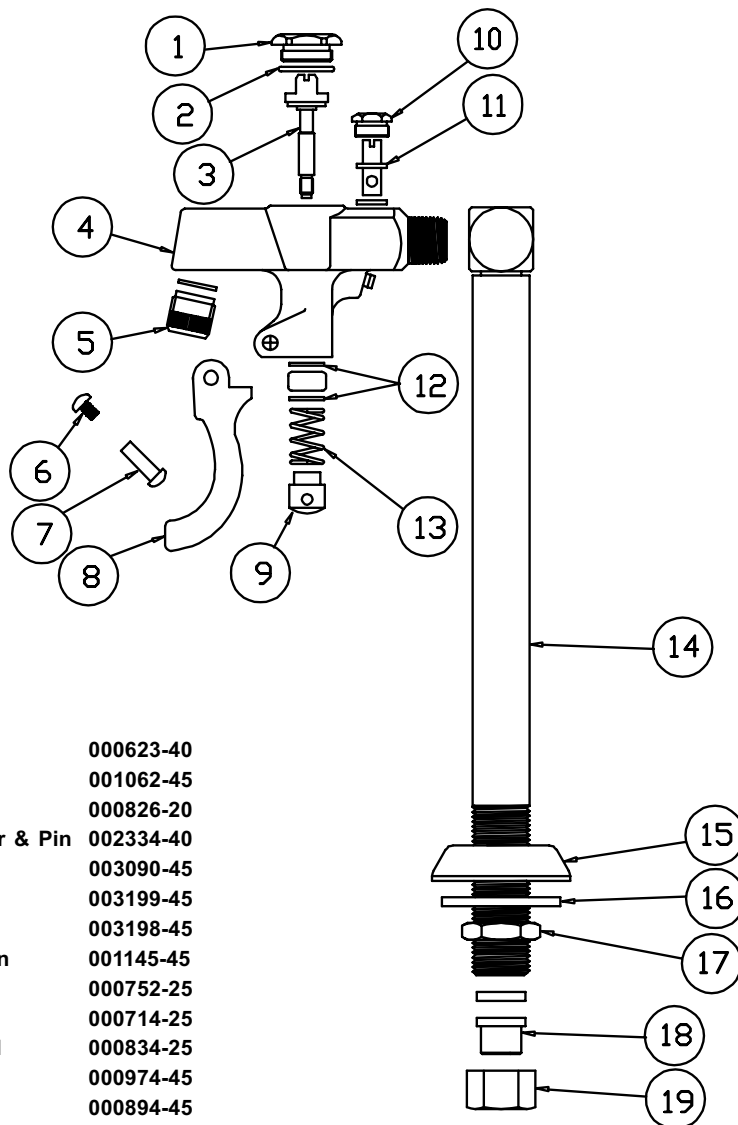
B-1225



Combination Glass Pitcher Filler

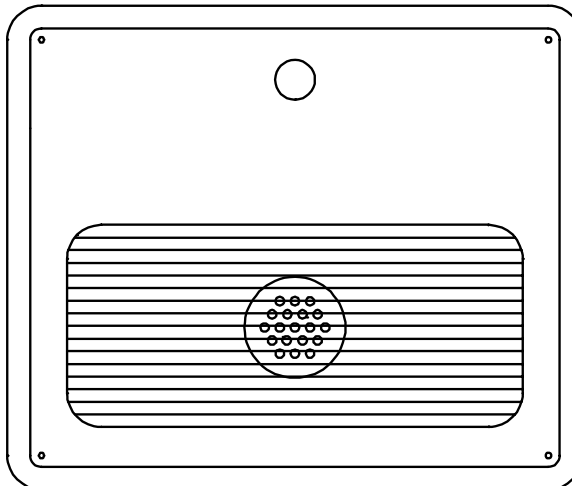
1	Hexcap	000623-40
2	O-Ring	001062-45
3	Stem	000826-20
4	Asm, Glass Filler & Pin	002334-40
5	Tip, Glass Filler	003090-45
6	Screw, Handle	003199-45
7	Nut, Handle	003198-45
8	Lever Arm, Blue Lexan	001145-45
9	Pushbutton	000752-45
10	Nut, Volume Control	000714-25
11	Stem, Volume Control	000834-25
12	Washer, Bonnet	000974-45
13	Spring	000894-45
14	Flange	000024-40
15	Washer, Pedestal	001003-45
16	Locknut, Pedestal	002954-45
17	Asm, Swing Nozzle, 6"	059X
18	Washer	011429-45
19	Sleeve	009538-45
20	O-Ring	001074-45
21	Asm, Straight Stop	007010-40
22	Screw, Handle	000922-45
23	Index, Button, Blue/Cold	001660-45
24	Handle, Kitchen, 4-Arm	002521-45

B-1230

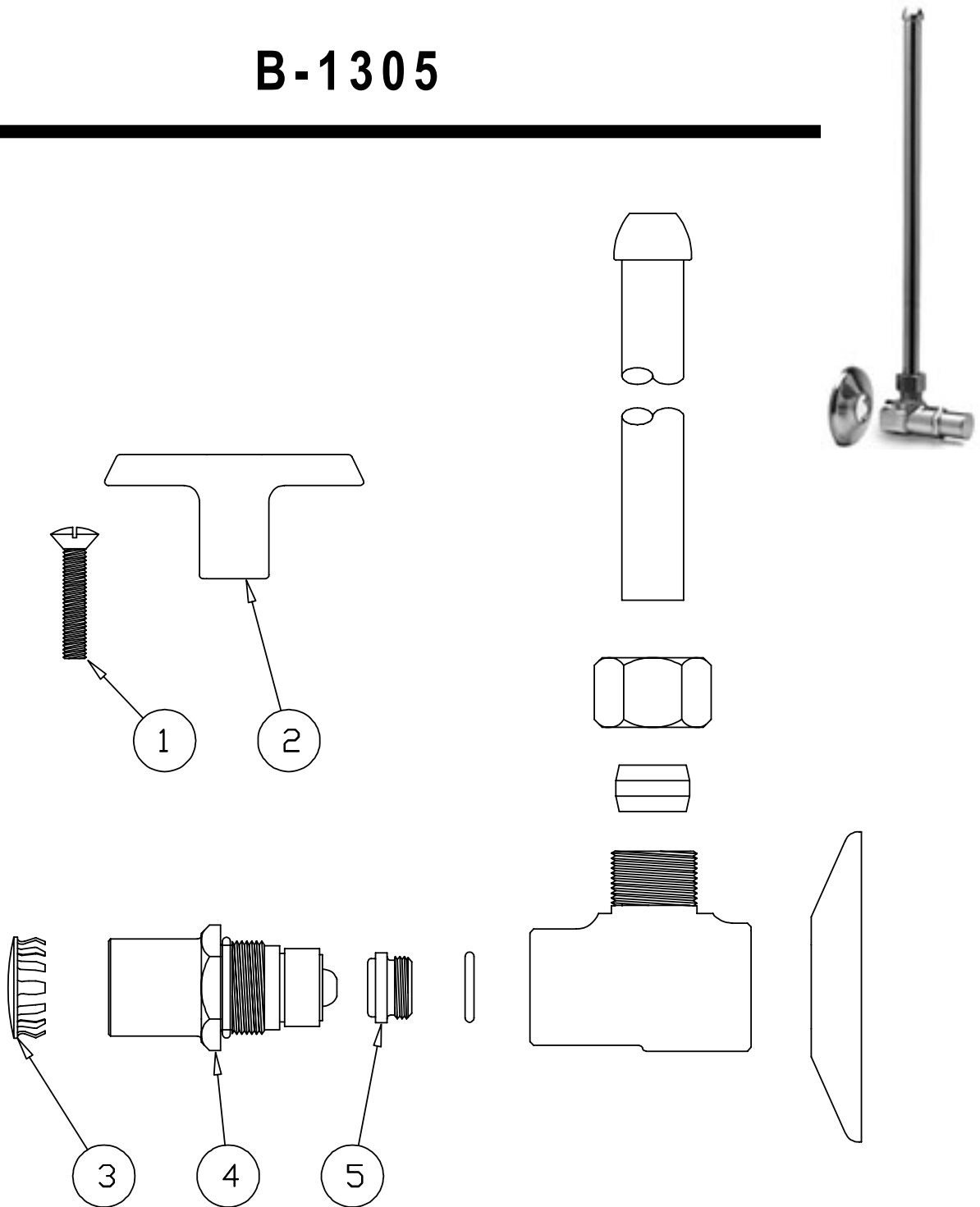


Glass Filler Assembly

1	Hexcap	000623-40
2	O-Ring	001062-45
3	Stem	000826-20
4	Asm, Body, Glass Filler & Pin	002334-40
5	Tip, Glass Filler	003090-45
6	Screw, Handle	003199-45
7	Nut, Handle	003198-45
8	Lever Arm, Blue Lexan	001145-45
9	Pushbutton	000752-25
10	Nut, Volume Control	000714-25
11	Stem, Volume Control	000834-25
12	Washer, Bonnet	000974-45
13	Spring	000894-45
14	Pedestal, 8"	000425-40
15	Flange	000024-40
16	Washer	001033-45
17	Locknut	002954-45
18	Tailpiece	000856-20
19	Nut, Coupling	000961-45



B-1305

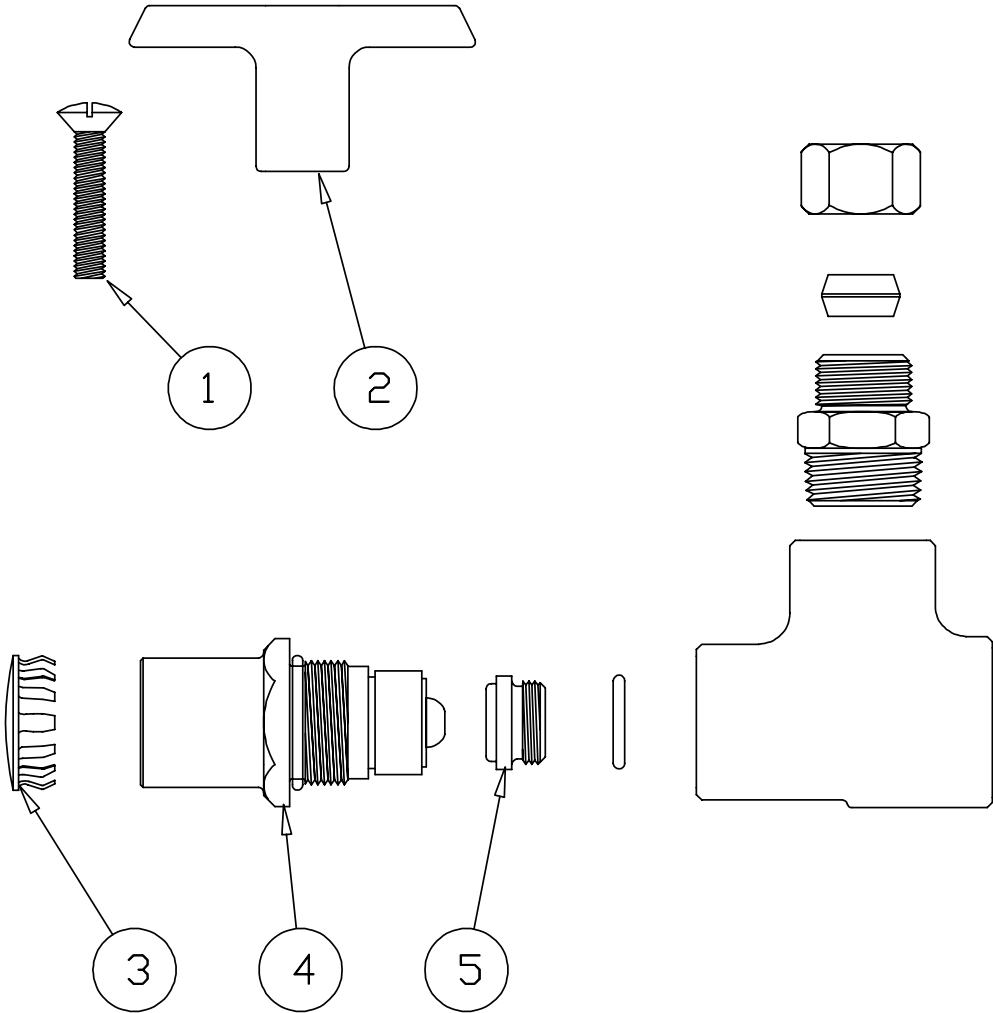


Flexible Supply and Angle Stop

1	Screw, Key Handle	002432-45
2	Handle, 'T', Supply Stop	001802-45
3	Cap, Key Stop	001605-45
4	Asm, Spindle	002892-45
5	Seat	000763-20



B-1305-01

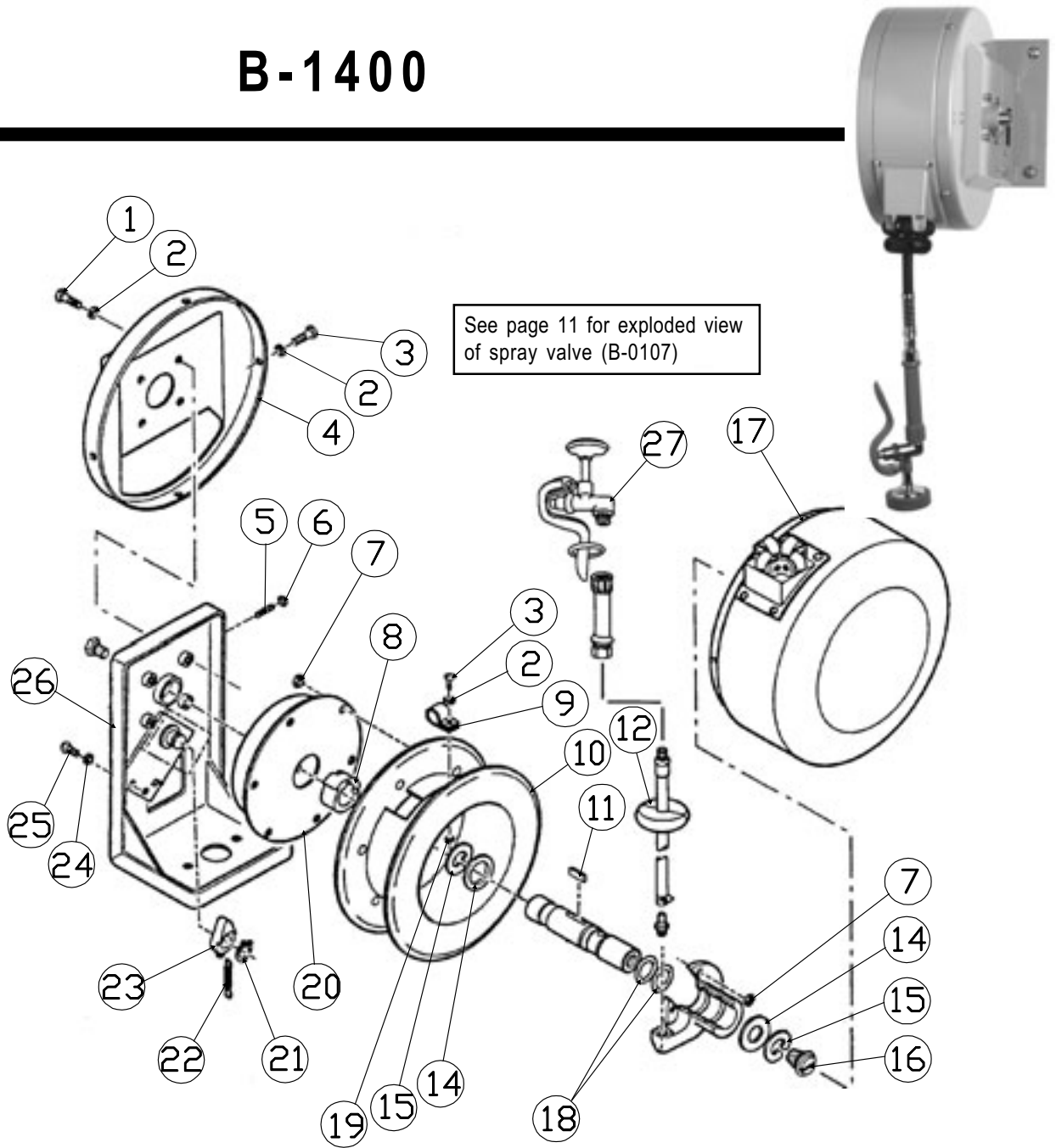


Flex Supply and Angled Key Stop

1	Screw, Handle	002432-45
2	T' Handle, Supply Stop	001802-45
3	Cap, Key Stop	001605-45
4	Asm, Spindle	002892-40
5	Seat	000763-20



B-1400



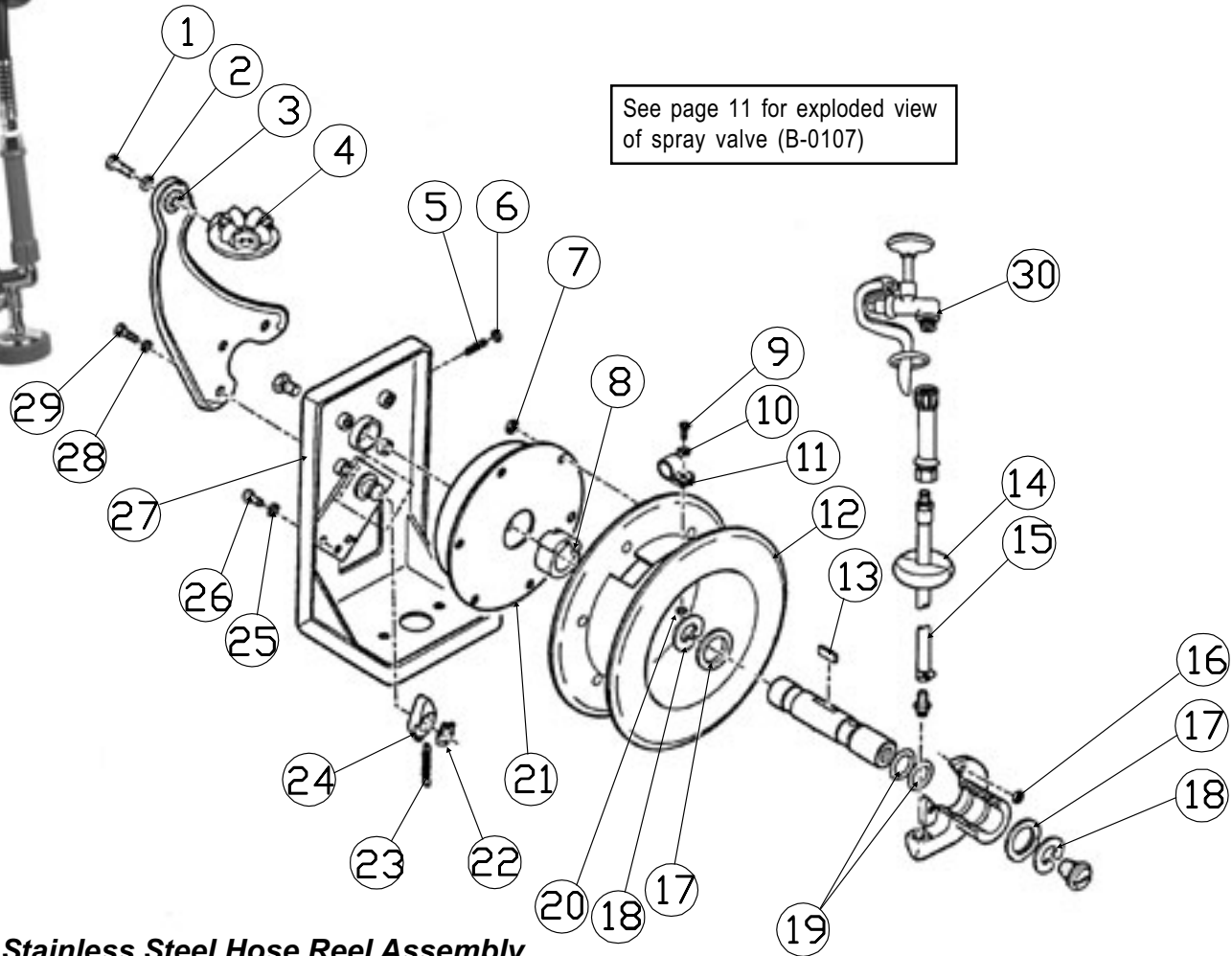
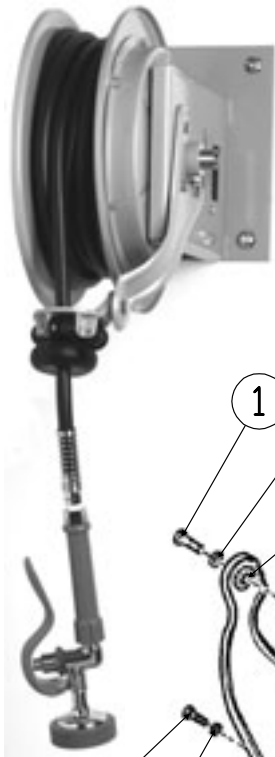
See page 11 for exploded view of spray valve (B-0107)

Stainless Steel Hose Reel Assembly

1	Hex Screw	002507-45	15	Snap Ring	002451-45
2	Lock Washer	002458-45	16	Pipe Plug	002503-45
3	Screw	002500-45	17	Asm, Cover and Hose Guide	002466-45
4	Stand Cover	002508-45	18	O-Ring	001061-45
5	Set Screw	002463-45	19	Nut	002457-45
6	Jam Nut	002498-45	20	Asm, Mainspring, Cup and Ratchet	002469-45
7	Locknut	002448-45	21	Retaining Ring	002447-45
8	Mainspring Hub	002499-45	22	Ratchet Spring	002446-45
9	Hose Clamp	002501-45	23	Ratchet Lever	002504-45
10	Asm, Drum	002502-45	24	Washer	002459-45
11	Key	002481-45	25	Screw	002505-45
12	Hose Stop	001427-45	26	Asm, Stand	002497-45
13	Asm, Hose - 35 foot	003364-40	27	Asm, Handle	002881-40
14	Washer	002453-45			



B-1403, B-1407



Stainless Steel Hose Reel Assembly

1	Hex Screw	002507-45	16	Locknut	002448-45
2	Lock Washer	002458-45	17	Washer	002453-45
3	Guide Arm	002496-45	18	Snap Ring	002451-45
4	Roller Guide	002483-45	19	O-Ring	001061-45
5	Set Screw	002463-45	20	Nut	002457-45
6	Jam Nut	002498-45	21	Asm, Mainspring, Cup and Ratchet	002469-45
7	Locknut	002448-45	22	Retaining Ring	002447-45
8	Mainspring Hub	002499-45	23	Ratchet Spring	002446-45
9	Screw	002550-45	24	Ratchet Lever	002504-45
10	Washer	002458-45	25	Washer	002458-45
11	Hose Clamp	002501-45	26	Screw	002506-45
12	Asm, Drum	002502-45	27	Asm, Stand	002497-45
13	Key	002481-45	28	Washer	002459-45
14	Asm, Hose Stop	001427-45	29	Screw	002506-45
15	Asm, Hose, 35 foot	003364-20	30	Asm, Spray Valve	B-0107

