



T&S BRASS AND BRONZE WORKS, INC.

2 Saddleback Cove / P.O. Box 1088
Travelers Rest, SC 29690



REG. #A2601
ISO #9001

Model No.
B-2345-01

Item No.

Travelers Rest, SC: 800-476-4103 Simi Valley, CA: 800-423-0150 Fax: 864-834-3518 www.tsbrass.com

This Space for Architect/Engineer Approval

Job Name _____ Date _____

Model Specified _____ Quantity _____

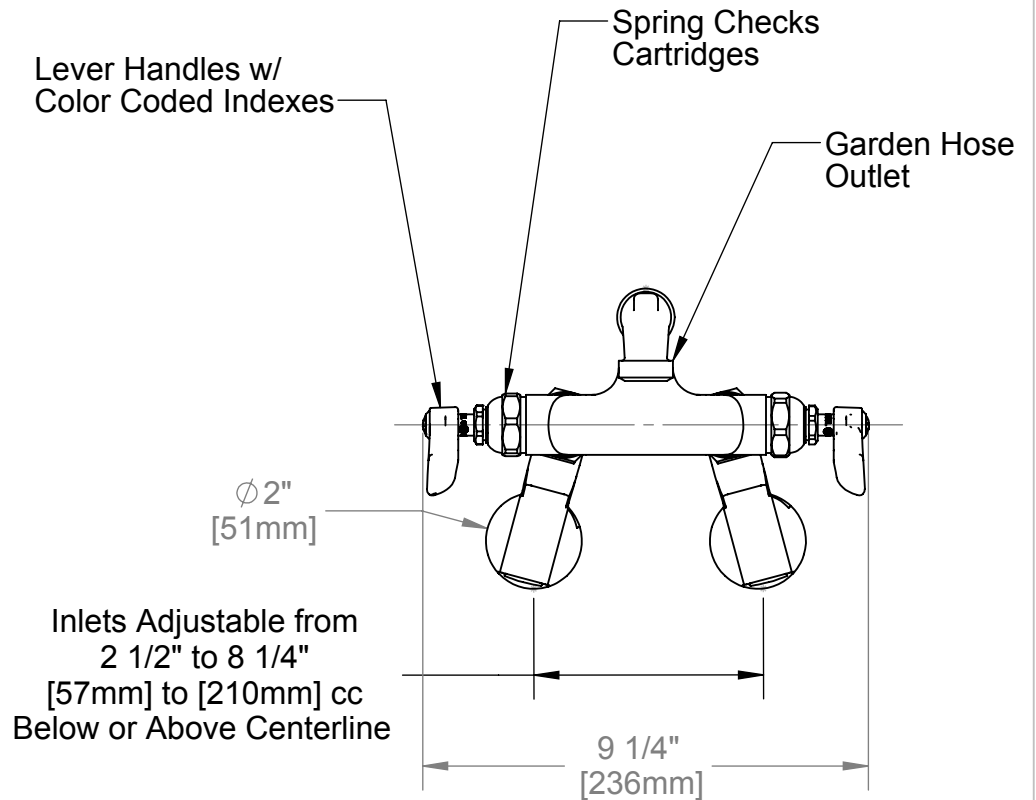
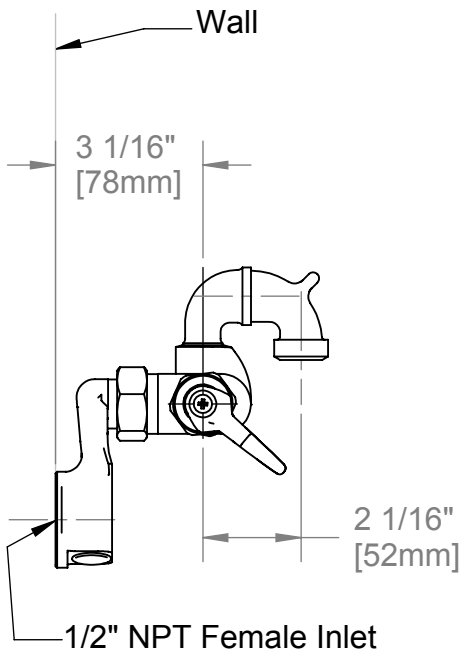
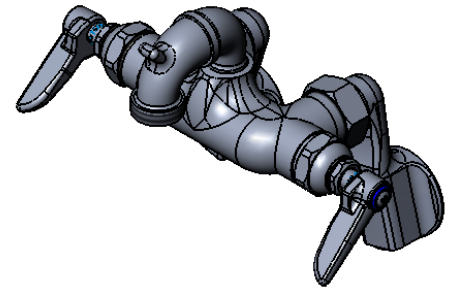
Customer/Wholesaler _____

Contractor _____

Architect/Engineer _____



ADA Compliant



Product Specifications:

**Wall Mount Polish Chrome Mixing Faucet
w/ 1/2" NPT Adjustable Inlets, Lever Handles,
Spring Check Cartridges**

Drawn ARH	Checked DHL	Approved JHB
Scale: 1:4		Date: 12/20/07



T&S BRASS AND BRONZE WORKS, INC.

2 Saddleback Cove / P.O. Box 1088
Travelers Rest, SC 29690



REG. #A2601
ISO #9001

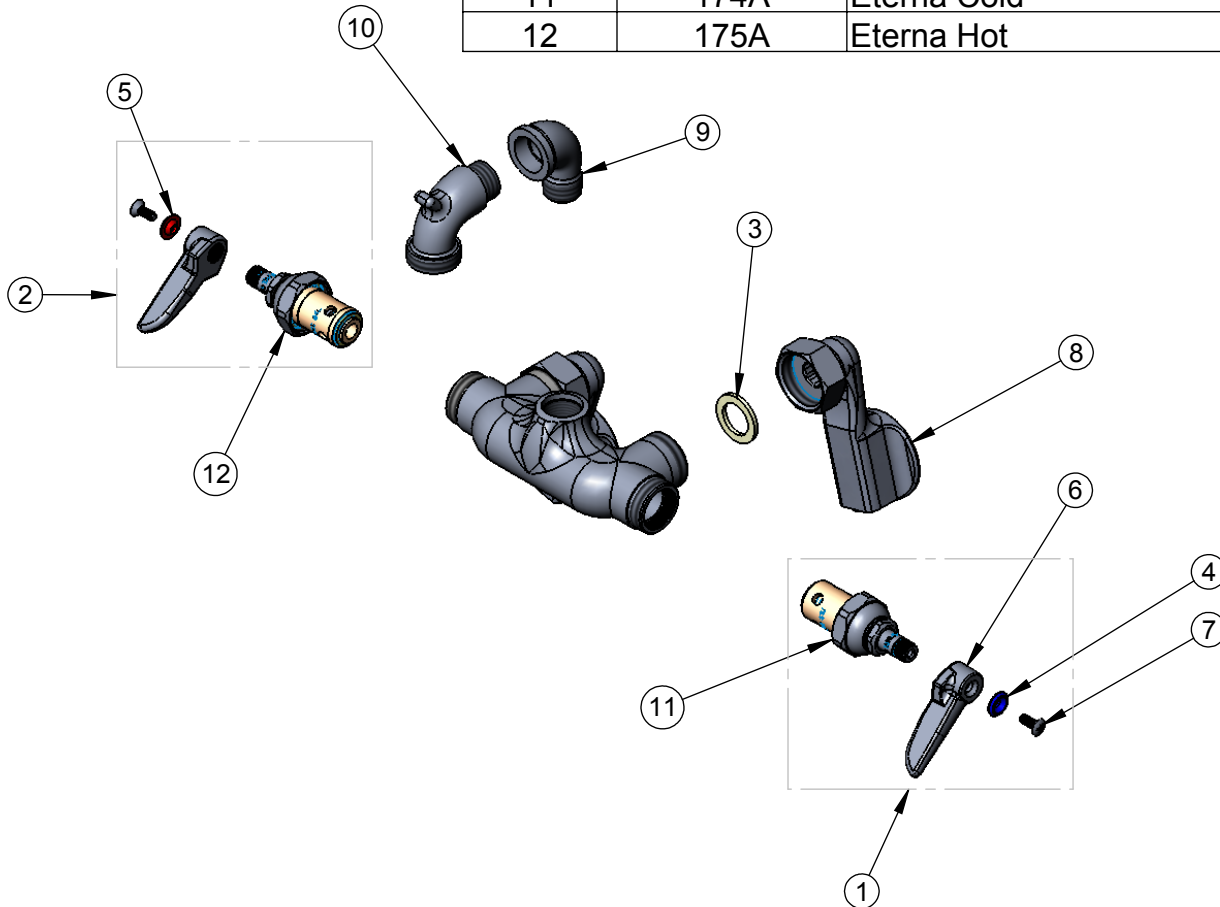
Model No.

B-2345-01

Item No.

Travelers Rest, SC: 800-476-4103 Simi Valley, CA: 800-423-0150 Fax: 864-834-3518 www.tsbrass.com

ITEM NO.	SALES NO.	DESCRIPTION
1	002711-40	Spindle Asm, Eterna Cold
2	002712-40	Spindle Asm, Eterna Hot
3	001019-45	Washer, Coupling Nut
4	001660-45	Blue Index-CW
5	001661-45	Red Index-HW
6	001638-45	Lever Handle
7	000922-45	Lever Handle Screw
8	00GG	Flange Assembly, 1/2" NPT, Adjustable
9	001656-40	Elbow, Street, 1/2"NPT
10	000270-40	Spout, Garden Hose Outlet
11	174A	Eterna Cold
12	175A	Eterna Hot



Product Specifications:

Wall Mount Polish Chrome Mixing Faucet
w/ 1/2" NPT Adjustable Inlets, Lever Handles,
Spring Check Cartridges

Drawn

ARH

Checked

DHL

Approved

JHB

Scale:

1:4

Date:

12/20/07