



T&S BRASS AND BRONZE WORKS, INC.

2 Saddleback Cove / P.O. Box 1088
Travelers Rest, SC 29690



REG. #A2601
ISO #9001

Model No.

B-2347-03

Item No.

Travelers Rest, SC: 800-476-4103 Simi Valley, CA: 800-423-0150 Fax: 864-834-3518 www.tsbrass.com

This Space for Architect/Engineer Approval

Job Name _____ Date _____

Model Specified _____ Quantity _____

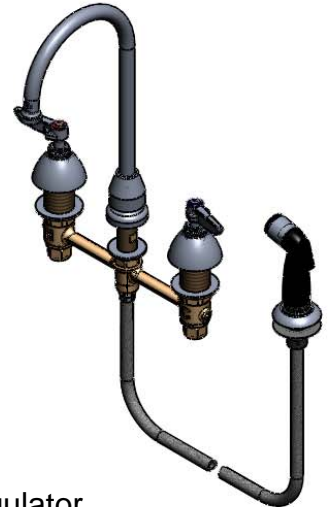
Customer/Wholesaler _____

Contractor _____

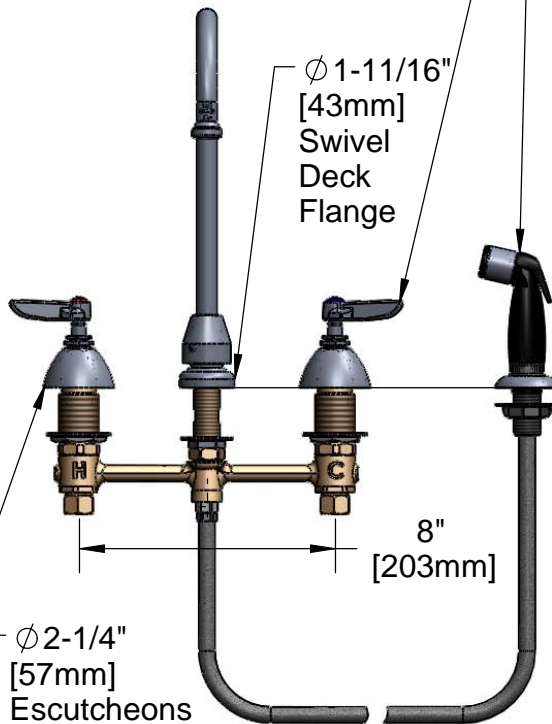
Architect/Engineer _____



ADA Compliant



Lever Handles
w/ Color Coded Indexes



Ø 1-11/16"
[43mm]
Swivel
Deck
Flange

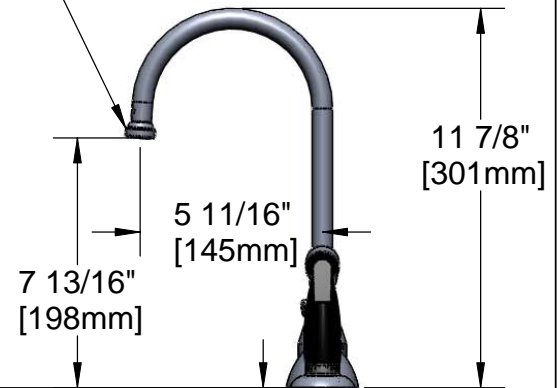
Ø 2-1/4"
[57mm]
Escutcheons

8"
[203mm]

Black & Chrome
Sidespray
w/ Automatic
Diverter &
4' Under Counter
Flexible
Reinforced Hose

Mounting
Surface

B-PT
Stream Regulator
Outlet



11 7/8"
[301mm]

5 11/16"
[145mm]

7 13/16"
[198mm]

Fits Sinks
Up To
1-1/4" Thick
[36mm]

1/2" NPSM
Coupling Nuts

Note: Rough-In Required:

Ø 1" for Center Shank

Ø 1-1/2" [38mm] for Hot/Cold Side [1-1/4" [32mm] Minimum]

Product Specifications:

**EasyInstall Faucet w/ 4' Sidespray, Lever
Handles, Compression Cartridges, 8" Inlet Centers
& Gooseneck w/ Stream Regulator Outlet**

Drawn
JRM

Checked
GEF

Approved
JHB

Scale:

NTS

Date:

09/11/08



T&S BRASS AND BRONZE WORKS, INC.

2 Saddleback Cove / P.O. Box 1088
Travelers Rest, SC 29690



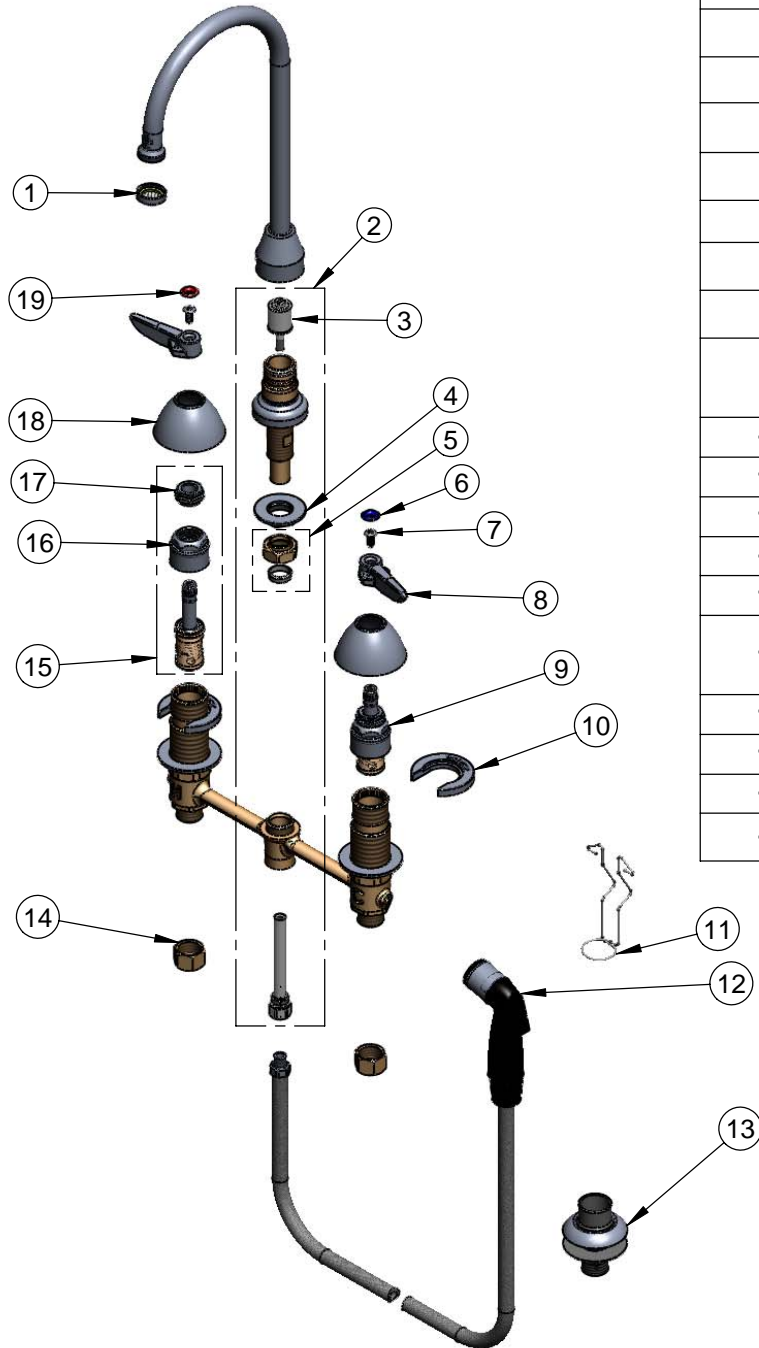
REG. #A2601
ISO #9001

Model No.

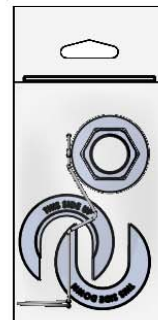
B-2347-03

Item No.

Travelers Rest, SC: 800-476-4103 Simi Valley, CA: 800-423-0150 Fax: 864-834-3518 www.tsbrass.com



ITEM NO.	SALES NO.	DESCRIPTION
1	B-PT	Stream Regulator Outlet
2	017208-40	Center Body Diverter Asy
3	002338-45	Diverter
4	016742-45	Center Flange nut
5	016745-45	Compression Nut & Fitting
6	001660-45	Blue Index-CW
7	000922-45	Lever Handle Screw
8	001638-45	Lever Handle
9	016752-40	EasyInstall CWS LTC Eterna (Teflon)
10	016749-45	C-Washer
11	016777-45	CWS Hanger
12	001495-45	Side Spray
13	001496-45	Hose Guide
14	000958-20	Coupling Nut
15	016753-40	EasyInstall CWS RTC Eterna (Teflon)
16	016743-25	CWS Bonnet Assembly
17	009002-25	Packing Assembly
18	001257-40	Bell Escutcheon
19	001661-45	Red Index-HW



017245-40
Installation Repair Kit
Includes #4, (2)#10 & #11

Product Specifications:

EasyInstall Faucet w/ 4' Sidespray, Lever Handles, Compression Cartridges, 8" Inlet Centers & Gooseneck w/ Stream Regulator Outlet

Drawn JRM	Checked GEF	Approved JHB
Scale: NTS		Date: 09/11/08