



# T&S BRASS AND BRONZE WORKS, INC.

2 Saddleback Cove / P.O. Box 1088  
Travelers Rest, SC 29690



REG. #A2601  
ISO #9001

Model No.

**B-2347-05**

Item No.

Travelers Rest, SC: 800-476-4103 Simi Valley, CA: 800-423-0150 Fax: 864-834-3518 www.tsbrass.com

This Space for Architect/Engineer Approval

Job Name \_\_\_\_\_ Date \_\_\_\_\_

Model Specified \_\_\_\_\_ Quantity \_\_\_\_\_

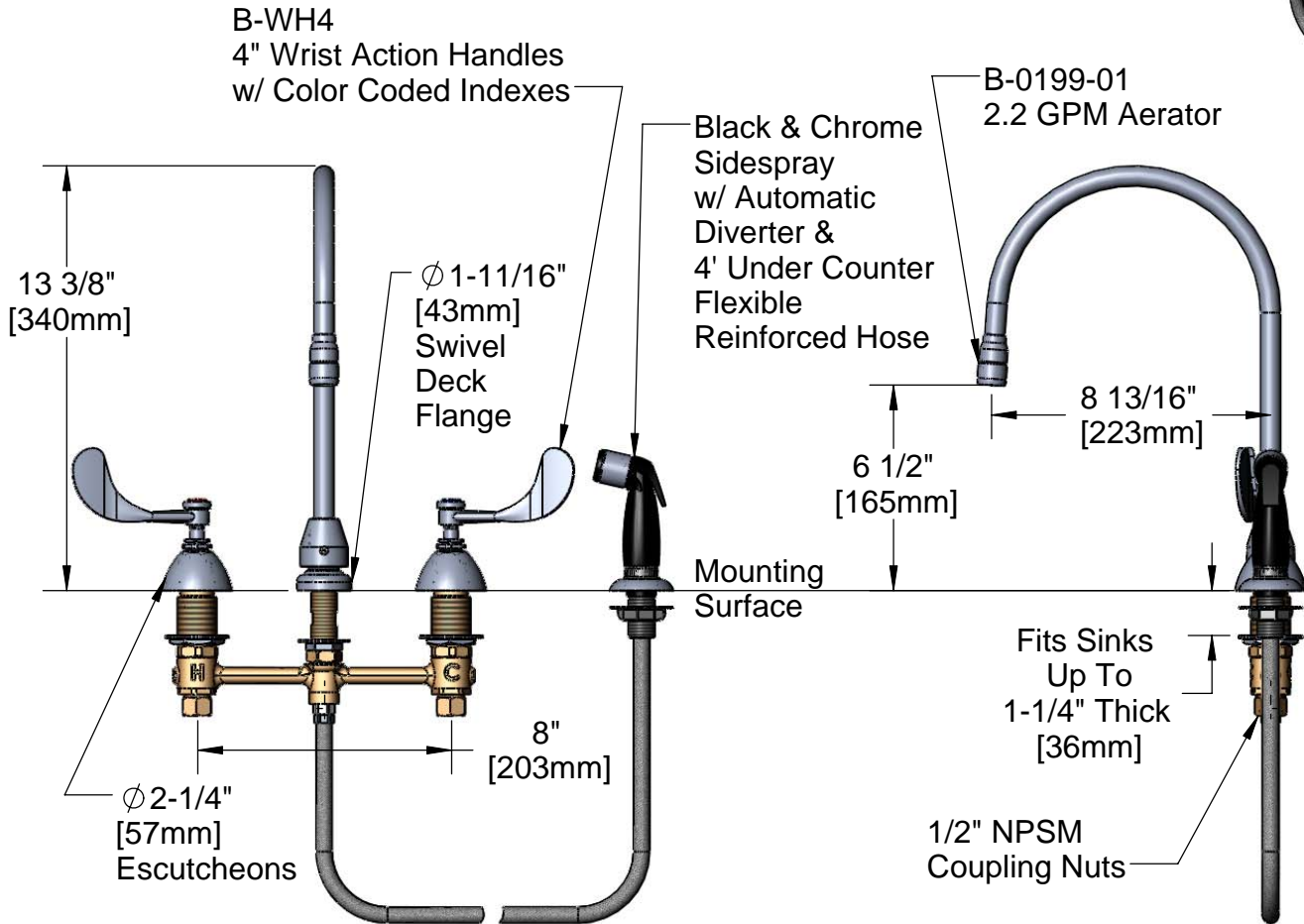
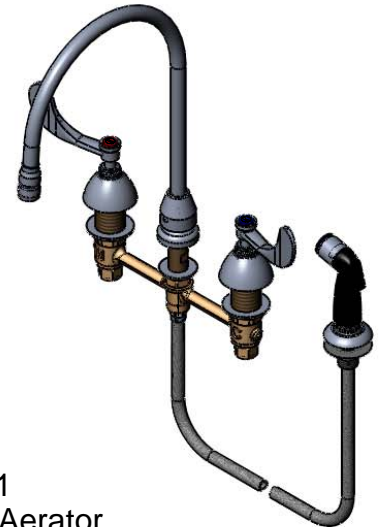
Customer/Wholesaler \_\_\_\_\_

Contractor \_\_\_\_\_

Architect/Engineer \_\_\_\_\_



**ADA Compliant**



**Note: Rough-In Required:**

- Ø 1" [25mm] for Center Shank
- Ø 1-1/2" [38mm] for Hot/Cold Side [1-1/4" [32mm] Minimum]

**Product Specifications:**

**EasyInstall Faucet w/ 4' Sidespray, 4" Wrist  
Action Handles, Compression Cartridges, 8" Inlet Centers  
& Gooseneck w/ 2.2GPM Aerator**

Drawn <b>JRM</b>	Checked <b>GEF</b>	Approved <b>JHB</b>
Scale: <b>NTS</b>		Date: <b>07/31/08</b>



**T&S BRASS AND BRONZE WORKS, INC.**

2 Saddleback Cove / P.O. Box 1088  
Travelers Rest, SC 29690



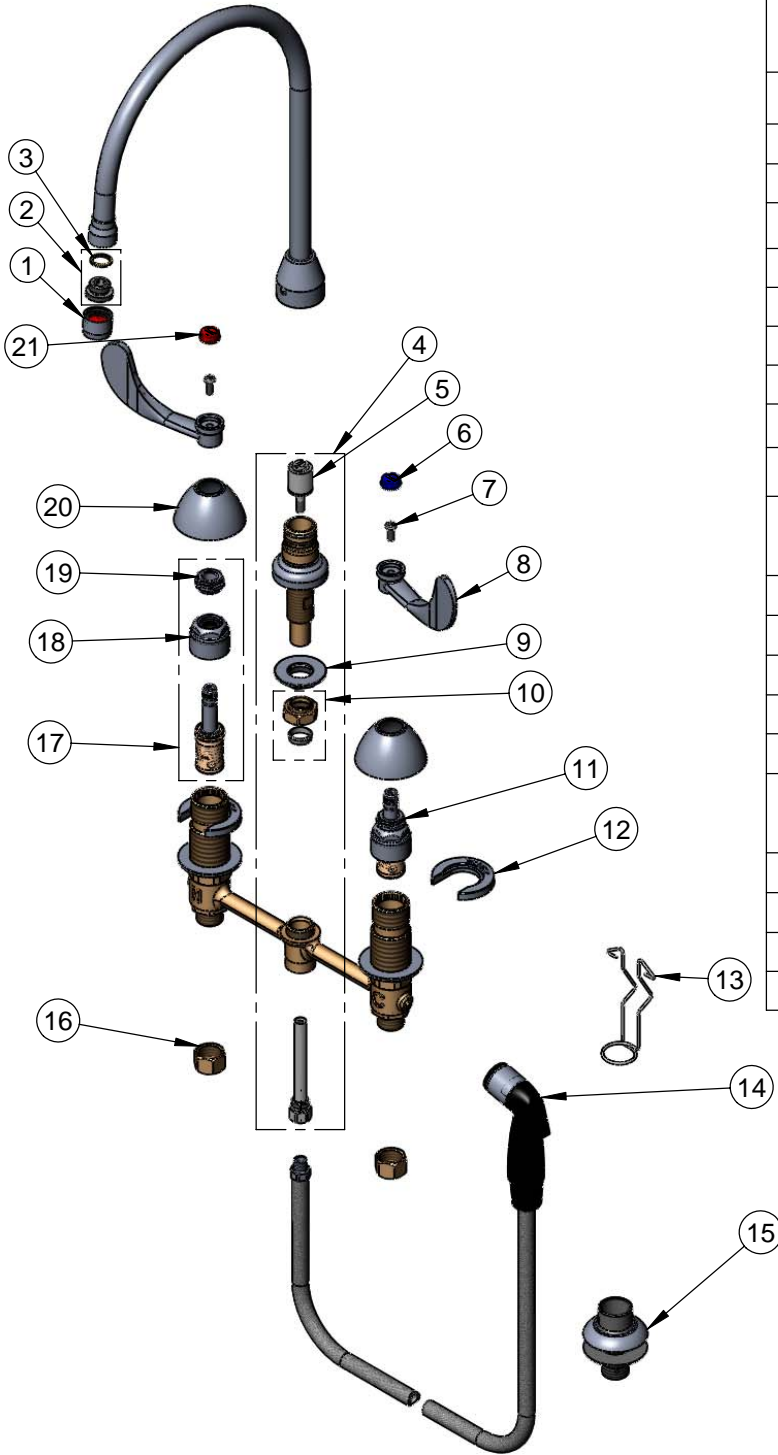
REG. #A2601  
ISO #9001

Model No.

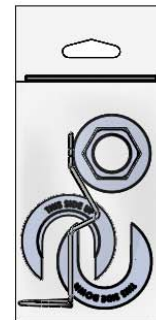
**B-2347-05**

Item No.

Travelers Rest, SC: 800-476-4103 Simi Valley, CA: 800-423-0150 Fax: 864-834-3518 www.tsbrass.com



ITEM NO.	SALES NO.	DESCRIPTION
1	B-0199-01	2.2GPM Aerator
2	044A	Male Aerator Adapter
3	001043-45	Washer
4	017208-40	Center Body Diverter Asy
5	002338-45	Diverter
6	001686-45	Blue CW Index
7	000925-45	Lab Handle Screw
8	B-WH4	4" Wrist Action Handle
9	016742-45	Center Flange Nut
10	016745-45	Compression Nut & Fitting
11	016752-40	CWS Bonnet & LTC Eterna Cartridge
12	016749-45	C-Washer
13	016777-45	CWS Hanger
14	001495-45	Side Spray
15	001496-45	Hose Guide
16	000958-20	Coupling Nut
17	016753-40	CWS Bonnet & RTC Eterna Cartridge
18	016743-25	CWS Bonnet Assembly
19	009002-25	Packing Assembly
20	001257-40	Bell Escutcheon
21	001194-45	Red HW Index



017245-40  
Installation Repair Kit  
Includes #9, (2)#12, & #13

Product Specifications:

EasyInstall Faucet w/ 4" Sidespray, 4" Wrist Action Handles, Compression Cartridges, 8" Inlet Centers & Gooseneck w/ 2.2GPM Aerator

Drawn <b>JRM</b>	Checked <b>GEF</b>	Approved <b>JHB</b>
Scale: <b>NTS</b>		Date: <b>07/31/08</b>