



# T&S BRASS AND BRONZE WORKS, INC.

2 Saddleback Cove / P.O. Box 1088  
Travelers Rest, SC 29690



REG. #A2601  
ISO #9001

Model No.

**B-2855-02**

Item No.

Travelers Rest, SC: 800-476-4103 Simi Valley, CA: 800-423-0150 Fax: 864-834-3518 www.tsbrass.com

This Space for Architect/Engineer Approval

Job Name \_\_\_\_\_ Date \_\_\_\_\_

Model Specified \_\_\_\_\_ Quantity \_\_\_\_\_

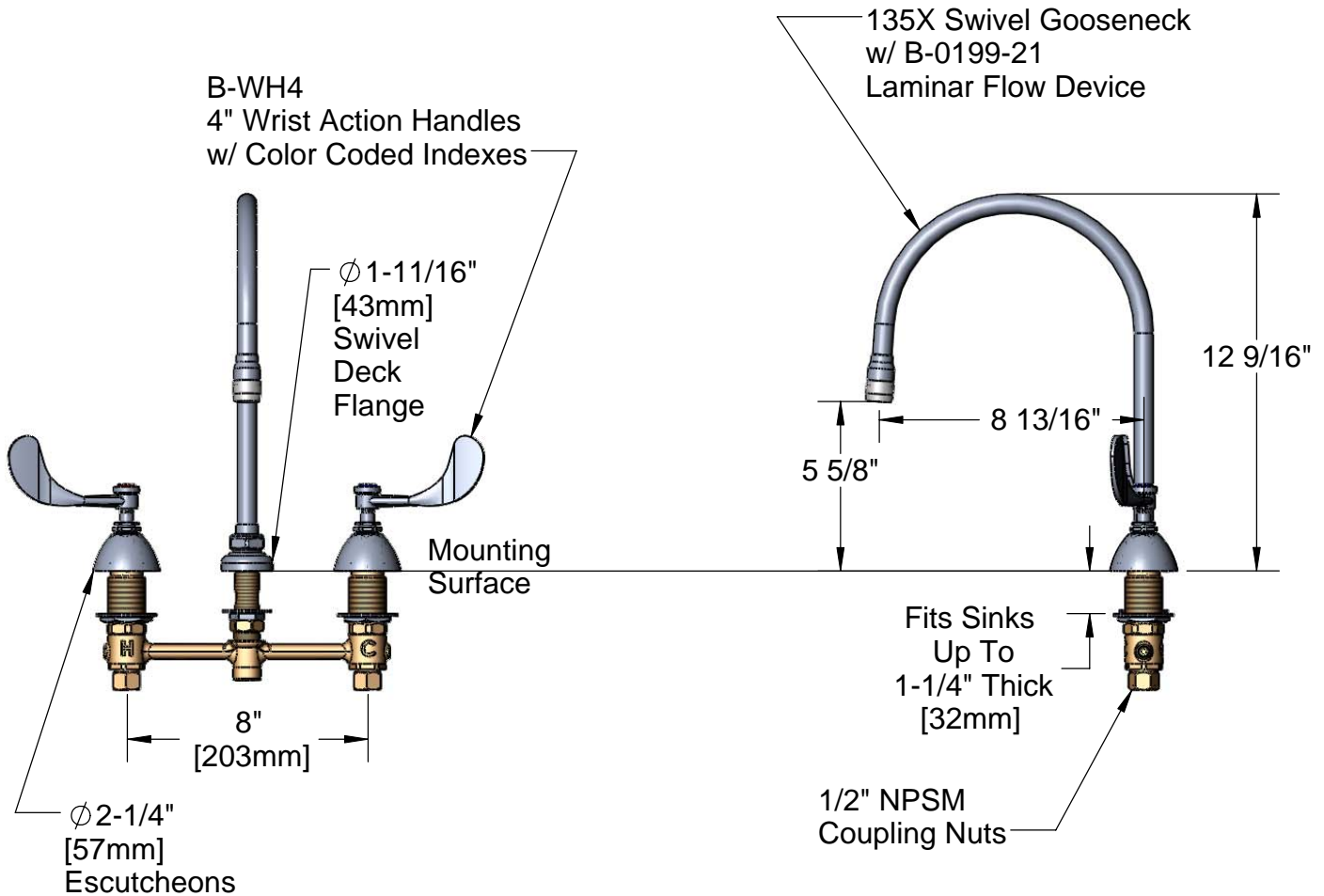
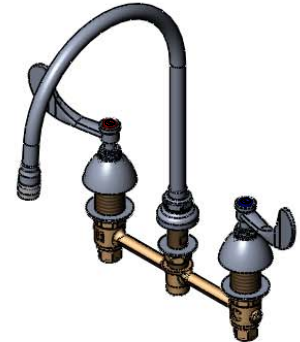
Customer/Wholesaler \_\_\_\_\_

Contractor \_\_\_\_\_

Architect/Engineer \_\_\_\_\_



**ADA Compliant**



**Note: Rough-In Required:**

$\phi 1"$  [25mm] for Center Shank

$\phi 1-1/2"$  [38mm] for Hot/Cold Side [1-1/4" [32mm] Minimum]

**Product Specifications:**

**EasyInstall Faucet, 1.5 GPM Flow Control, 4" Wrist Action  
Handles, Compression Cartridges, 8" Inlet Centers  
& 135X Gooseneck w/ Laminar Flow Device**

Drawn <b>JRM</b>	Checked <b>GEF</b>	Approved <b>JHB</b>
Scale: <b>NTS</b>		Date: <b>07/31/08</b>



**T&S BRASS AND BRONZE WORKS, INC.**

2 Saddleback Cove / P.O. Box 1088  
Travelers Rest, SC 29690



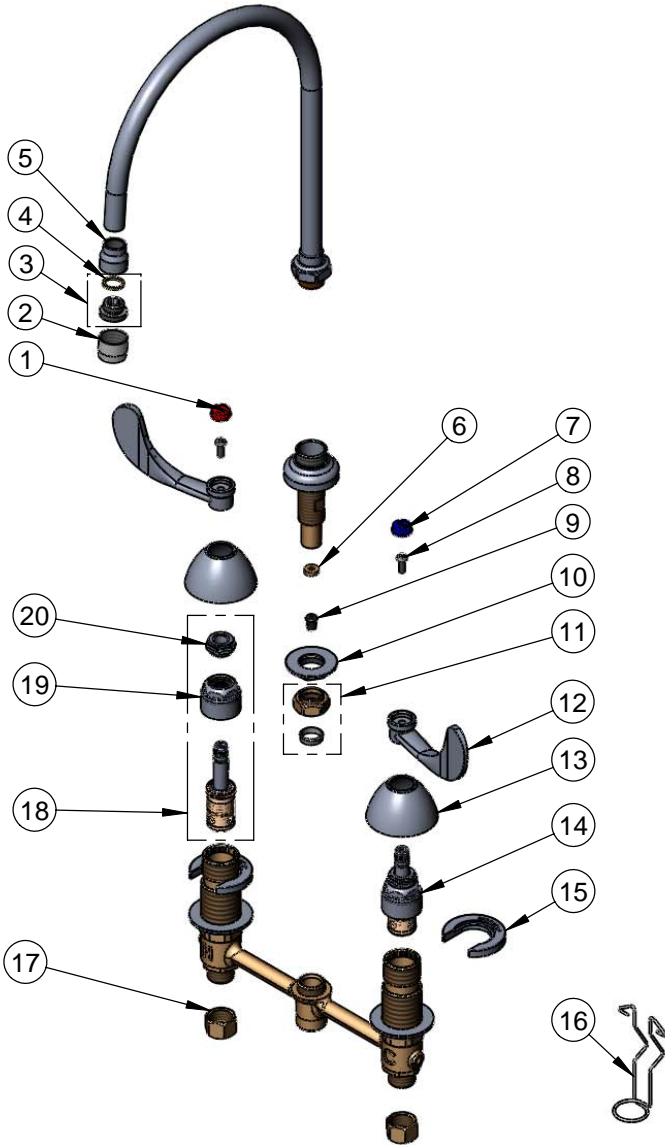
REG. #A2601  
ISO #9001

Model No.

**B-2855-02**

Item No.

Travelers Rest, SC: 800-476-4103 Simi Valley, CA: 800-423-0150 Fax: 864-834-3518 www.tsbrass.com



ITEM NO.	SALES NO.	DESCRIPTION
1	001194-45	Red HW Index
2	B-0199-21	Laminar Flow Device
3	044A	Adapter
4	001043-45	Washer
5	000557-25	Bell Adapter
6	009069-45	Flow Control Holder
7	001686-45	Blue CW Index
8	000925-45	Lab Handle Screw
9	001644-45	1.5 GPM Flow Tower
10	016742-45	Center Flange Nut
11	016745-45	Compression Nut & Fitting
12	B-WH4	4" Wrist Action Handle
13	001257-40	Bell Escutcheon
14	016752-40	CWS Bonnet & LTC Eterna Cartridge
15	016749-45	C-Washer
16	016777-45	CWS Hanger
17	000958-20	Coupling Nut
18	016753-40	CWS Bonnet & RTC Eterna Cartridge
19	016743-25	CWS Bonnet Assembly
20	009002-25	Packing Nut Assembly



017245-40

Installation Repair Kit  
Includes #10, (2)#15, & #16

Product Specifications:

EasyInstall Faucet, 1.5 GPM Flow Control, 4" Wrist Action Handles, Compression Cartridges, 8" Inlet Centers & 135X Gooseneck w/ Laminar Flow Device

Drawn <b>JRM</b>	Checked <b>GEF</b>	Approved <b>JHB</b>
Scale: <b>NTS</b>		Date: <b>07/31/08</b>