



# T&S BRASS AND BRONZE WORKS, INC.

2 Saddleback Cove / P.O. Box 1088  
Travelers Rest, SC 29690



REG. #A2601  
ISO #9001

Model No.

**B-2862-LF16-WH4**

Item No.

Travelers Rest, SC: 800-476-4103 Simi Valley, CA: 800-423-0150 Fax: 864-834-3518 www.tsbrass.com

This Space for Architect/Engineer Approval

Job Name \_\_\_\_\_ Date \_\_\_\_\_

Model Specified \_\_\_\_\_ Quantity \_\_\_\_\_

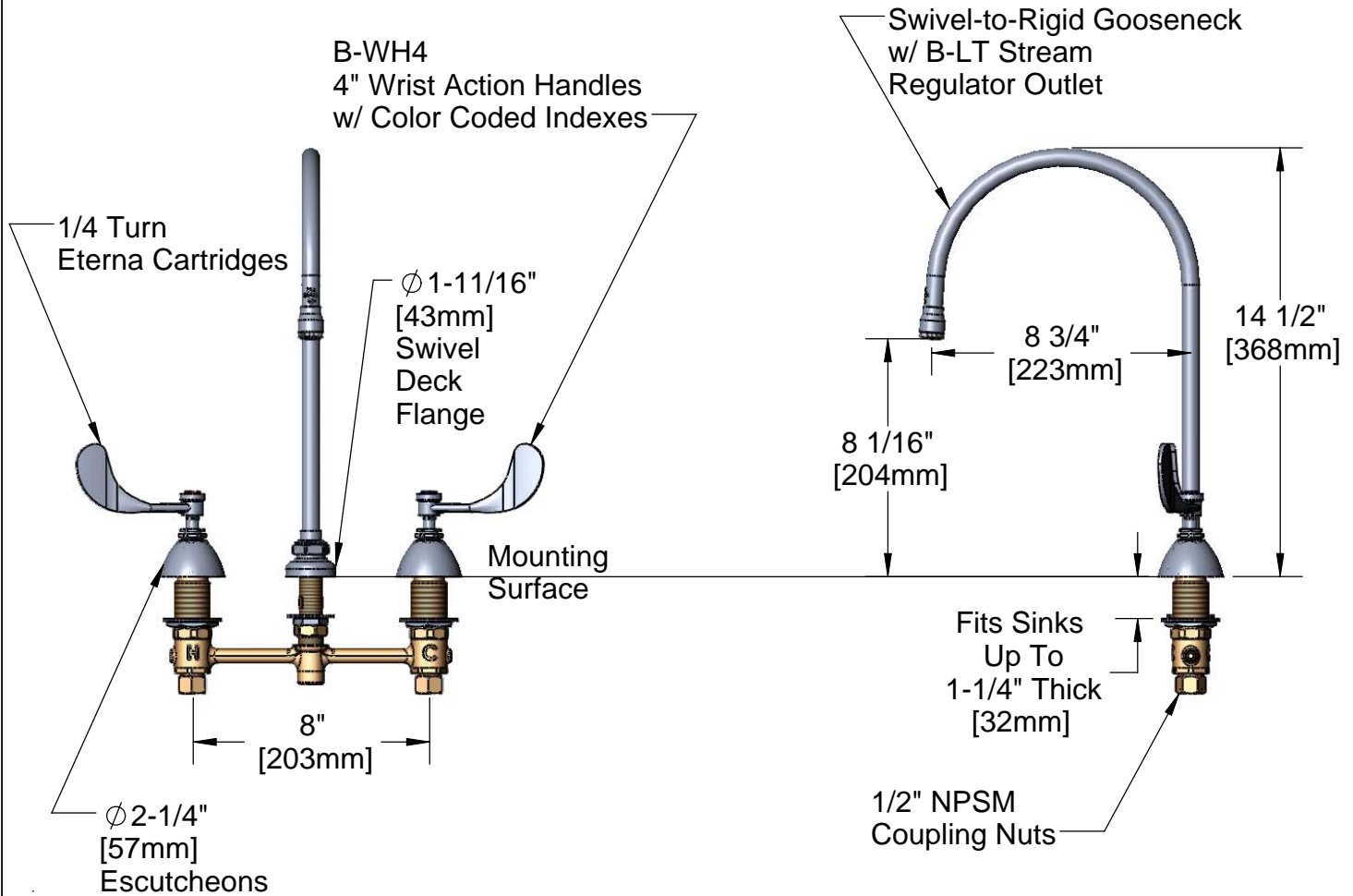
Customer/Wholesaler \_\_\_\_\_

Contractor \_\_\_\_\_

Architect/Engineer \_\_\_\_\_



**ADA Compliant**



**Note: Rough-In Required:**

Ø 1" [25mm] for Center Shank

Ø 1-1/2" [38mm] for Hot/Cold Side [1-1/4" [32mm] Minimum]

**Product Specifications:**

**EasyInstall Faucet w/ 4" Wrist Action Handles, 1/4 Turn Comp Cartridges, 8" Inlet Centers, 1.6 GPM Flow Control, & Swivel Gooseneck w/ Stream Regulator Outlet**

Drawn <b>JRM</b>	Checked <b>GEF</b>	Approved <b>JHB</b>
Scale: <b>NTS</b>		Date: <b>8/05/08</b>



# T&S BRASS AND BRONZE WORKS, INC.

2 Saddleback Cove / P.O. Box 1088  
Travelers Rest, SC 29690



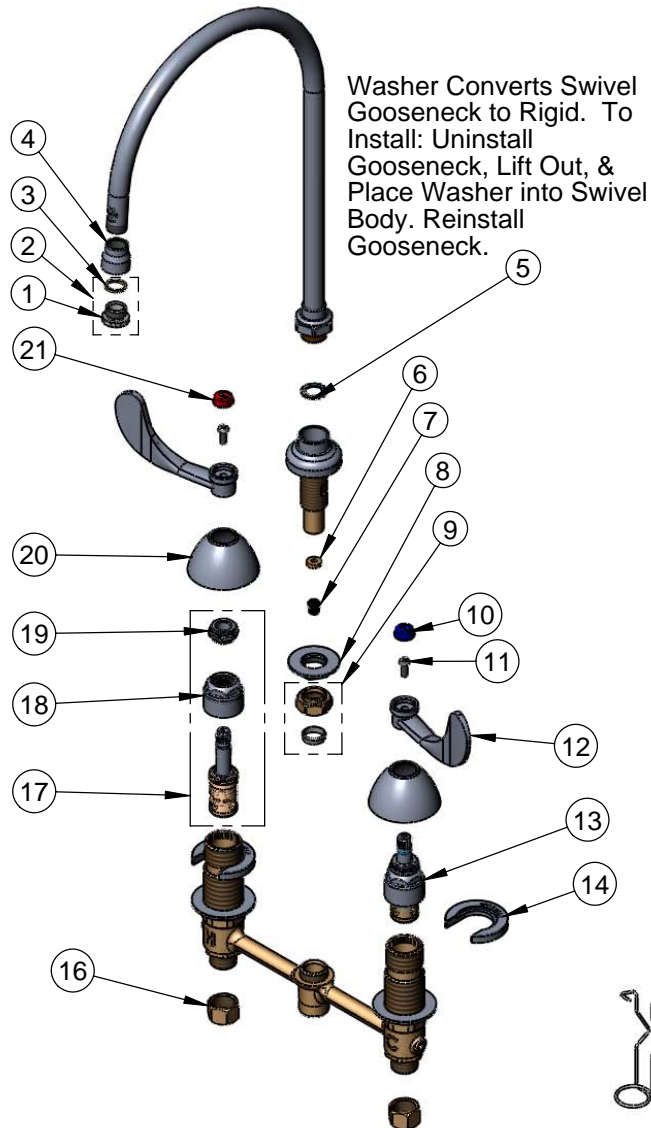
REG. #A2601  
ISO #9001

Model No.

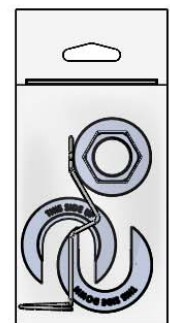
**B-2862-LF16-WH4**

Item No.

Travelers Rest, SC: 800-476-4103 Simi Valley, CA: 800-423-0150 Fax: 864-834-3518 www.tsbrass.com



ITEM NO.	SALES NO.	DESCRIPTION
1	000861-25	Tip, Lab Faucet
2	B-LT	Stream Regulator Outlet
3	001043-45	Washer
4	000557-25	Adapter Bell, 5/8-27 X 3/8
5	014200-45	Star Washer, Anti-Rotation
6	009069-45	Flow Control Holder
7	016232-45	Flow Tower, 1.6 GPM
8	016742-45	Center Flange Nut
9	016745-45	Compression Nut & Fitting
10	001686-45	Blue CW Index
11	000925-45	Lab Handle Screw
12	B-WH4	4" Wrist Action Handle
13	016925-40	1/4 Turn LTC Eterna (Teflon)
14	016749-45	Sidebody C-Washer
15	016777-45	CWS Hanger
16	000958-20	Coupling Nut
17	016926-40	1/4 Turn RTC Eterna (Teflon)
18	016743-25	CWS Bonnet Assembly
19	009002-25	Packing Nut Assembly
20	001257-40	Bell Escutcheon
21	001194-45	Red HW Index



017245-40  
Installation Repair Kit  
Includes #8, (2)#14, #15

Product Specifications:

EasyInstall Faucet w/ 4" Wrist Action Handles, 1/4 Turn Comp Cartridges, 8" Inlet Centers, 1.6 GPM Flow Control, & Swivel Gooseneck w/ Stream Regulator Outlet

Drawn <b>JRM</b>	Checked <b>GEF</b>	Approved <b>JHB</b>
Scale: <b>NTS</b>		Date: <b>8/05/08</b>