



T&S BRASS AND BRONZE WORKS, INC.

2 Saddleback Cove / P.O. Box 1088
Travelers Rest, SC 29690



REG. #A2601
ISO #9001

Model No.

B-2863

Item No.

Travelers Rest, SC: 800-476-4103 Simi Valley, CA: 800-423-0150 Fax: 864-834-3518 www.tsbrass.com

This Space for Architect/Engineer Approval

Job Name _____ Date _____

Model Specified _____ Quantity _____

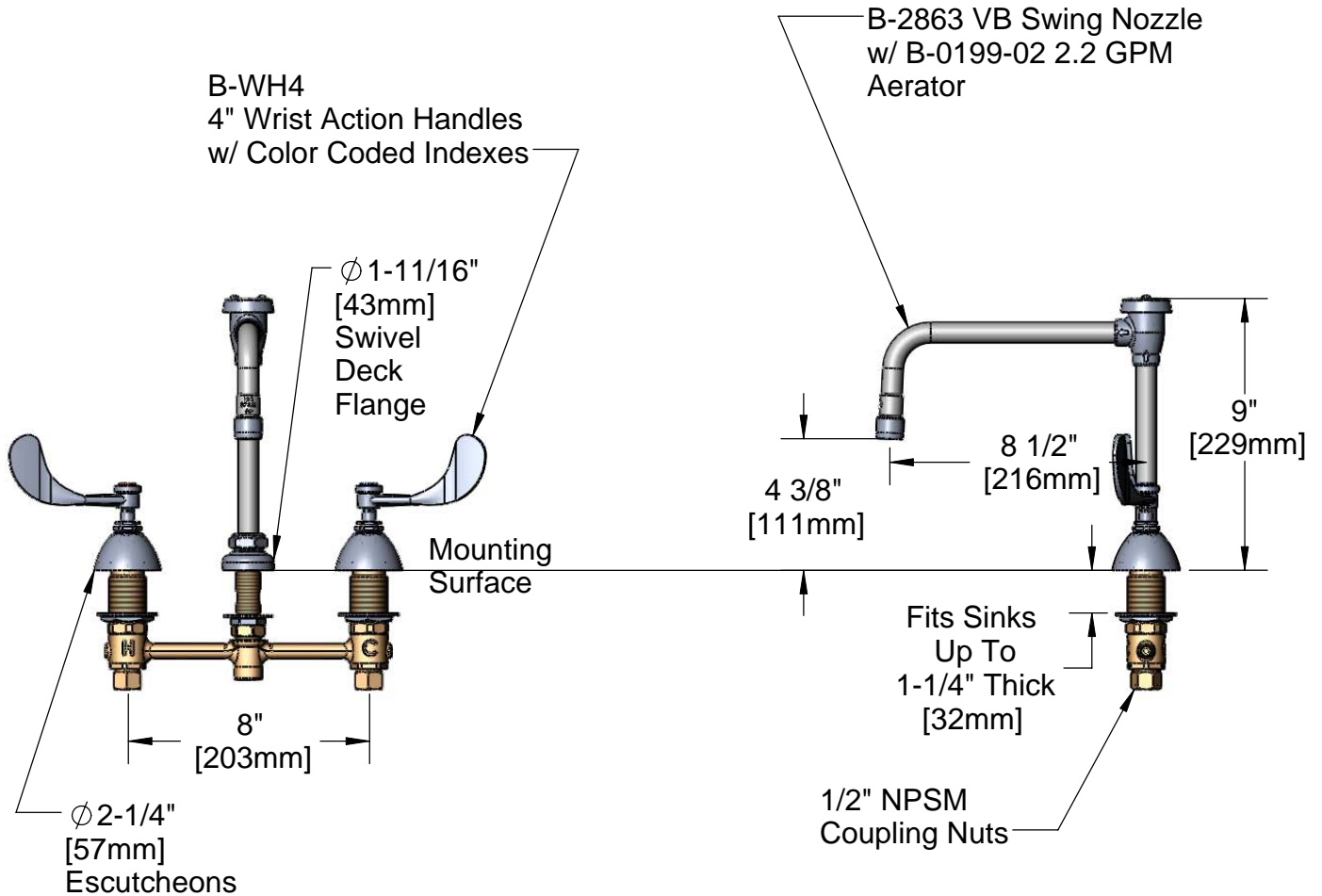
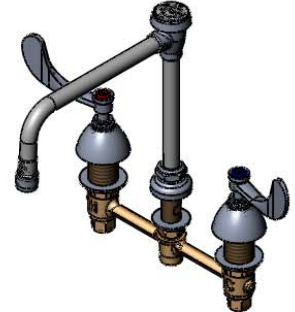
Customer/Wholesaler _____

Contractor _____

Architect/Engineer _____



ADA Compliant



Note: Rough-In Required:

$\phi 1"$ [25mm] for Center Shank

$\phi 1-1/2"$ [38mm] for Hot/Cold Side [1-1/4" [32mm] Minimum]

Product Specifications:

**EasyInstall Faucet w/ 4" Wrist Action Handles,
Compression Cartridges, 8" Inlet Centers &
B-2863 VB Swing Nozzle w/ 2.2 GPM Aerator**

Drawn
JRM

Checked
GEF

Approved
JHB

Scale:

NTS

Date:

07/31/08



T&S BRASS AND BRONZE WORKS, INC.

2 Saddleback Cove / P.O. Box 1088
Travelers Rest, SC 29690



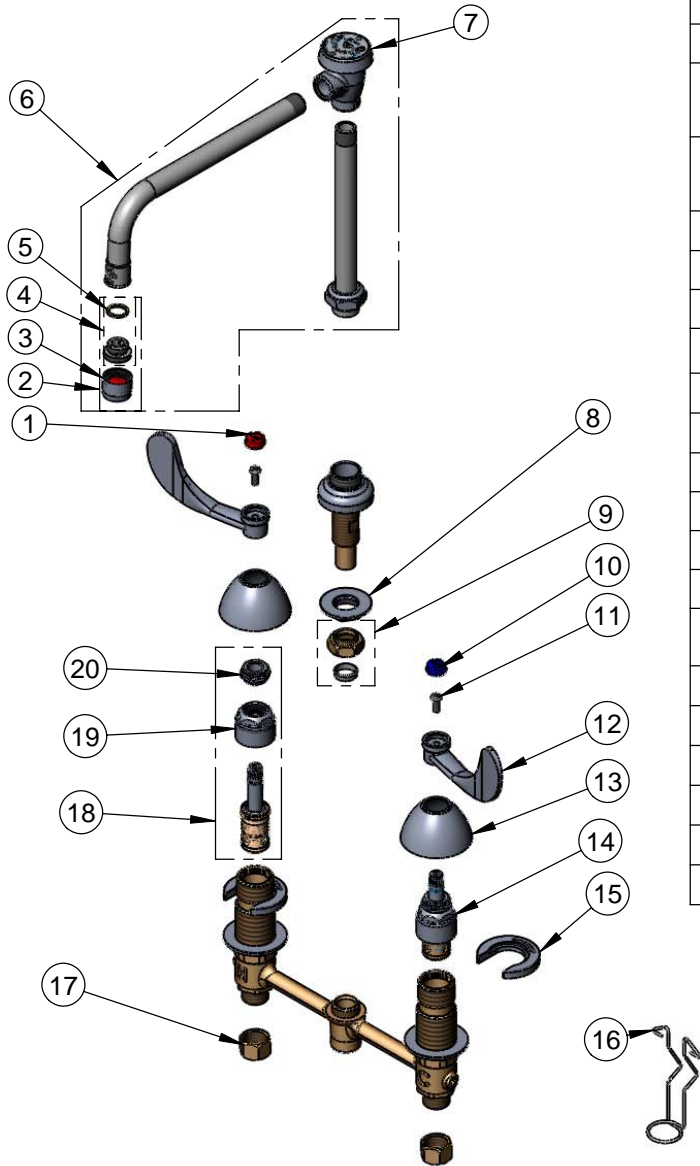
REG. #A2601
ISO #9001

Model No.

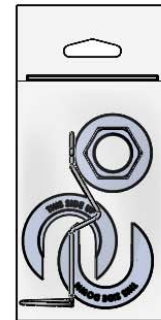
B-2863

Item No.

Travelers Rest, SC: 800-476-4103 Simi Valley, CA: 800-423-0150 Fax: 864-834-3518 www.tsbrass.com



ITEM NO.	SALES NO.	DESCRIPTION
1	001194-45	Red HW Index
2	B-0199-02	2.2 GPM Aerator, 3/8" Male
3	B-0199-01	Aerator, 2.2 GPM, 55/64-27 Female
4	044A	3/8" to Aerator Adapter
5	001043-45	Washer
6	B-0407-03	Swivel Nozzle w/ 3/8" VB
7	B-0968	Vacuum Breaker Asm, 3/8"
8	016742-45	Center Flange Nut
9	016745-45	Compression Nut & Fitting
10	001686-45	Blue CW Index
11	000925-45	Lab Handle Screw
12	B-WH4	4" Wrist Action Handle
13	001257-40	Bell Escutcheon
14	016752-40	EZ-Install LTC Eterna (Teflon)
15	016749-45	Sidebody C-Washer
16	016777-45	CWS Hanger
17	000958-20	Coupling Nut
18	016753-40	EZ-Install RTC Eterna (Teflon)
19	016743-25	CWS Bonnet Assembly
20	009002-25	Packing Nut Assembly



017245-40
Installation Repair Kit
Includes #8, (2)#15, & #16

Product Specifications:

EasyInstall Faucet w/ 4" Wrist Action Handles,
Compression Cartridges, 8" Inlet Centers &
B-2863 VB Swing Nozzle w/ 2.2 GPM Aerator

Drawn JRM	Checked GEF	Approved JHB
Scale: NTS		Date: 07/31/08