



T&S BRASS AND BRONZE WORKS, INC.

2 Saddleback Cove / P.O. Box 1088
Travelers Rest, SC 29690



REG. #A2601
ISO #9001

Model No.

B-2865-LF05

Item No.

Travelers Rest, SC: 800-476-4103 Simi Valley, CA: 800-423-0150 Fax: 864-834-3518 www.tsbrass.com

This Space for Architect/Engineer Approval

Job Name _____ Date _____

Model Specified _____ Quantity _____

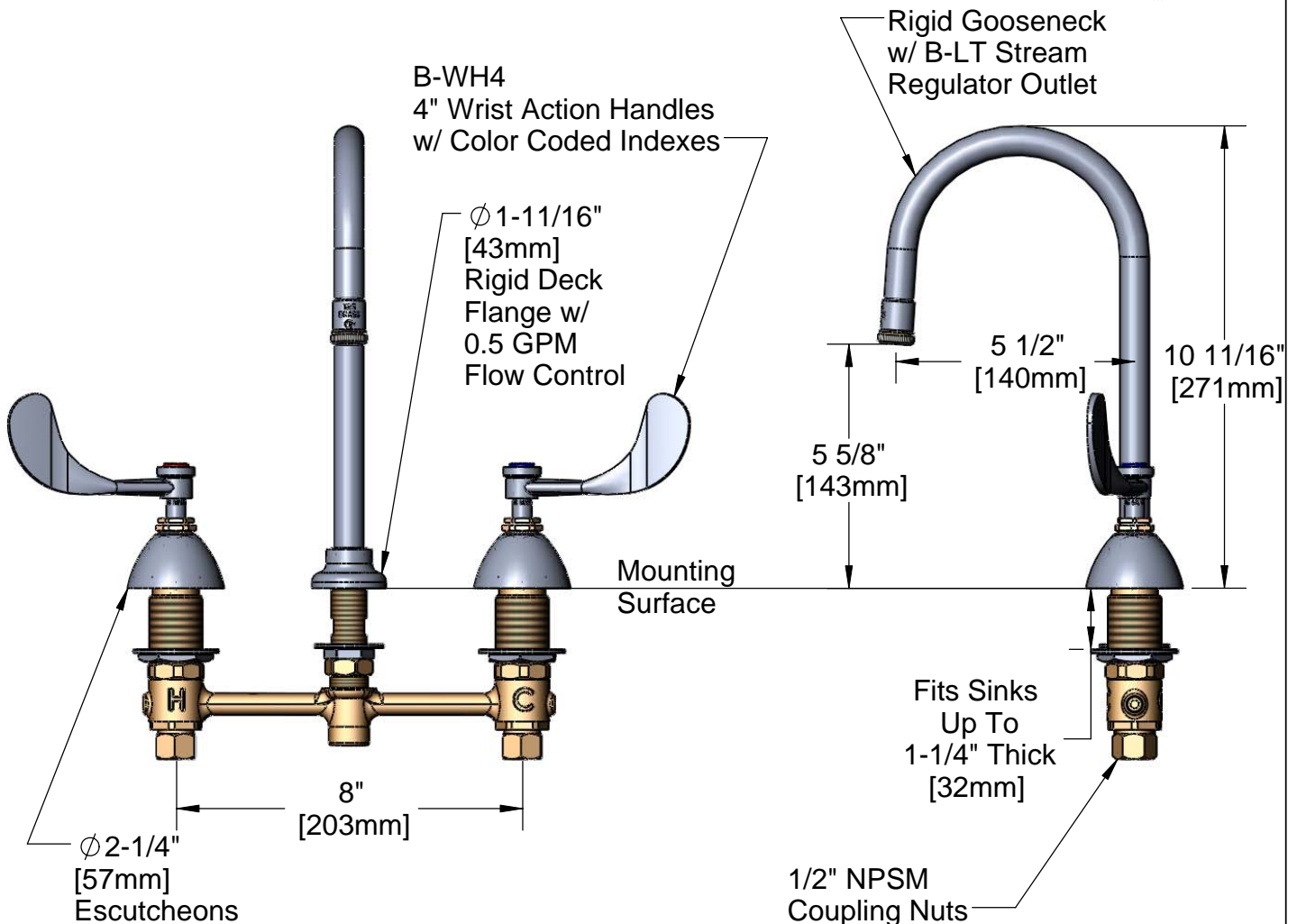
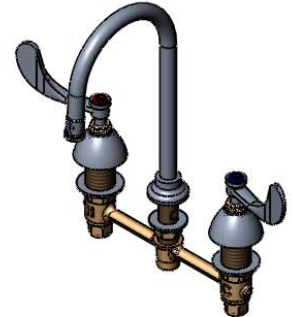
Customer/Wholesaler _____

Contractor _____

Architect/Engineer _____



ADA Compliant



Note: Rough-In Required:
 ϕ 1" [25mm] for Center Shank
 ϕ 1-1/2" [38mm] for Hot/Cold Side [1-1/4" [32mm] Minimum]

Product Specifications:
**EasyInstall Faucet w/ 4" Wrist Action Handles,
Compression Cartridges, 8" Inlet Centers,
Rigid Gooseneck w/ Stream Regulator Outlet
& 0.5 GPM Flow Rate**

Drawn JRM	Checked GEF	Approved JHB
Scale: NTS		Date: 07/31/08



T&S BRASS AND BRONZE WORKS, INC.

2 Saddleback Cove / P.O. Box 1088
Travelers Rest, SC 29690



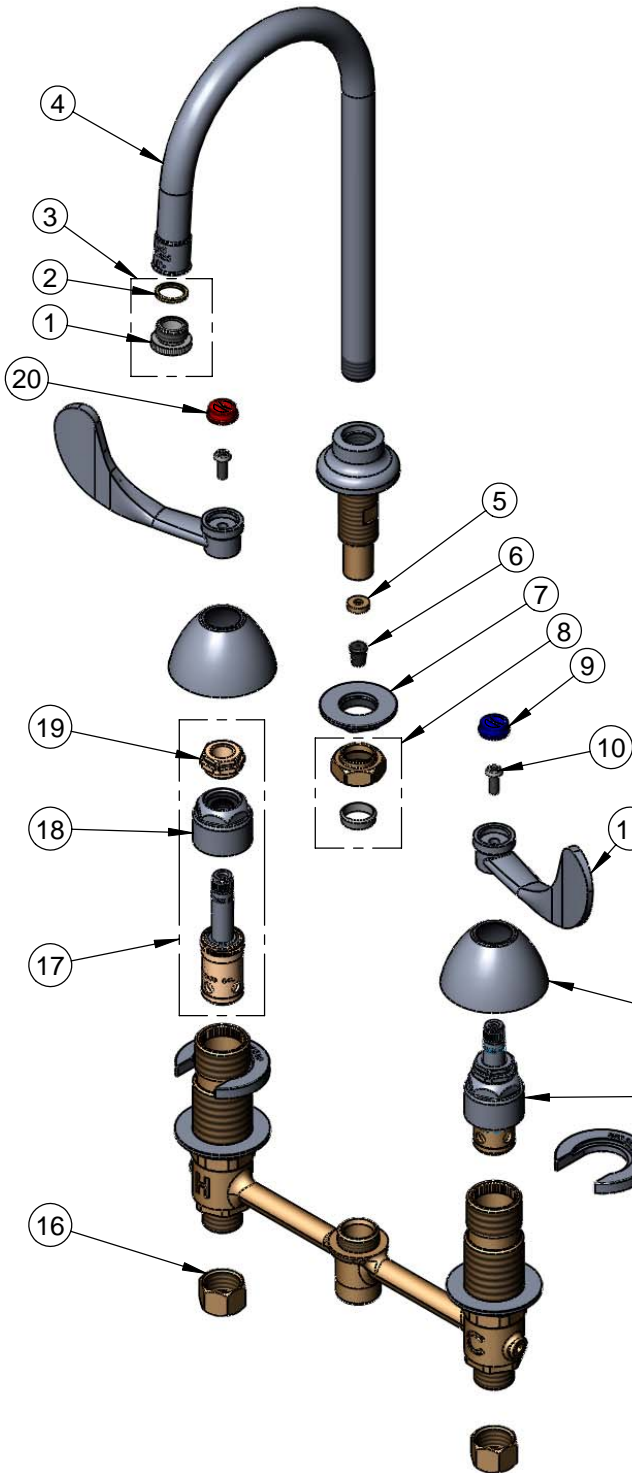
REG. #A2601
ISO #9001

Model No.

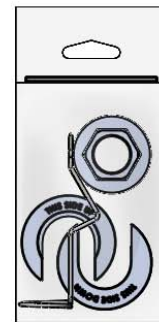
B-2865-LF05

Item No.

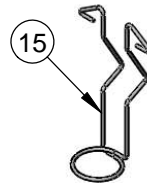
Travelers Rest, SC: 800-476-4103 Simi Valley, CA: 800-423-0150 Fax: 864-834-3518 www.tsbrass.com



ITEM NO.	SALES NO.	DESCRIPTION
1	000861-25	Stream Regulator Tip
2	001043-45	Washer
3	B-LT	Stream Regulator Outlet
4	000398-40	Rigid Gooseneck
5	009069-45	Flow Control Holder
6	001640-45	Flow Tower, 0.5 GPM
7	016742-45	Center Flange Nut
8	016745-45	Compression Nut & Fitting
9	001686-45	Blue CW Index
10	000925-45	Lab Handle Screw
11	B-WH4	4" Wrist Action Handle
12	001257-40	Bell Escutcheon
13	016752-40	EZ-Install LTC Eterna (Teflon)
14	016749-45	Sidebody C-Washer
15	016777-45	CWS Hanger
16	000958-20	Coupling Nut
17	016753-40	EZ-Install RTC Eterna (Teflon)
18	016743-25	CWS Bonnet Assembly
19	009002-25	Packing Nut Assembly
20	001194-45	Red HW Index



017245-40
Installation Repair Kit
Includes #7, (2)#14, & #15



Product Specifications:

EasyInstall Faucet w/ 4" Wrist Action Handles,
Compression Cartridges, 8" Inlet Centers,
Rigid Gooseneck w/ Stream Regulator Outlet
& 0.5 GPM Flow Rate

Drawn JRM	Checked GEF	Approved JHB
Scale: NTS		Date: 07/31/08