



T&S BRASS AND BRONZE WORKS, INC.

2 Saddleback Cove / P.O. Box 1088
Travelers Rest, SC 29690



REG. #A2601
ISO #9001

Model No.

B-2866-05CR

Item No.

Travelers Rest, SC: 800-476-4103 Simi Valley, CA: 800-423-0150 Fax: 864-834-3518 www.tsbrass.com

This Space for Architect/Engineer Approval

Job Name _____ Date _____

Model Specified _____ Quantity _____

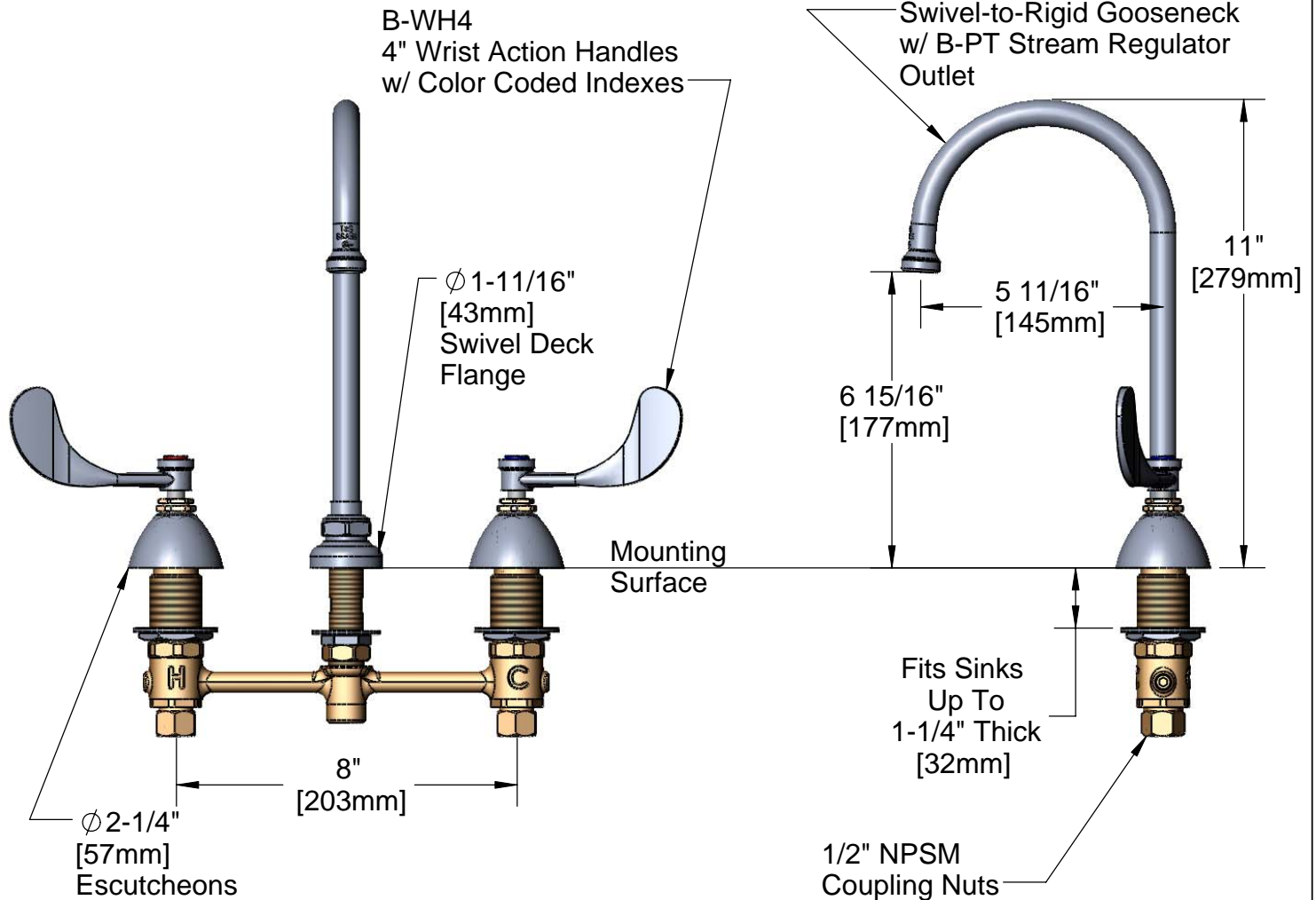
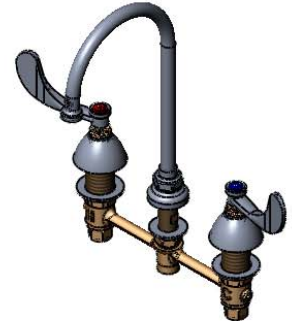
Customer/Wholesaler _____

Contractor _____

Architect/Engineer _____



ADA Compliant



Note: Rough-In Required:
 $\phi 1"$ [25mm] for Center Shank
 $\phi 1-1/2"$ [38mm] for Hot/Cold Side [1-1/4" [32mm] Minimum]

Product Specifications:

**EasyInstall Faucet w/ Ceramic Cartridges,
4" Wrist Action Handles, 8" Inlet Centers &
Swivel Gooseneck w/ B-PT Stream Regulator Outlet**

Drawn JRM	Checked GEF	Approved JHB
Scale: NTS		Date: 8/05/08



T&S BRASS AND BRONZE WORKS, INC.

2 Saddleback Cove / P.O. Box 1088
Travelers Rest, SC 29690



REG. #A2601
ISO #9001

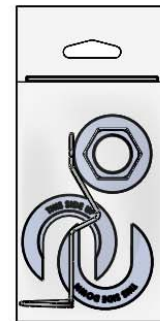
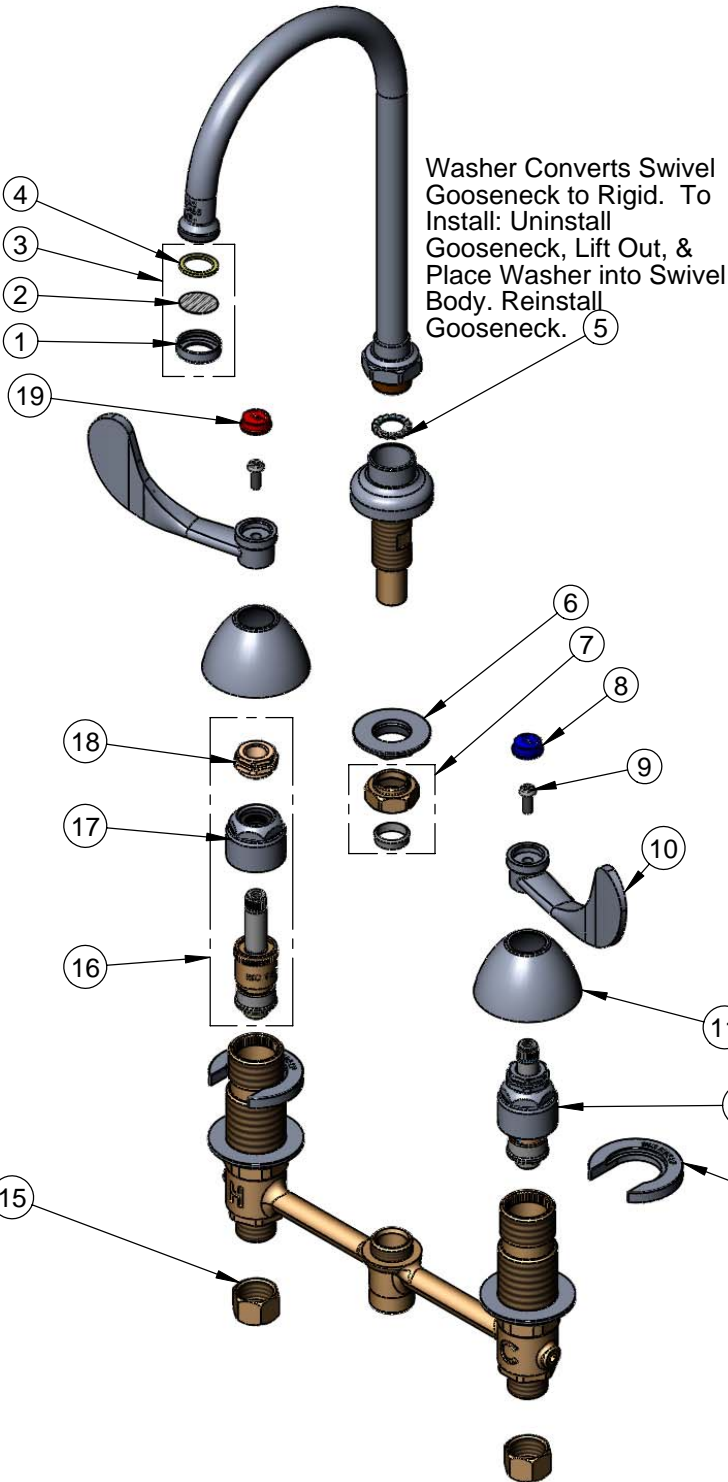
Model No.

B-2866-05CR

Item No.

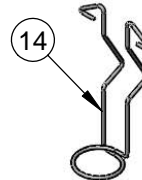
Travelers Rest, SC: 800-476-4103 Simi Valley, CA: 800-423-0150 Fax: 864-834-3518 www.tsbrass.com

ITEM NO.	SALES NO.	DESCRIPTION
1	000863-25	Nozzle Tip & Index Ring
2	001323-45	Screen
3	B-PT	Stream Regulator Outlet
4	001048-45	Nozzle Tip Washer
5	014200-45	Star Washer, Anti-Rotation
6	016742-45	Center Flange Nut
7	016745-45	Compression Nut & Fitting
8	001686-45	Blue CW Index
9	000925-45	Lab Handle Screw
10	B-WH4	4" Wrist Action Handle
11	001257-40	Bell Escutcheon
12	016768-25	EZ-Install CWS Cerama LTC
13	016749-45	Sidebody C-Washer
14	016777-45	CWS Hanger
15	000958-20	Coupling Nut
16	016767-25	EZ-Install CWS Cerama RTC
17	016743-25	CWS Bonnet Assembly
18	009002-25	Packing Nut Assembly
19	001194-45	Red HW Index



017245-40

Installation Repair Kit
Includes #6, (2)#13, & #14



Product Specifications:

EasyInstall Faucet w/ Ceramic Cartridges,
4" Wrist Action Handles, 8" Inlet Centers &
Swivel Gooseneck w/ B-PT Stream Regulator Outlet

Drawn JRM	Checked GEF	Approved JHB
Scale: NTS		Date: 8/05/08