



# T&S BRASS AND BRONZE WORKS, INC.

2 Saddleback Cove / P.O. Box 1088  
Travelers Rest, SC 29690



REG. #A2601  
ISO #9001

Model No.

**B-2866-05VRS**

Item No.

Travelers Rest, SC: 800-476-4103 Simi Valley, CA: 800-423-0150 Fax: 864-834-3518 www.tsbrass.com

This Space for Architect/Engineer Approval

Job Name \_\_\_\_\_ Date \_\_\_\_\_

Model Specified \_\_\_\_\_ Quantity \_\_\_\_\_

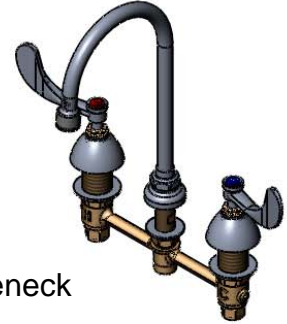
Customer/Wholesaler \_\_\_\_\_

Contractor \_\_\_\_\_

Architect/Engineer \_\_\_\_\_



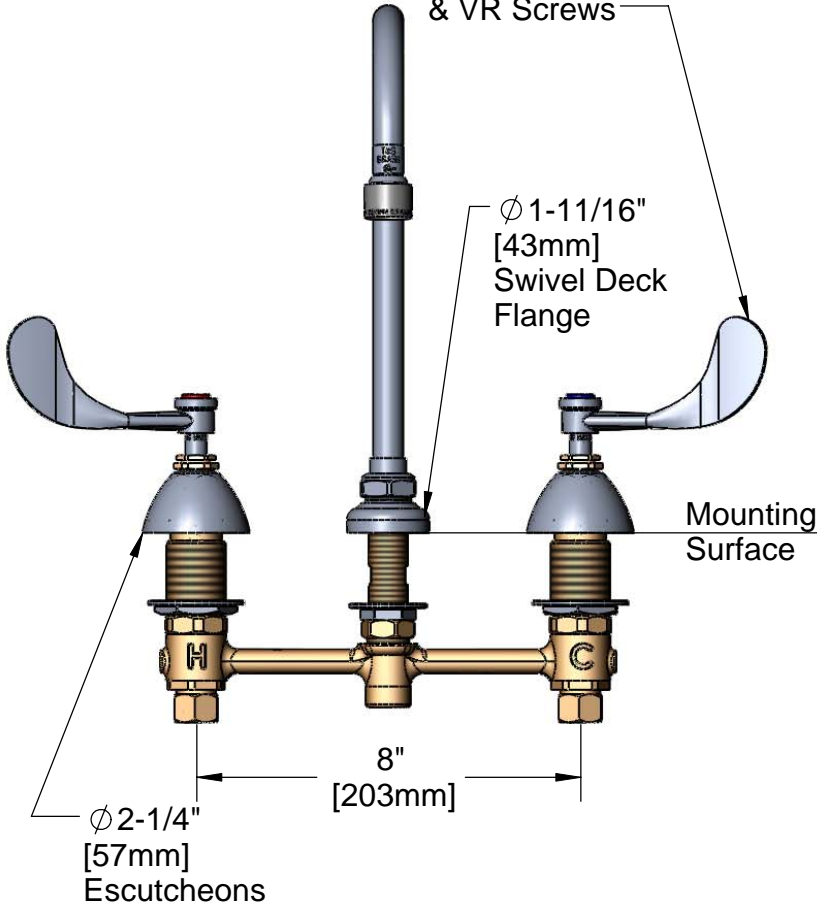
**ADA Compliant**



Swivel Gooseneck  
w/ B-0199-06  
VR Aerator

B-WH4  
4" Wrist Action Handles  
w/ Color Coded Indexes  
& VR Screws

Ø 1-11/16"  
[43mm]  
Swivel Deck  
Flange



Fits Sinks  
Up To  
1-1/4" Thick  
[32mm]

1/2" NPSM  
Coupling Nuts

Note: Rough-In Required:  
Ø 1" [25mm] for Center Shank  
Ø 1-1/2" [38mm] for Hot/Cold Side [1-1/4" [32mm] Minimum]

Product Specifications:

**EasyInstall Faucet w/ 4" Wrist Action Handles  
w/ VR Screws, Compression cartridges, 8" Inlet  
Centers & Swivel Gooseneck w/ B-0199-06 VR Aerator**

Drawn  
**JRM**

Checked  
**GEF**

Approved  
**JHB**

Scale:

**NTS**

Date:

**07/31/08**



**T&S BRASS AND BRONZE WORKS, INC.**

2 Saddleback Cove / P.O. Box 1088  
Travelers Rest, SC 29690



REG. #A2601  
ISO #9001

Model No.

**B-2866-05VRS**

Item No.

Travelers Rest, SC: 800-476-4103 Simi Valley, CA: 800-423-0150 Fax: 864-834-3518 www.tsbrass.com

ITEM NO.	SALES NO.	DESCRIPTION
1	B-0199-06	VR Aerator w/ Key
2	016742-45	Center Flange Nut
3	016745-45	Compression Nut & Fitting
4	001686-45	Blue CW Index
5	011756-45	VR Screw
6	B-WH4	4" Wrist Action Handle
7	001257-40	Bell Escutcheon
8	016752-40	EZ-Install LTC Eterna (Teflon)
9	016749-45	Sidebody C-Washer
10	Q015425-45	Vandal Resistant Key
11	014075-45	Spanner Bit, for #10 Screw
12	016777-45	CWS Hanger
13	000958-20	Coupling Nut
14	016753-40	EZ-Install RTC Eterna (Teflon)
15	016743-25	CWS Bonnet Assembly
16	009002-25	Packing Nut Assembly
17	001194-45	Red HW Index

017245-40  
Installation Repair Kit  
Includes #2, (2)#9, & #12

Product Specifications:

EasyInstall Faucet w/ 4" Wrist Action Handles  
w/ VR Screws, Compression cartridges, 8" Inlet  
Centers & Swivel Gooseneck w/ B-0199-06 VR Aerator

Drawn <b>JRM</b>	Checked <b>GEF</b>	Approved <b>JHB</b>
Scale: <b>NTS</b>		Date: <b>07/31/08</b>