



T&S BRASS AND BRONZE WORKS, INC.

2 Saddleback Cove / P.O. Box 1088
Travelers Rest, SC 29690



REG. #A2601
ISO #9001

Model No.

B-2866-CR

Item No.

Travelers Rest, SC: 800-476-4103 Simi Valley, CA: 800-423-0150 Fax: 864-834-3518 www.tsbrass.com

This Space for Architect/Engineer Approval

Job Name _____ Date _____

Model Specified _____ Quantity _____

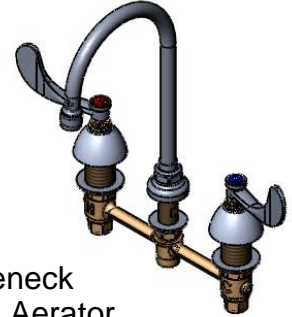
Customer/Wholesaler _____

Contractor _____

Architect/Engineer _____

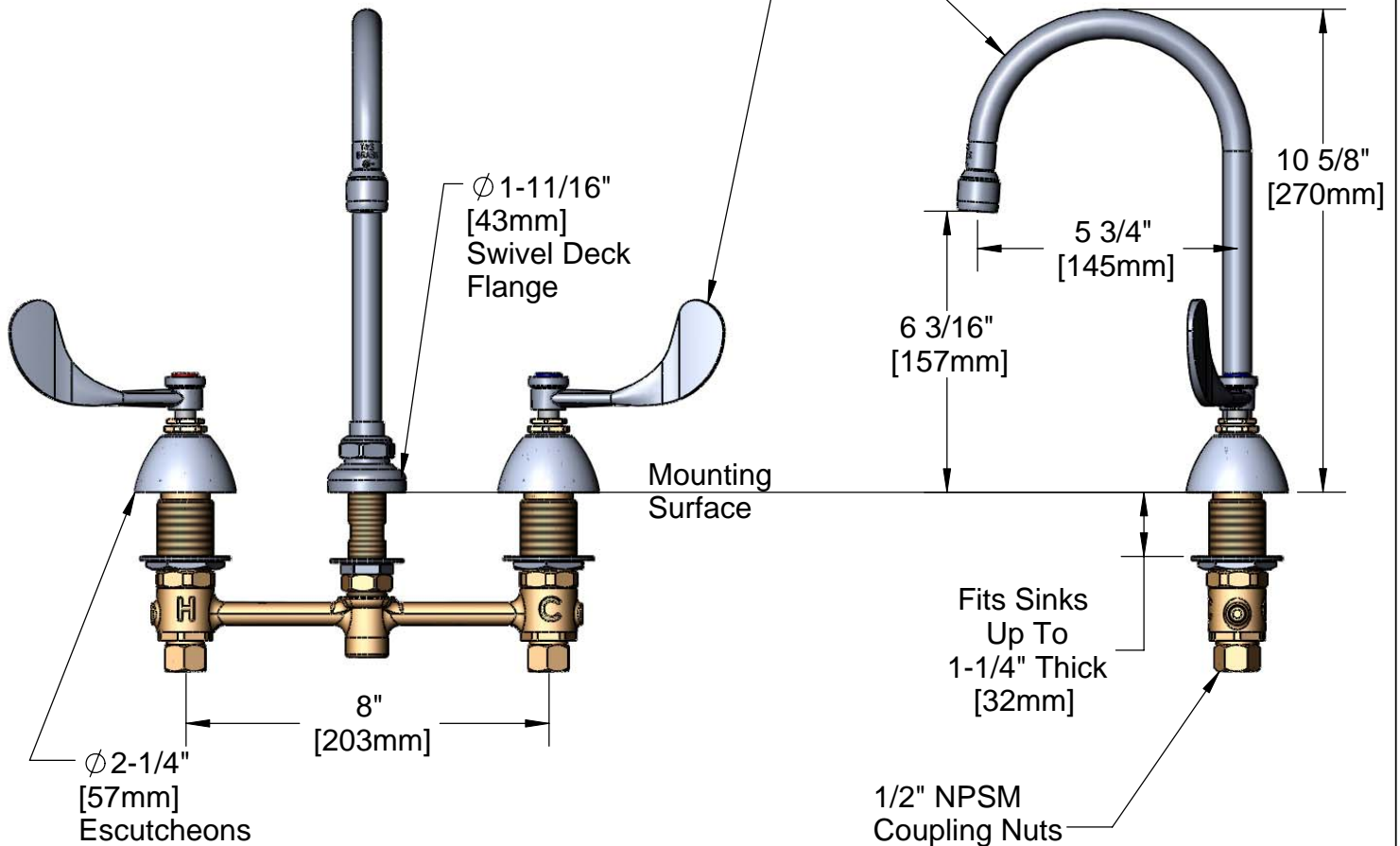


ADA Compliant



Swivel Gooseneck
w/ B-0199-01 Aerator

B-WH4
4" Wrist Action Handles
w/ Color Coded Indexes



Note: Rough-In Required:
 ϕ 1" [25mm] for Center Shank
 ϕ 1-1/2" [38mm] for Hot/Cold Side [1-1/4" [32mm] Minimum]

Product Specifications:

**EasyInstall Faucet w/ Ceramic Cartridges,
4" Wrist Action Handles, 8" Inlet Centers &
Swivel Gooseneck w/ B-0199-01 Aerator**

Drawn JRM	Checked GEF	Approved JHB
Scale: NTS		Date: 11/03/08



T&S BRASS AND BRONZE WORKS, INC.

2 Saddleback Cove / P.O. Box 1088
Travelers Rest, SC 29690



REG. #A2601
ISO #9001

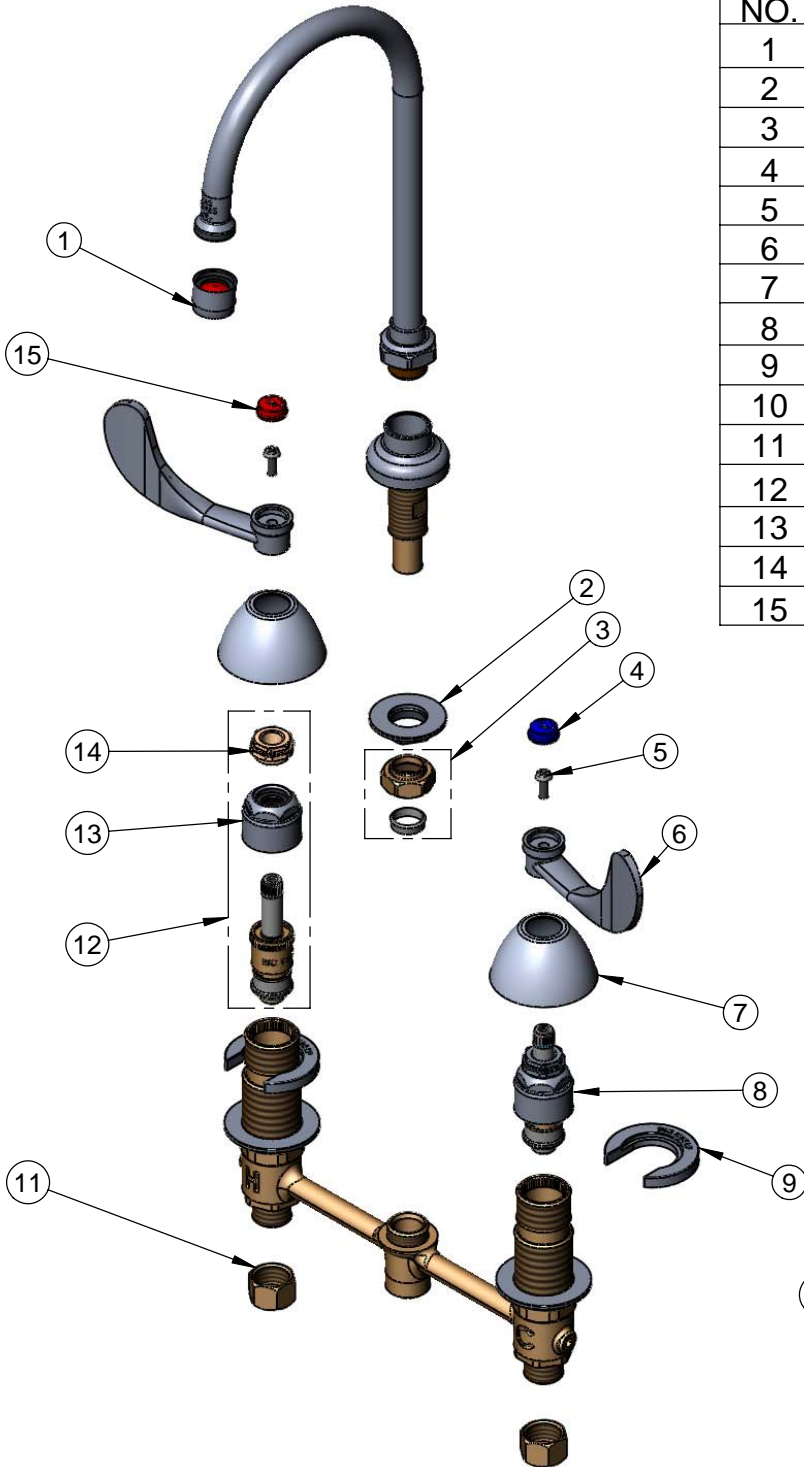
Model No.

B-2866-CR

Item No.

Travelers Rest, SC: 800-476-4103 Simi Valley, CA: 800-423-0150 Fax: 864-834-3518 www.tsbrass.com

ITEM NO.	SALES NO.	DESCRIPTION
1	B-0199-01	2.2 GPM Aerator, Female
2	016742-45	Center Flange Nut
3	016745-45	Compression Nut & Fitting
4	001686-45	Blue CW Index
5	000925-45	Lab Handle Screw
6	B-WH4	4" Wrist Action Handle
7	001257-40	Bell Escutcheon
8	016768-25	EZ-Install CWS Cerama LTC
9	016749-45	Sidebody C-Washer
10	016777-45	CWS Hanger
11	000958-20	Coupling Nut
12	016767-25	EZ-Install CWS Cerama RTC
13	016743-25	CWS Bonnet Assembly
14	009002-25	Packing Nut Assembly
15	001194-45	Red HW Index



017245-40
Installation Repair Kit
Includes #2, (2)#9, & #10

Product Specifications:

EasyInstall Faucet w/ Ceramic Cartridges,
4" Wrist Action Handles, 8" Inlet Centers &
Swivel Gooseneck w/ B-0199-01 Aerator

Drawn JRM	Checked GEF	Approved JHB
Scale: NTS		Date: 11/03/08