



T&S BRASS AND BRONZE WORKS, INC.

2 Saddleback Cove / P.O. Box 1088
Travelers Rest, SC 29690



REG. #A2601
ISO #9001

Model No.
B-2866-LF16-WH4

Item No.

Travelers Rest, SC: 800-476-4103 Simi Valley, CA: 800-423-0150 Fax: 864-834-3518 www.tsbrass.com

This Space for Architect/Engineer Approval

Job Name _____ Date _____

Model Specified _____ Quantity _____

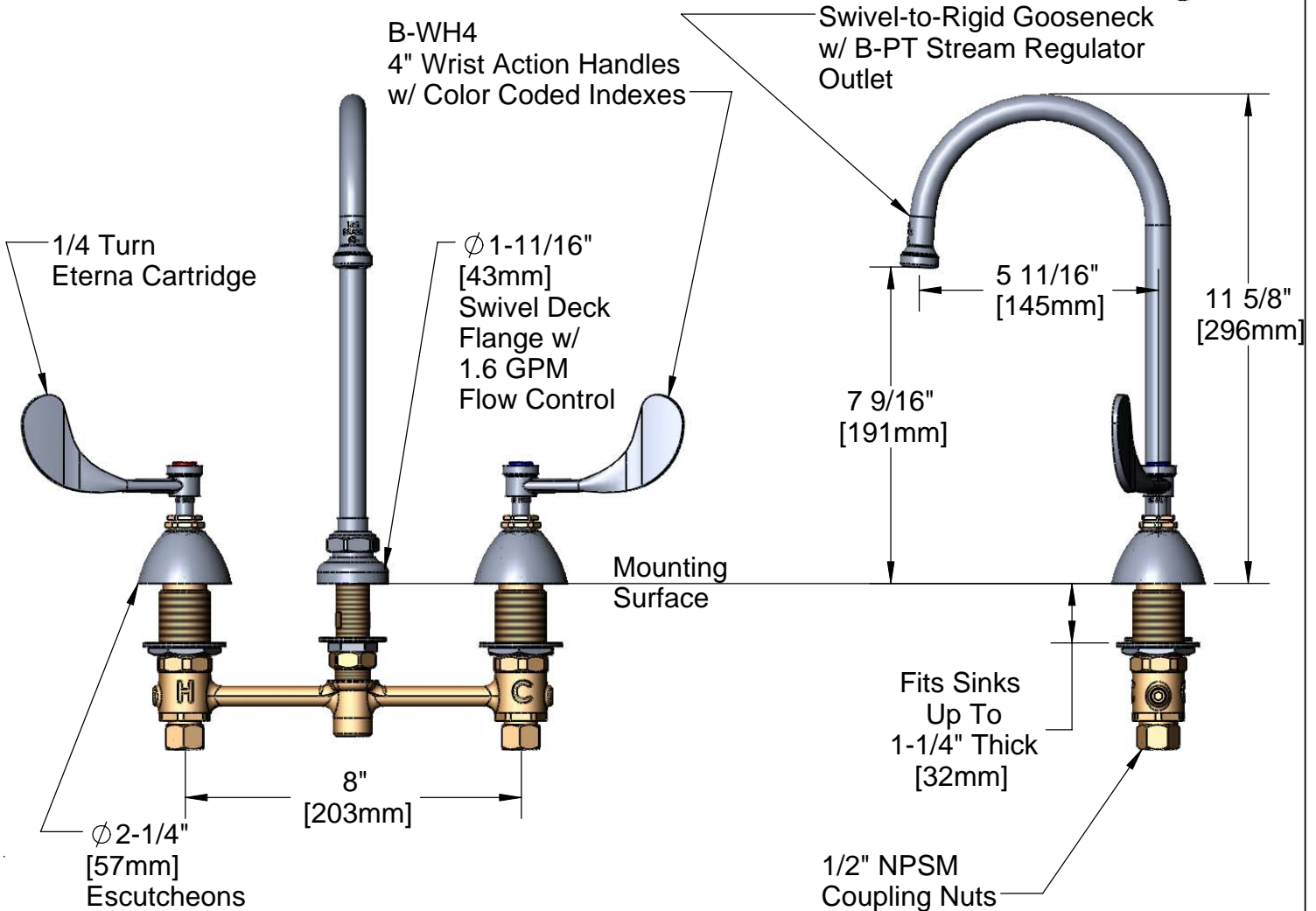
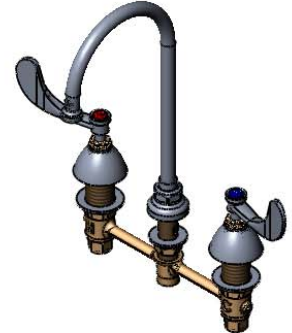
Customer/Wholesaler _____

Contractor _____

Architect/Engineer _____



ADA Compliant



Note: Rough-In Required:
 $\phi 1"$ [25mm] for Center Shank
 $\phi 1-1/2"$ [38mm] for Hot/Cold Side [1-1/4" [32mm] Minimum]

Product Specifications:

EasyInstall Faucet w/ 1.6 GPM Flow Control, 4" Wrist Action Handles, 1/4 Turn Comp Cart., 8" Inlet Centers & Swivel Gooseneck w/ B-PT Stream Regulator Outlet

Drawn JRM	Checked GEF	Approved JHB
Scale: NTS		Date: 8/05/08



T&S BRASS AND BRONZE WORKS, INC.

2 Saddleback Cove / P.O. Box 1088
Travelers Rest, SC 29690



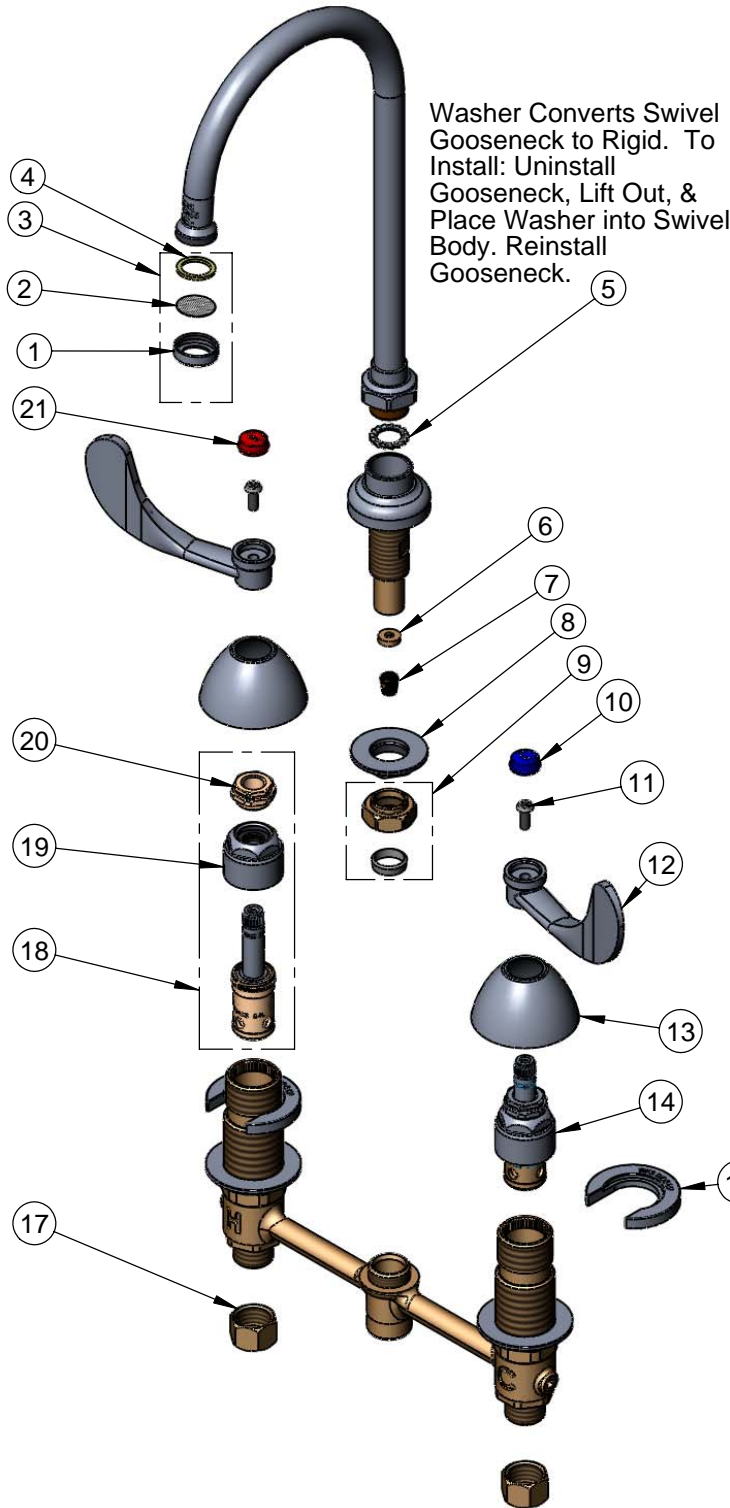
REG. #A2601
ISO #9001

Model No.

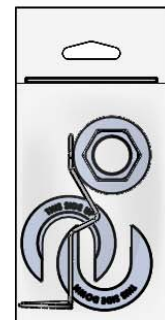
B-2866-LF16-WH4

Item No.

Travelers Rest, SC: 800-476-4103 Simi Valley, CA: 800-423-0150 Fax: 864-834-3518 www.tsbrass.com



ITEM NO.	SALES NO.	DESCRIPTION
1	000863-25	Nozzle Tip & Index Ring
2	001323-45	Screen
3	B-PT	Stream Regulator Outlet
4	001048-45	Nozzle Tip Washer
5	014200-45	Star Washer, Anti-Rotation
6	009069-45	Flow Control Holder
7	016232-45	Flow Tower, 1.6 GPM
8	016742-45	Center Flange Nut
9	016745-45	Compression Nut & Fitting
10	001686-45	Blue CW Index
11	000925-45	Lab Handle Screw
12	B-WH4	4" Wrist Action Handle
13	001257-40	Bell Escutcheon
14	016925-40	1/4 Turn LTC Eterna (Teflon)
15	016749-45	Sidebody C-Washer
16	016777-45	CWS Hanger
17	000958-20	Coupling Nut
18	016926-40	1/4 Turn RTC Eterna (Teflon)
19	016743-25	CWS Bonnet Assembly
20	009002-25	Packing Nut Assembly
21	001194-45	Red HW Index



017245-40
Installation Repair Kit
Includes #8, (2)#15, & #16

Product Specifications:

EasyInstall Faucet w/ 1.6 GPM Flow Control, 4" Wrist Action Handles, 1/4 Turn Comp Cart., 8" Inlet Centers & Swivel Gooseneck w/ B-PT Stream Regulator Outlet

Drawn JRM	Checked GEF	Approved JHB
Scale: NTS		Date: 8/05/08