



T&S BRASS AND BRONZE WORKS, INC.

2 Saddleback Cove / P.O. Box 1088
Travelers Rest, SC 29690



REG. #A2601
ISO #9001

Model No.

B-2867-04FC

Item No.

Travelers Rest, SC: 800-476-4103 Simi Valley, CA: 800-423-0150 Fax: 864-834-3518 www.tsbrass.com

This Space for Architect/Engineer Approval

Job Name _____ Date _____

Model Specified _____ Quantity _____

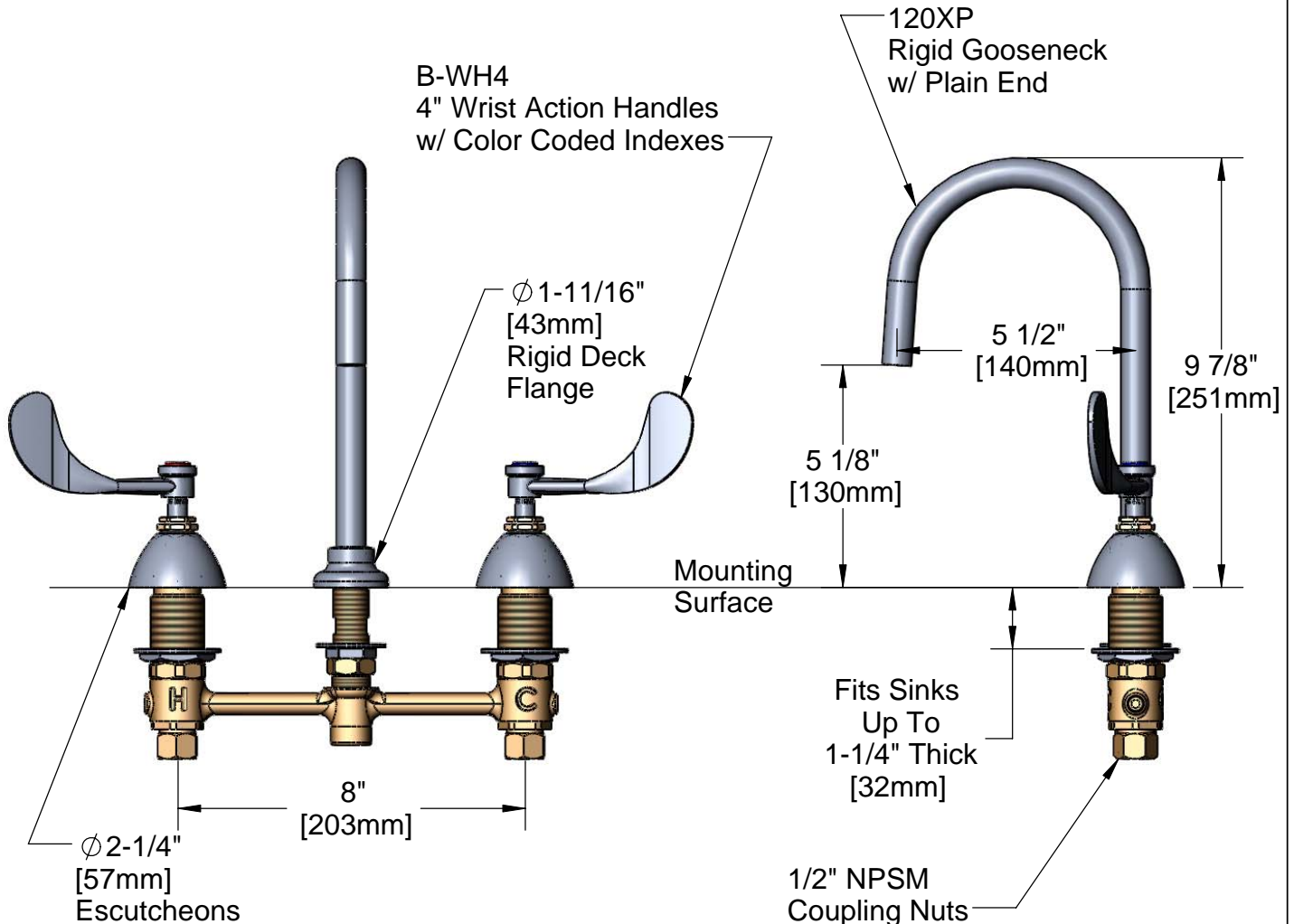
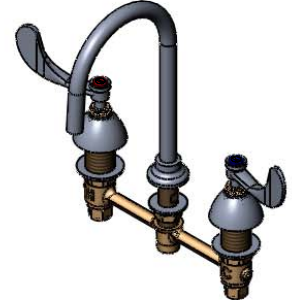
Customer/Wholesaler _____

Contractor _____

Architect/Engineer _____



ADA Compliant



Note: Rough-In Required:
 $\phi 1"$ [25mm] for Center Shank
 $\phi 1-1/2"$ [38mm] for Hot/Cold Side [1-1/4" [32mm] Minimum]

Product Specifications:

**EasyInstall Faucet w/ 1.6 GPM Flow Control,
4" Wrist Action Handles, Compression Cartridges,
8" Inlet Centers & 120 XP Rigid Gooseneck w/ Plain End**

| | | |
|----------------------|-----------------------|--------------------------|
| Drawn JRM | Checked GEF | Approved JHB |
| Scale: NTS | | Date: 07/31/08 |



T&S BRASS AND BRONZE WORKS, INC.

2 Saddleback Cove / P.O. Box 1088
Travelers Rest, SC 29690



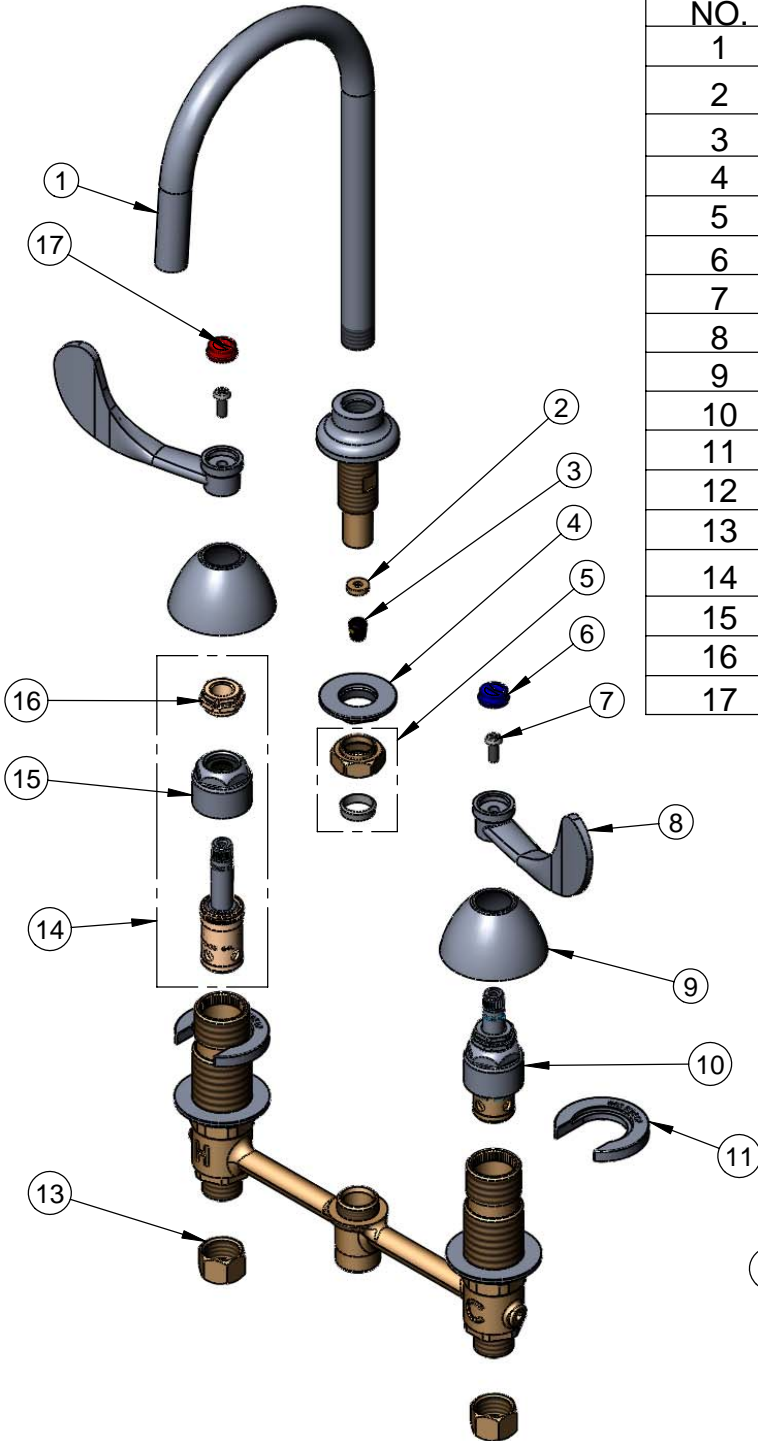
REG. #A2601
ISO #9001

Model No.

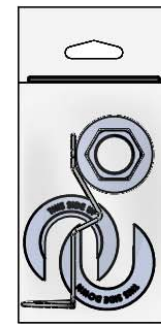
B-2867-04FC

Item No.

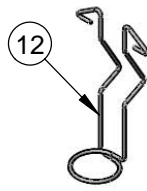
Travelers Rest, SC: 800-476-4103 Simi Valley, CA: 800-423-0150 Fax: 864-834-3518 www.tsbrass.com



| ITEM NO. | SALES NO. | DESCRIPTION |
|----------|-----------|--------------------------------|
| 1 | 120XP | Rigid Gooseneck w/ Plain End |
| 2 | 009069-45 | Flow Control Holder |
| 3 | 016232-45 | Flow Tower, 1.6 GPM |
| 4 | 016742-45 | Center Flange Nut |
| 5 | 016745-45 | Compression Nut & Fitting |
| 6 | 001686-45 | Blue CW Index |
| 7 | 000925-45 | Lab Handle Screw |
| 8 | B-WH4 | 4" Wrist Action Handle |
| 9 | 001257-40 | Bell Escutcheon |
| 10 | 016752-40 | EZ-Install LTC Eterna (Teflon) |
| 11 | 016749-45 | Sidebody C-Washer |
| 12 | 016777-45 | CWS Hanger |
| 13 | 000958-20 | Coupling Nut |
| 14 | 016753-40 | EZ-Install RTC Eterna (Teflon) |
| 15 | 016743-25 | CWS Bonnet Assembly |
| 16 | 009002-25 | Packing Nut Assembly |
| 17 | 001194-45 | Red HW Index |



017245-40
Installation Repair Kit
Includes #4, (2)#11, & #12



Product Specifications:

EasyInstall Faucet w/ 1.6 GPM Flow Control,
4" Wrist Action Handles, Compression Cartridges,
8" Inlet Centers & 120 XP Rigid Gooseneck w/ Plain End

| | | |
|----------------------|-----------------------|--------------------------|
| Drawn JRM | Checked GEF | Approved JHB |
| Scale: NTS | | Date: 07/31/08 |