



T&S BRASS AND BRONZE WORKS, INC.

2 Saddleback Cove / P.O. Box 1088
Travelers Rest, SC 29690



REG. #A2601
ISO #9001

Model No.

B-2868-04

Item No.

Travelers Rest, SC: 800-476-4103 Simi Valley, CA: 800-423-0150 Fax: 864-834-3518 www.tsbrass.com

This Space for Architect/Engineer Approval

Job Name _____ Date _____

Model Specified _____ Quantity _____

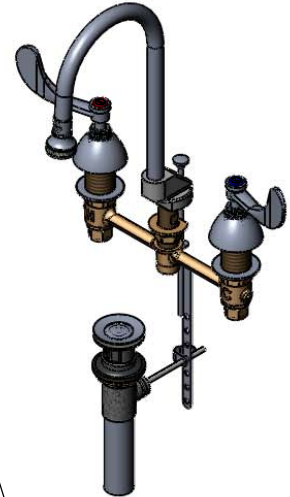
Customer/Wholesaler _____

Contractor _____

Architect/Engineer _____



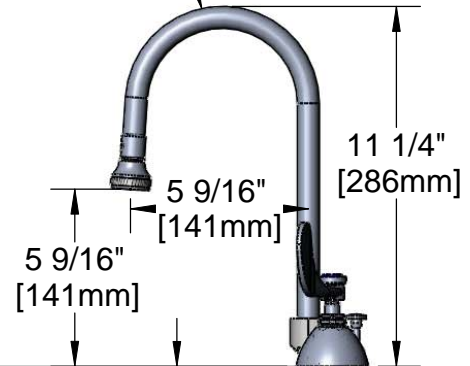
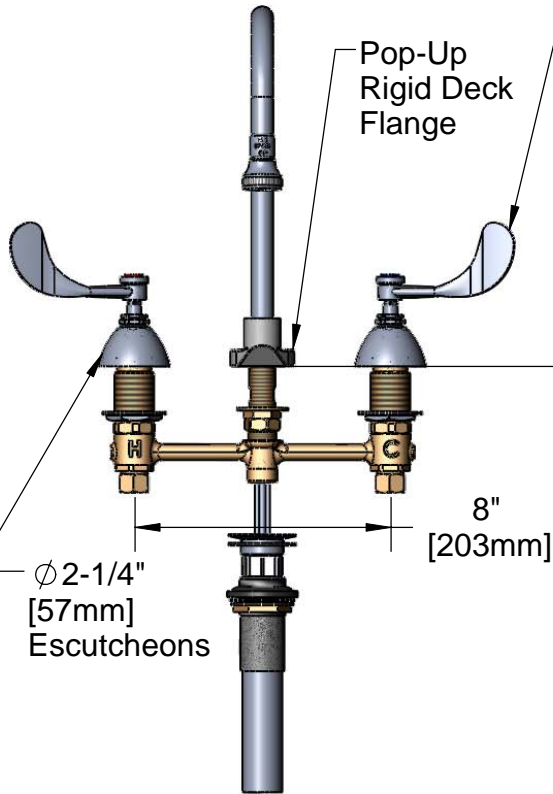
ADA Compliant



B-WH4
4" Wrist Action Handles
w/ Color Coded Indexes

3/8" NPSM Female
Outlet w/ Rosespray

Pop-Up
Rigid Deck
Flange



Mounting
Surface

Fits Sinks
Up To
1-1/4" Thick
[32mm]

1/2" NPSM
Coupling Nuts

Pop-Up Drain Assembly

Note: Rough-In Required:
Ø 1" [25mm] for Center Shank
Ø 1-1/2" [38mm] for Hot/Cold Side [1-1/4" [32mm] Minimum]

Product Specifications:

**EasyInstall Faucet w/ 4" Wrist Action Handles,
Compression Cartridges, 8" Inlet Centers, Pop-Up Drain
& Rigid Gooseneck w/ Rosespray Outlet**

Drawn
JRM

Checked
GEF

Approved
JHB

Scale:

NTS

Date:

07/31/08



T&S BRASS AND BRONZE WORKS, INC.

2 Saddleback Cove / P.O. Box 1088
Travelers Rest, SC 29690



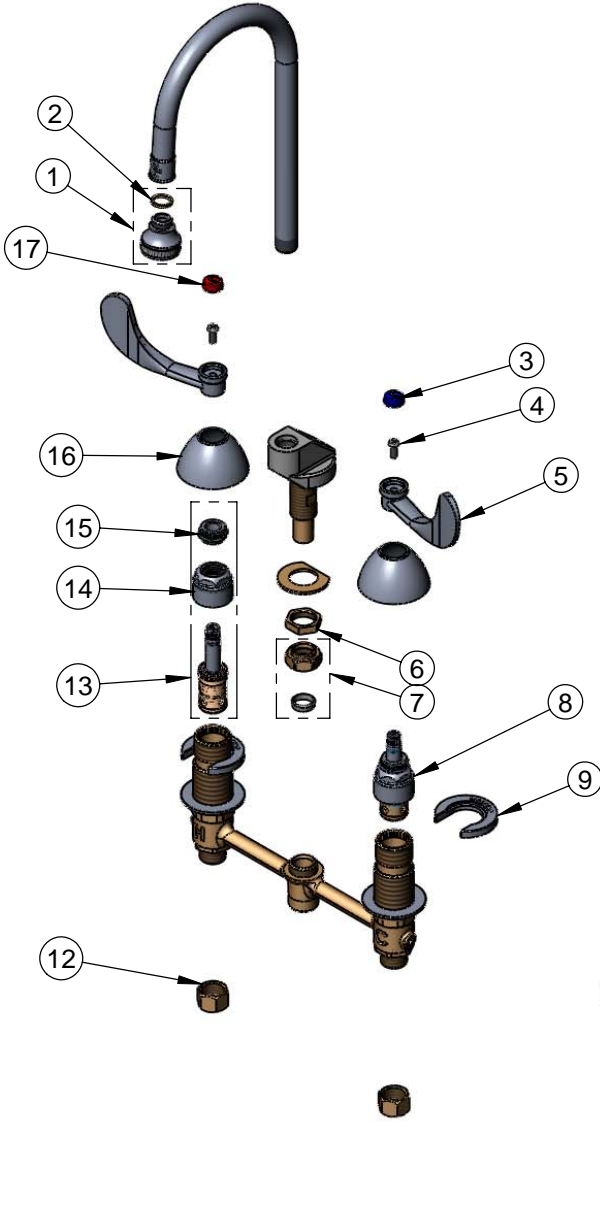
REG. #A2601
ISO #9001

Model No.

B-2868-04

Item No.

Travelers Rest, SC: 800-476-4103 Simi Valley, CA: 800-423-0150 Fax: 864-834-3518 www.tsbrass.com



ITEM NO.	SALES NO.	DESCRIPTION
1	B-0103-01	RoseSpray Assembly
2	001043-45	Washer
3	001686-45	Blue CW Index
4	000925-45	Lab Handle Screw
5	B-WH4	4" Wrist Action Handle
6	002954-45	Shank Lock Nut
7	016745-45	Compression Nut & Fitting
8	016752-40	EZ-Install LTC Eterna (Teflon)
9	016749-45	Sidebody C-Washer
10	016777-45	CWS Hanger
11	B-0898	Pop-Up Drain
12	000958-20	Coupling Nut
13	016753-40	EZ-Install RTC Eterna (Teflon)
14	016743-25	CWS Bonnet Assembly
15	009002-25	Packing Nut Assembly
16	001257-40	Bell Escutcheon
17	001194-45	Red HW Index

Product Specifications:

EasyInstall Faucet w/ 4" Wrist Action Handles,
Compression Cartridges, 8" Inlet Centers, Pop-Up Drain
& Rigid Gooseneck w/ Rosespray Outlet

Drawn JRM	Checked GEF	Approved JHB
Scale: NTS		Date: 07/31/08