



# T&S BRASS AND BRONZE WORKS, INC.

2 Saddleback Cove / P.O. Box 1088  
Travelers Rest, SC 29690



REG. #A2601  
ISO #9001

Model No.

**B-2869-04**

Item No.

Travelers Rest, SC: 800-476-4103 Simi Valley, CA: 800-423-0150 Fax: 864-834-3518 www.tsbrass.com

This Space for Architect/Engineer Approval

Job Name \_\_\_\_\_ Date \_\_\_\_\_

Model Specified \_\_\_\_\_ Quantity \_\_\_\_\_

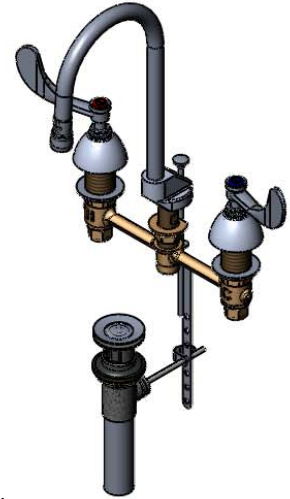
Customer/Wholesaler \_\_\_\_\_

Contractor \_\_\_\_\_

Architect/Engineer \_\_\_\_\_



**ADA Compliant**



B-WH4  
4" Wrist Action Handles  
w/ Color Coded Indexes

Rigid Gooseneck w/  
2.2 GPM Aerator

Pop-Up  
Rigid Deck  
Flange

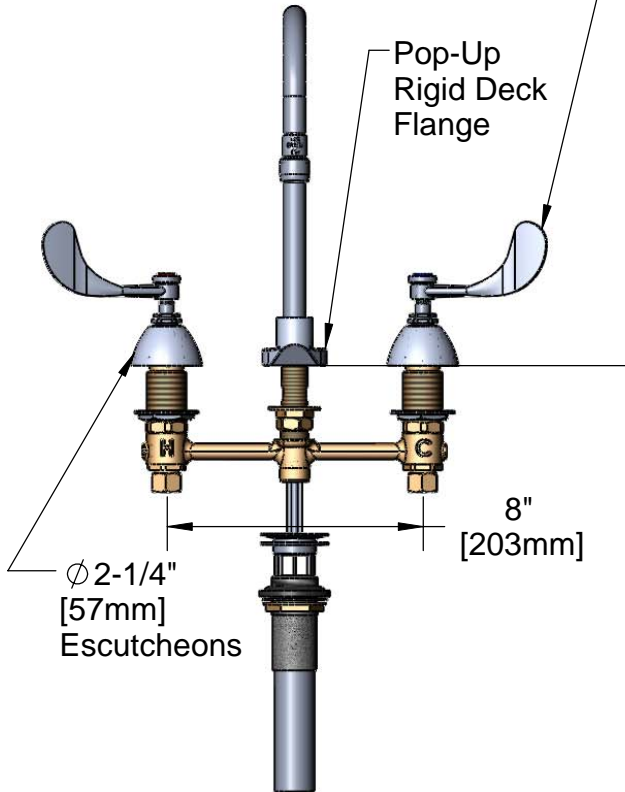


Mounting  
Surface

Fits Sinks  
Up To  
1-1/4" Thick  
[32mm]

1/2" NPSM  
Coupling Nuts

Pop-Up Drain Assembly



Note: Rough-In Required:

Ø 1" [25mm] for Center Shank

Ø 1-1/2" [38mm] for Hot/Cold Side [1-1/4" [32mm] Minimum]

Product Specifications:

**EasyInstall Faucet w/ 4" Wrist Action Handles,  
Compression Cartridges, 8" Inlet Centers, Pop-Up Drain  
& Rigid Gooseneck w/ 2.2 GPM Aerator**

Drawn  
**JRM**

Checked  
**GEF**

Approved  
**JHB**

Scale:

**NTS**

Date:

**11/03/08**



# T&S BRASS AND BRONZE WORKS, INC.

2 Saddleback Cove / P.O. Box 1088  
Travelers Rest, SC 29690



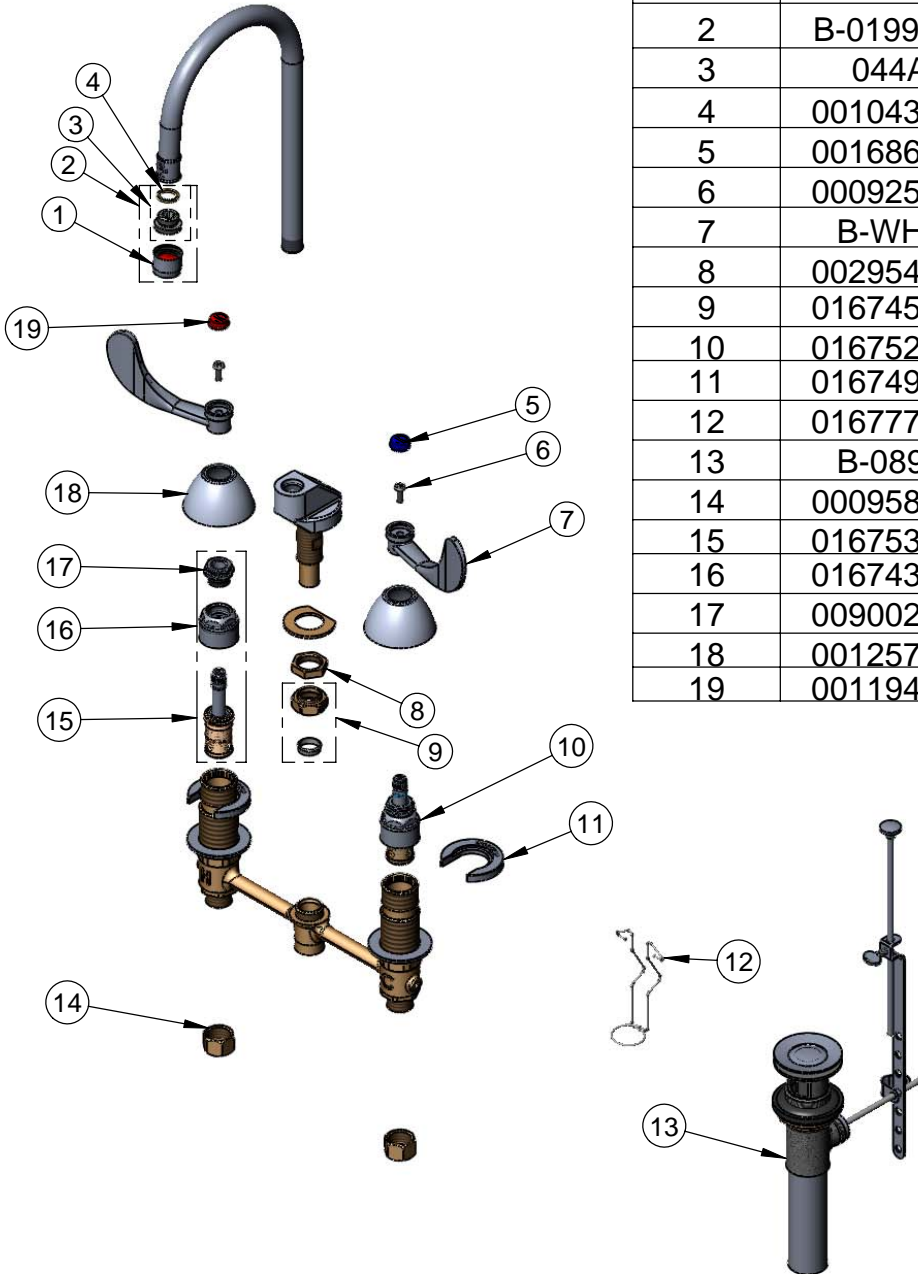
REG. #A2601  
ISO #9001

Model No.

**B-2869-04**

Item No.

Travelers Rest, SC: 800-476-4103 Simi Valley, CA: 800-423-0150 Fax: 864-834-3518 www.tsbrass.com



ITEM NO.	SALES NO.	DESCRIPTION
1	B-0199-01	2.2 GPM Aerator, Female
2	B-0199-02	2.2 GPM Aerator, Male
3	044A	3/8" to Aerator Adapter
4	001043-45	Washer
5	001686-45	Blue CW Index
6	000925-45	Lab Handle Screw
7	B-WH4	4" Wrist Action Handle
8	002954-45	Shank Lock Nut
9	016745-45	Compression Nut & Fitting
10	016752-40	EZ-Install LTC Eterna (Teflon)
11	016749-45	Sidebody C-Washer
12	016777-45	CWS Hanger
13	B-0898	Pop-Up Drain
14	000958-20	Coupling Nut
15	016753-40	EZ-Install LTC Eterna (Teflon)
16	016743-25	CWS Bonnet Assembly
17	009002-25	Packing Nut Assembly
18	001257-40	Bell Escutcheon
19	001194-45	Red HW Index

Product Specifications:

EasyInstall Faucet w/ 4" Wrist Action Handles,  
Compression Cartridges, 8" Inlet Centers, Pop-Up Drain  
& Rigid Gooseneck w/ 2.2 GPM Aerator

Drawn <b>JRM</b>	Checked <b>GEF</b>	Approved <b>JHB</b>
Scale: <b>NTS</b>		Date: <b>11/03/08</b>