



T&S BRASS AND BRONZE WORKS, INC.

2 Saddleback Cove / P.O. Box 1088
Travelers Rest, SC 29690



REG. #A2601
ISO #9001

Model No.

B-2873

Item No.

Travelers Rest, SC: 800-476-4103 Simi Valley, CA: 800-423-0150 Fax: 864-834-3518 www.tsbrass.com

This Space for Architect/Engineer Approval

Job Name _____ Date _____

Model Specified _____ Quantity _____

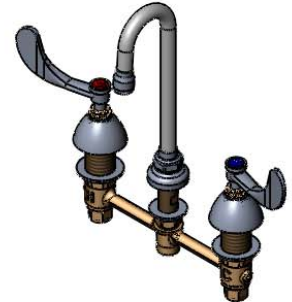
Customer/Wholesaler _____

Contractor _____

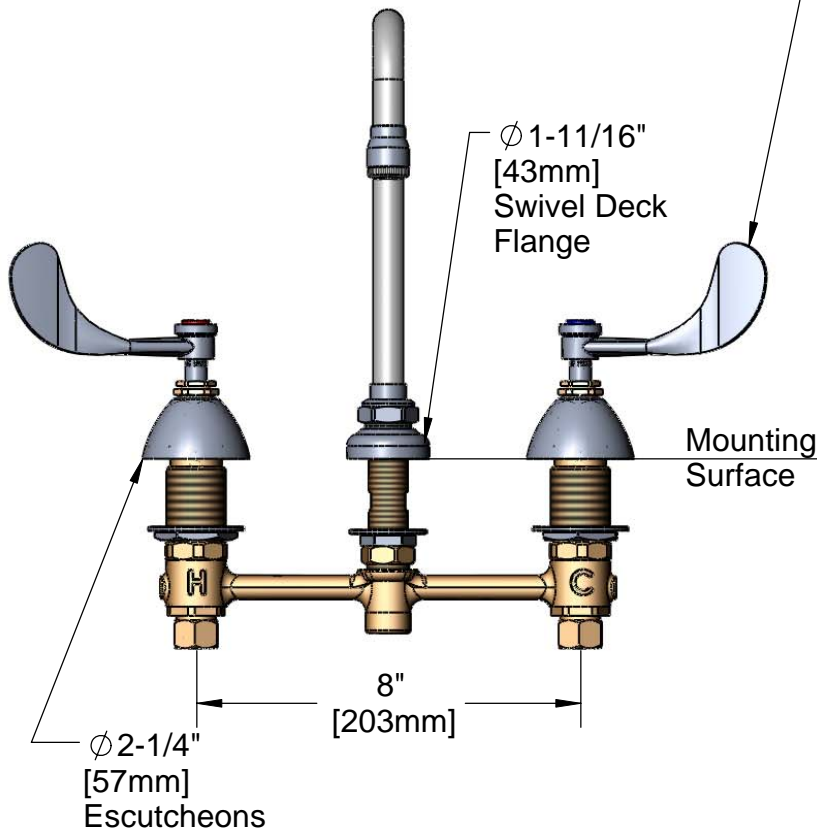
Architect/Engineer _____



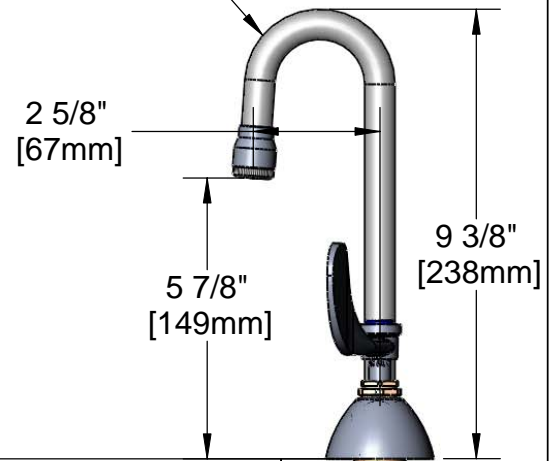
ADA Compliant



B-WH4
4" Wrist Action Handles
w/ Color Coded Indexes



Swivel Gooseneck
w/ B-LT Stream
Regulator Outlet



Fits Sinks
Up To
1-1/4" Thick
[32mm]

1/2" NPSM
Coupling Nuts

Note: Rough-In Required:
 $\phi 1"$ [25mm] for Center Shank
 $\phi 1-1/2"$ [38mm] for Hot/Cold Side [$1-1/4"$ [32mm] Minimum]

Product Specifications:

**EasyInstall Faucet w/ 4" Wrist Action Handles,
Compression Cartridges, 8" Inlet Centers &
Swivel Gooseneck w/ B-LT Stream Regulator Outlet**

Drawn
JRM

Checked
GEF

Approved
JHB

Scale:

NTS

Date:

07/31/08



T&S BRASS AND BRONZE WORKS, INC.

2 Saddleback Cove / P.O. Box 1088
Travelers Rest, SC 29690



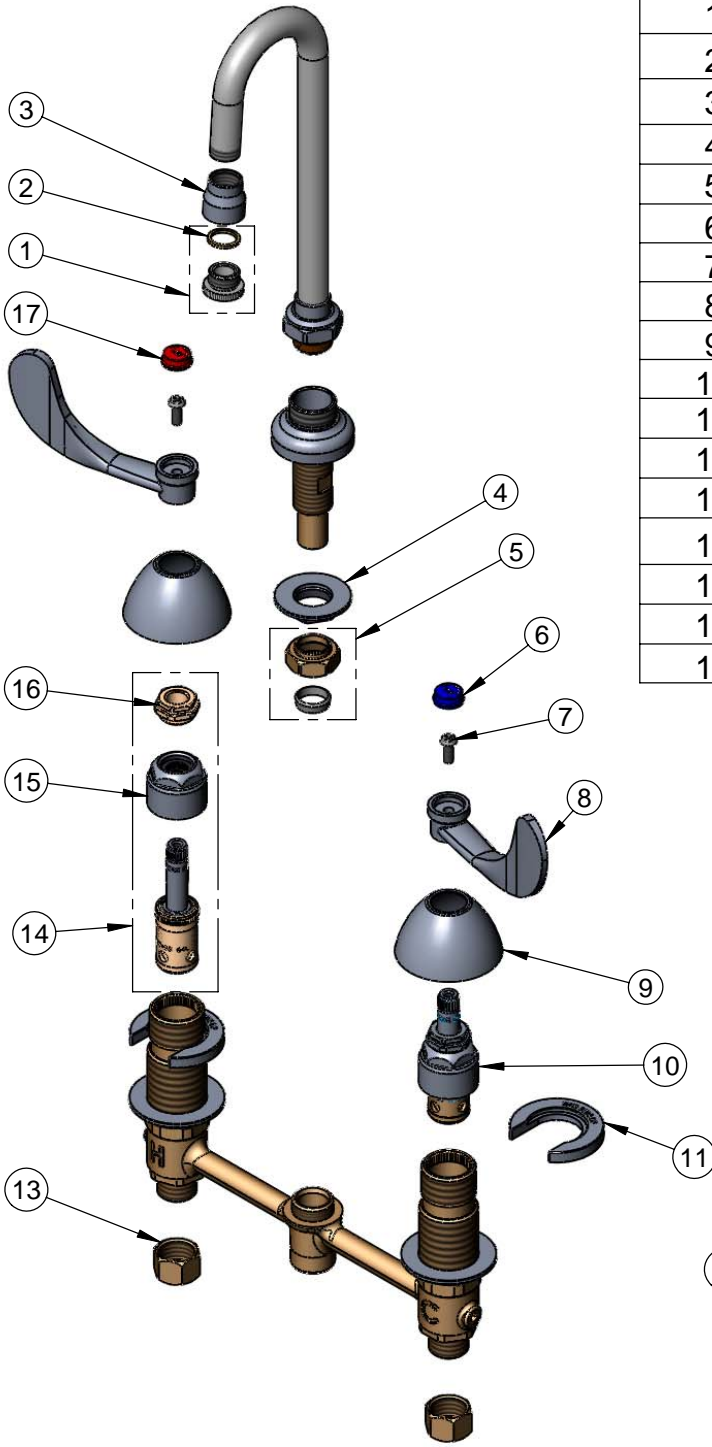
REG. #A2601
ISO #9001

Model No.

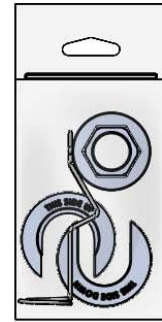
B-2873

Item No.

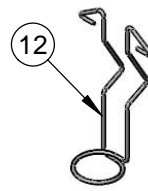
Travelers Rest, SC: 800-476-4103 Simi Valley, CA: 800-423-0150 Fax: 864-834-3518 www.tsbrass.com



ITEM NO.	SALES NO.	DESCRIPTION
1	B-LT	Stream Regulator
2	001043-45	Washer
3	000557-25	Adapter Bell, 5/8-27 X 3/8
4	016742-45	Center Flange Nut
5	016745-45	Compression Nut & Fitting
6	001686-45	Blue CW Index
7	000925-45	Lab Handle Screw
8	B-WH4	4" Wrist Action Handle
9	001257-40	Bell Escutcheon
10	016752-40	EZ-Install LTC Eterna (Teflon)
11	016749-45	Sidebody C-Washer
12	016777-45	CWS Hanger
13	000958-20	Coupling Nut
14	016753-40	EZ-Install RTC Eterna (Teflon)
15	016743-25	CWS Bonnet Assembly
16	009002-25	Packing Nut Assembly
17	001194-45	Red HW Index



017245-40
Installation Repair Kit
Includes #4, (2)#11, & #12



Product Specifications:

EasyInstall Faucet w/ 4" Wrist Action Handles,
Compression Cartridges, 8" Inlet Centers &
Swivel Gooseneck w/ B-LT Stream Regulator Outlet

Drawn JRM	Checked GEF	Approved JHB
Scale: NTS		Date: 07/31/08