



# T&S BRASS AND BRONZE WORKS, INC.

2 Saddleback Cove / P.O. Box 1088  
Travelers Rest, SC 29690



REG. #A2601  
ISO #9001

Model No.

**B-2885**

Item No.

Travelers Rest, SC: 800-476-4103 Simi Valley, CA: 800-423-0150 Fax: 864-834-3518 www.tsbrass.com

This Space for Architect/Engineer Approval

Job Name \_\_\_\_\_ Date \_\_\_\_\_

Model Specified \_\_\_\_\_ Quantity \_\_\_\_\_

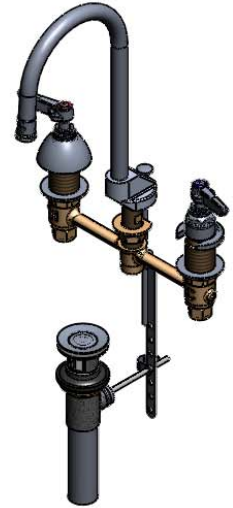
Customer/Wholesaler \_\_\_\_\_

Contractor \_\_\_\_\_

Architect/Engineer \_\_\_\_\_



**ADA Compliant**



Lever Handles  
w/ Color Coded Indexes

Rigid Gooseneck  
w/ B-LT Stream Regulator  
Outlet

Pop-Up  
Rigid Deck  
Flange

5 1/2" [140mm]  
11 1/4" [286mm]  
6 3/16" [158mm]

Mounting  
Surface

Fits Sinks  
Up To  
1-1/4" Thick  
[32mm]

1/2" NPSM  
Coupling Nuts

Pop-Up Drain Assembly

8" [203mm]  
Ø 2-1/4" [57mm]  
Escutcheons

Note: Rough-In Required:  
Ø 1" [25mm] for Center Shank  
Ø 1-1/2" [38mm] for Hot/Cold Side [1-1/4" [32mm] Minimum]

Product Specifications:

**EasyInstall Faucet w/ Lever Handles,  
Compression Cartridges, 8" Inlet Centers, Pop-Up Drain  
Gooseneck w/ Stream Regulator Outlet**

Drawn  
**JRM**

Checked  
**GEF**

Approved  
**JHB**

Scale:

**NTS**

Date:

**09/11/08**



**T&S BRASS AND BRONZE WORKS, INC.**

2 Saddleback Cove / P.O. Box 1088  
Travelers Rest, SC 29690



REG. #A2601  
ISO #9001

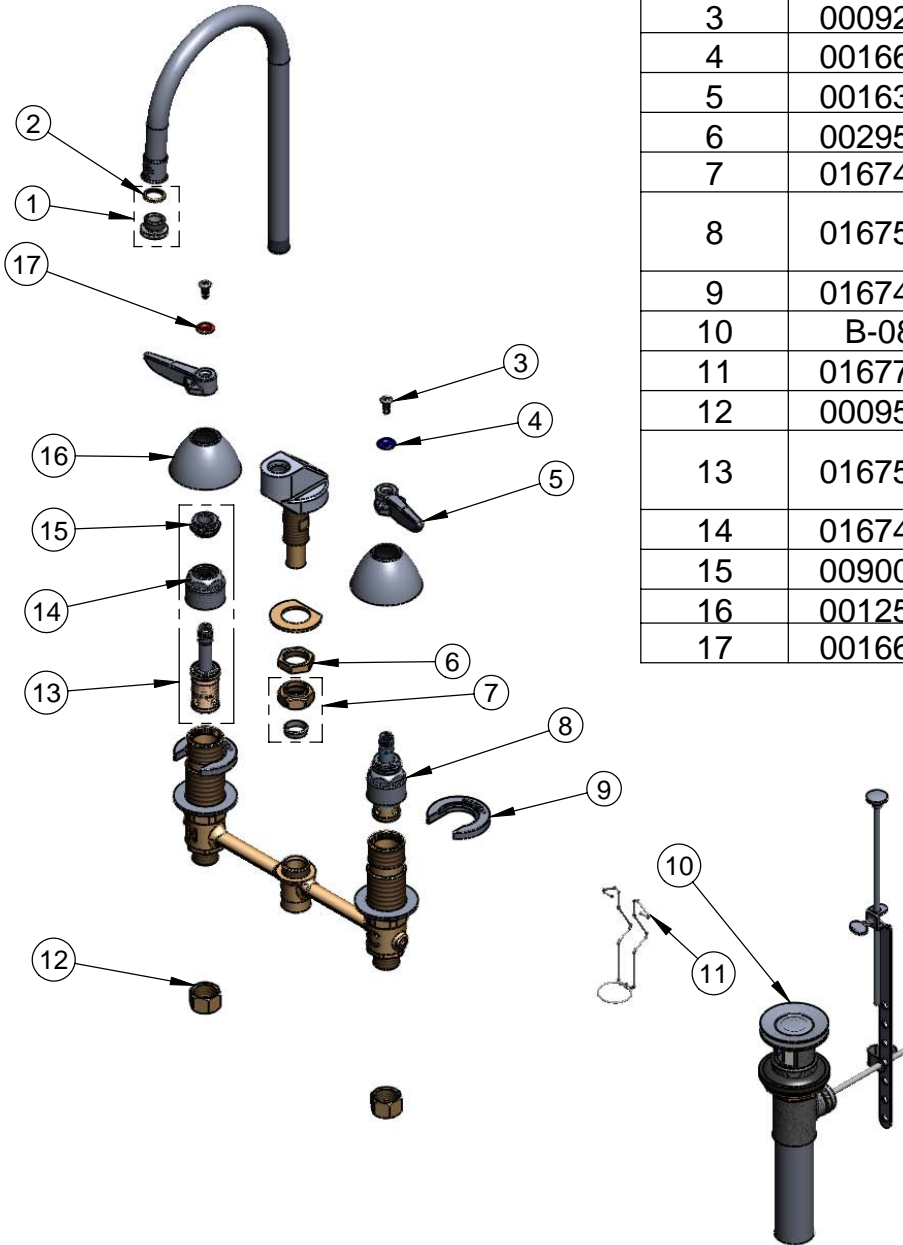
Model No.

**B-2885**

Item No.

Travelers Rest, SC: 800-476-4103 Simi Valley, CA: 800-423-0150 Fax: 864-834-3518 www.tsbrass.com

ITEM NO.	SALES NO.	DESCRIPTION
1	B-LT	Stream Regulator Outlet
2	001043-45	Washer
3	000922-45	Lever Handle Screw
4	001660-45	Blue Index-CW
5	001638-45	Lever Handle
6	002954-45	Shank Lock Nut
7	016745-45	Compression Nut & Fitting
8	016752-40	CWS EasyInstall LTC Eterna (Teflon)
9	016749-45	Sidebody C-Washer
10	B-0898	Pop-Up Drain
11	016777-45	CWS Hanger
12	000958-20	Coupling Nut
13	016753-40	CWS EasyInstall RTC Eterna (Teflon)
14	016743-25	CWS Bonnet Assembly
15	009002-25	Packing Nut Assembly
16	001257-40	Bell Escutcheon
17	001661-45	Red Index-HW



Product Specifications:

EasyInstall Faucet w/ Lever Handles,  
Compression Cartridges, 8" Inlet Centers, Pop-Up Drain  
Gooseneck w/ Stream Regulator Outlet

Drawn <b>JRM</b>	Checked <b>GEF</b>	Approved <b>JHB</b>
Scale: <b>NTS</b>		Date: <b>09/11/08</b>