



# T&S BRASS AND BRONZE WORKS, INC.

2 Saddleback Cove / P.O. Box 1088  
Travelers Rest, SC 29690



REG. #A2601  
ISO #9001

Model No.  
**B-7242-08H**

Item No.

Travelers Rest, SC: 800-476-4103 Simi Valley, CA: 800-423-0150 Fax: 864-834-3518 www.tsbrass.com

This Space for Architect/Engineer Approval

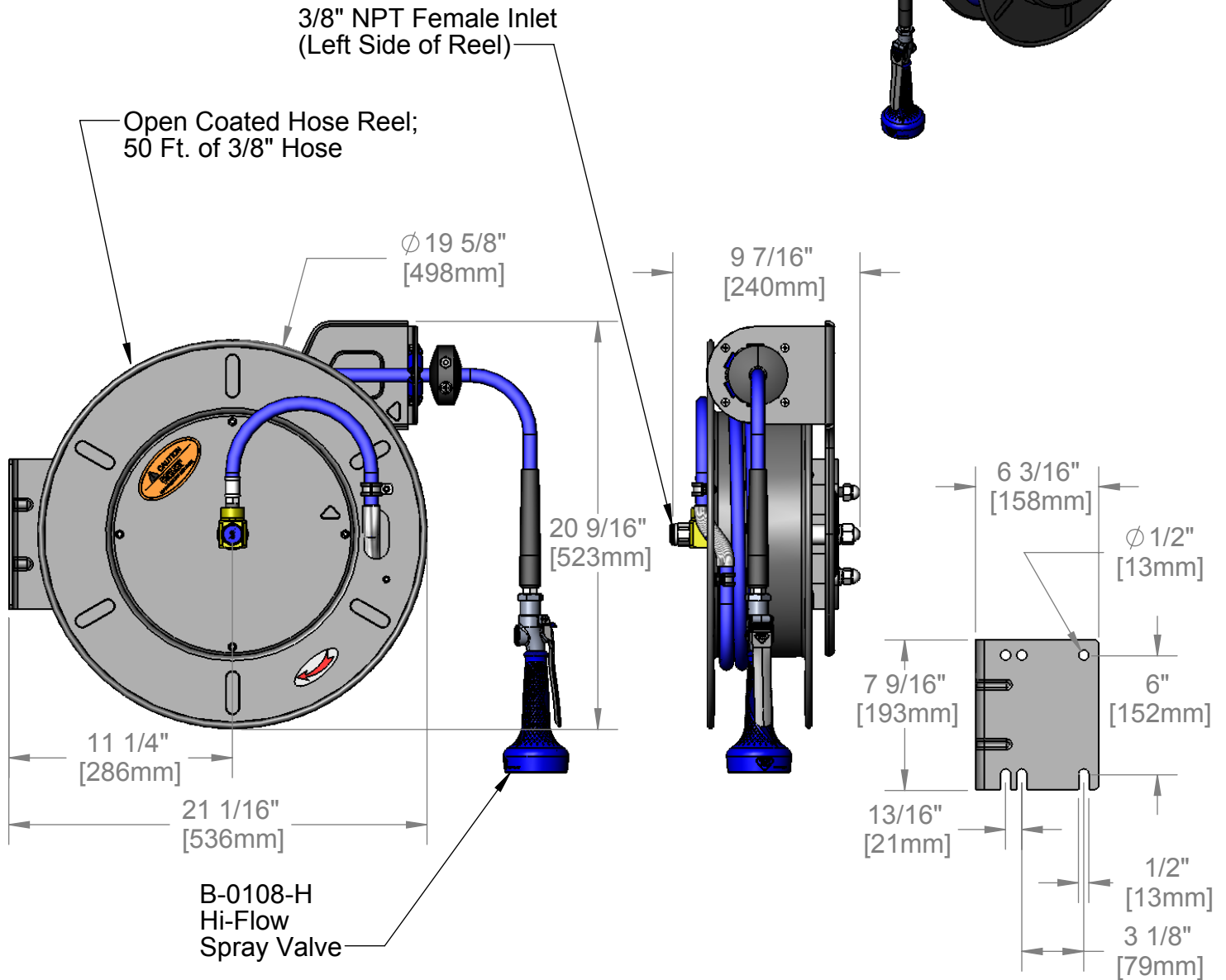
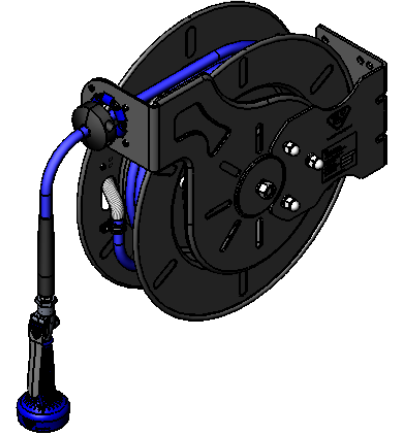
Job Name \_\_\_\_\_ Date \_\_\_\_\_

Model Specified \_\_\_\_\_ Quantity \_\_\_\_\_

Customer/Wholesaler \_\_\_\_\_

Contractor \_\_\_\_\_

Architect/Engineer \_\_\_\_\_



Product Specifications:

**3/8" x 50 Ft. Open Coated Reel**  
**B-0108-H Hi-Flow Blue Spray Valve**

Drawn JRM	Checked DHL	Approved JHB
Scale:	1:8	Date: 12/19/07



**T&S BRASS AND BRONZE WORKS, INC.**  
 2 Saddleback Cove / P.O. Box 1088  
 Travelers Rest, SC 29690



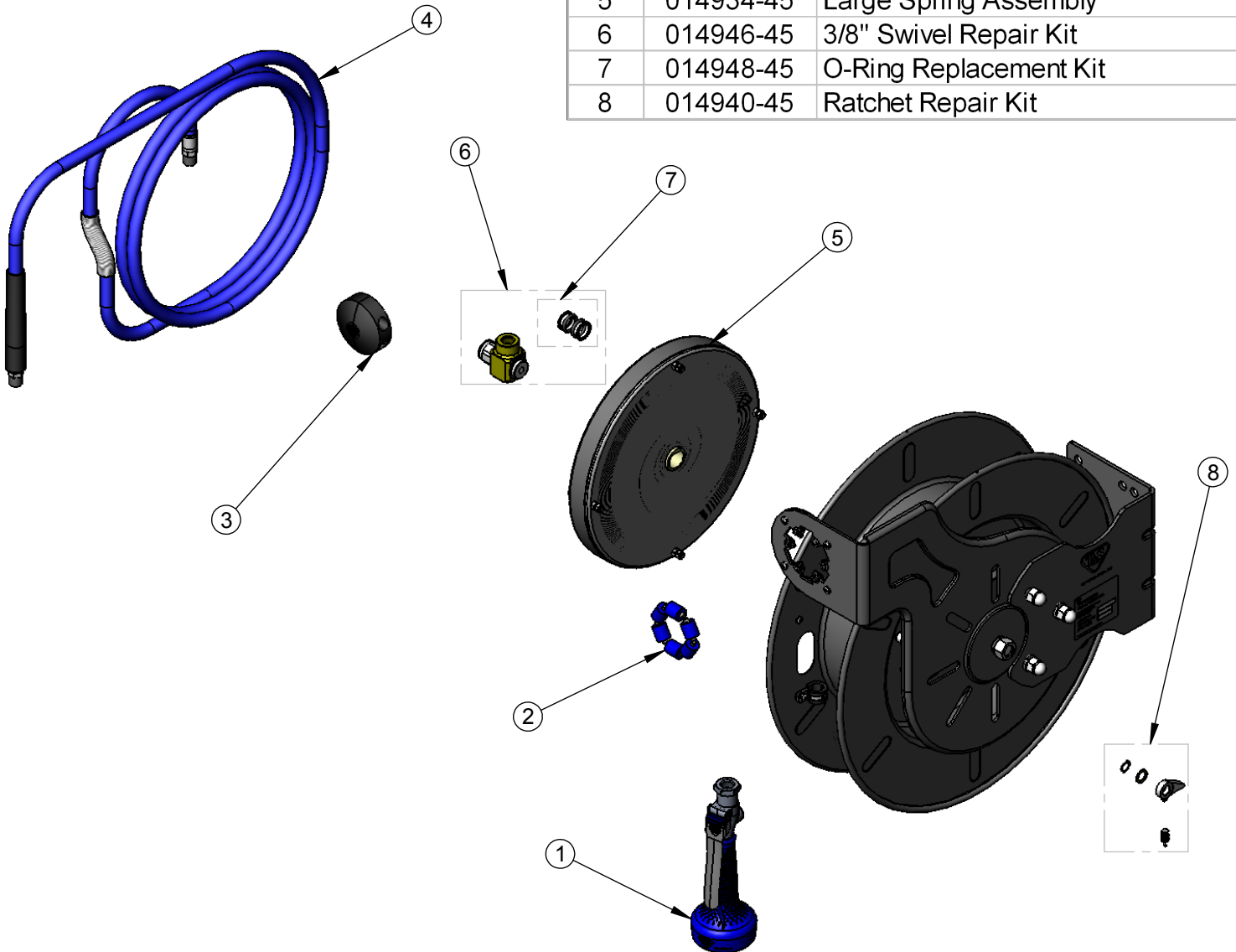
REG. #A2601  
 ISO #9001

Model No.  
**B-7242-08H**

Item No.

Travelers Rest, SC: 800-476-4103 Simi Valley, CA: 800-423-0150 Fax: 864-834-3518 www.tsbrass.com

ITEM NO.	SALES NO.	DESCRIPTION
1	B-0108-H	Hi-Flow B-0108 Spray Valve
2	014938-45	Roller Assembly Repair Kit
3	014949-45	Hose Stop Repair Kit
4	014942-45	3/8" x 50' Hose Replacement Kit
5	014934-45	Large Spring Assembly
6	014946-45	3/8" Swivel Repair Kit
7	014948-45	O-Ring Replacement Kit
8	014940-45	Ratchet Repair Kit



Product Specifications:

3/8" x 50 Ft. Open Coated Reel  
 B-0108-H Hi-Flow Blue Spray Valve

Drawn JRM	Checked DHL	Approved JHB
Scale: 1:8		Date: 12/19/07