



T&S BRASS AND BRONZE WORKS, INC.

2 Saddleback Cove / P.O. Box 1088
Travelers Rest, SC 29690



REG. #A2601
ISO #9001

Model No.
BL-4403-02

Item No.

Travelers Rest, SC: 800-476-4103 Simi Valley, CA: 800-423-0150 Fax: 864-834-3518 www.tsbrass.com

This Space for Architect/Engineer Approval

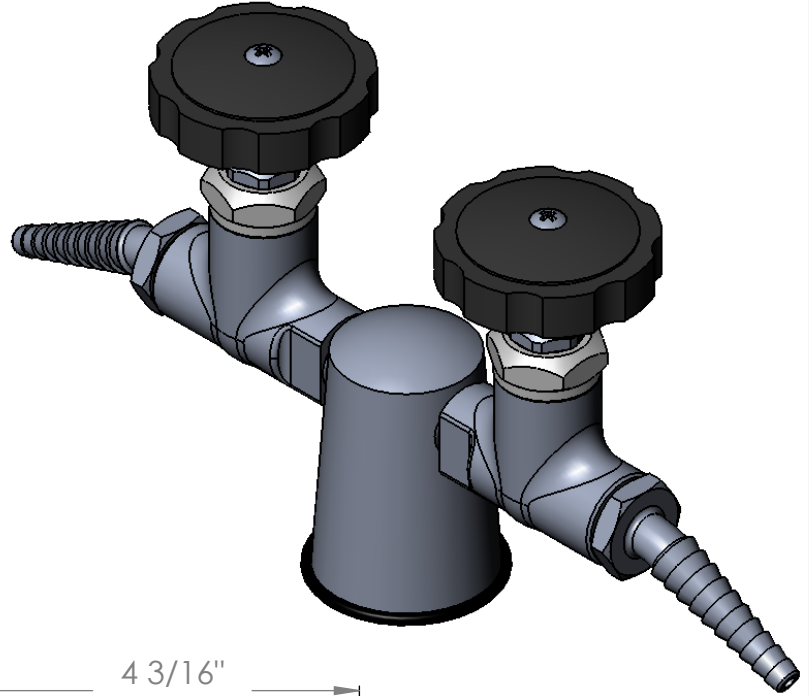
Job Name _____ Date _____

Model Specified _____ Quantity _____

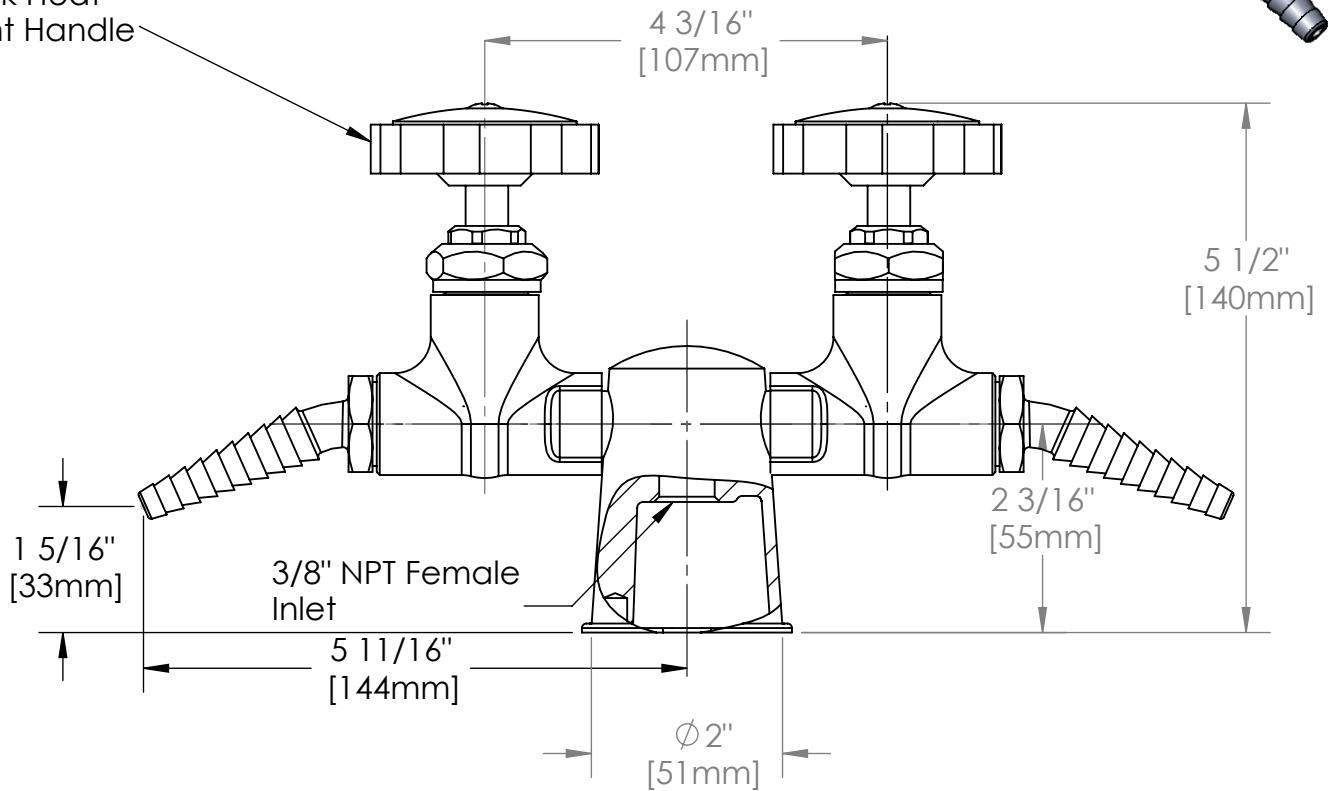
Customer/Wholesaler _____

Contractor _____

Architect/Engineer _____



Straight Steam Stop
W/ Black Heat
Resistant Handle



Product Specifications:

**Laboratory Turret w/ (2) Steam Stop
@180°, Heat Res. Handles**

Drawn
ARH

Checked
JRM

Approved
JHB

Scale:

1:2

Date:

1/12/2007



T&S BRASS AND BRONZE WORKS, INC.

2 Saddleback Cove / P.O. Box 1088
Travelers Rest, SC 29690



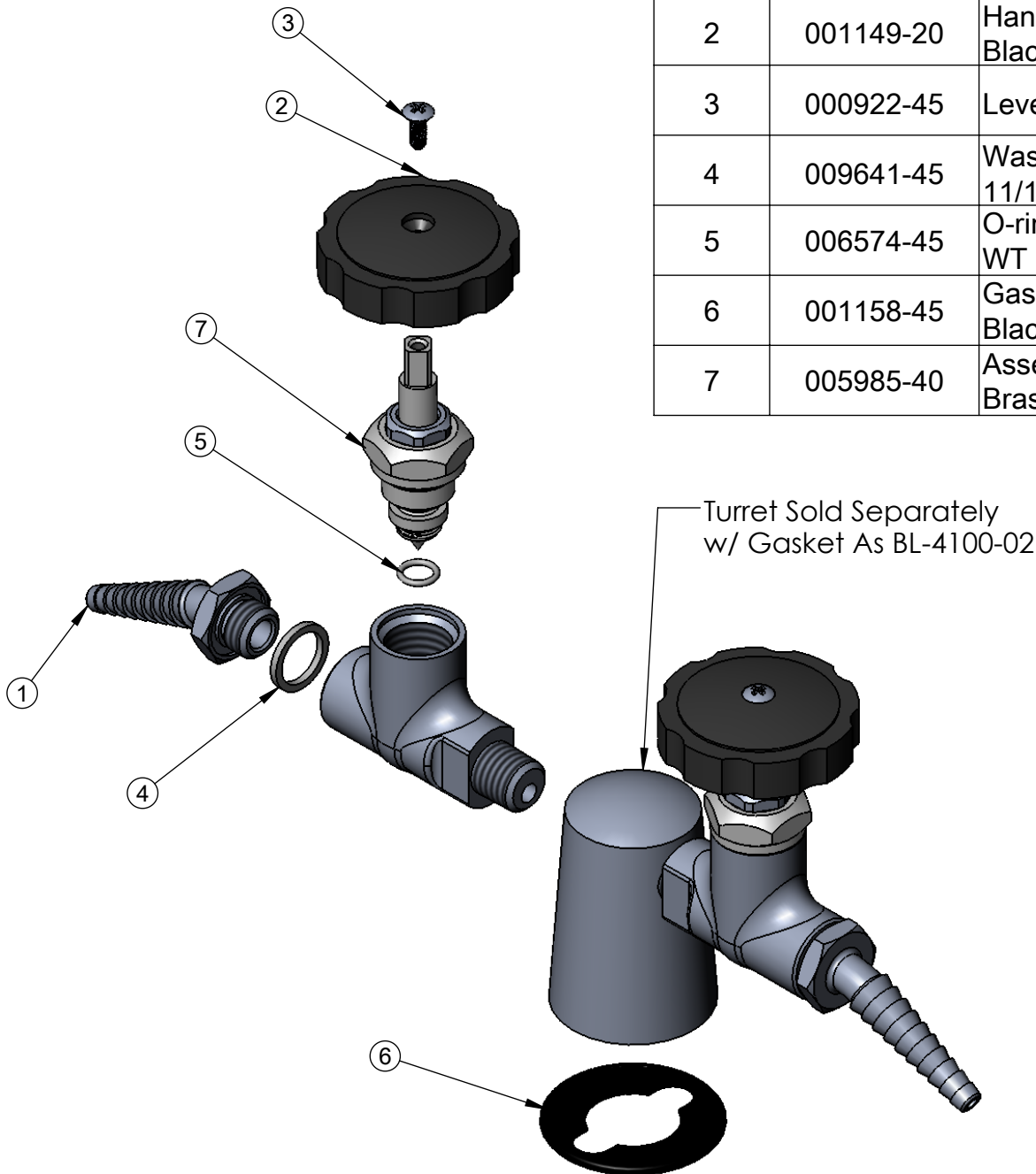
REG. #A2601
ISO #9001

Model No.
BL-4403-02

Item No.

Travelers Rest, SC: 800-476-4103 Simi Valley, CA: 800-423-0150 Fax: 864-834-3518 www.tsbrass.com

ITEM NO.	SALES NO.	DESCRIPTION
1	001551-40	Hose End, Angled, Serrated, Brass
2	001149-20	Handle, Heat Resistant, Black
3	000922-45	Lever Handle Screw
4	009641-45	Washer, 7/8" OD X 11/16ID X 3/32THK
5	006574-45	O-ring, 0.364 ID X .070 WT
6	001158-45	Gasket, Polypropylene, Black
7	005985-40	Assembly, Spindle, Brass



Product Specifications:

Laboratory Turret w/ (2) Steam Stop @180°, Heat Res. Handles

Drawn ARH	Checked JRM	Approved JHB
Scale: 1:2		Date: 1/12/2007