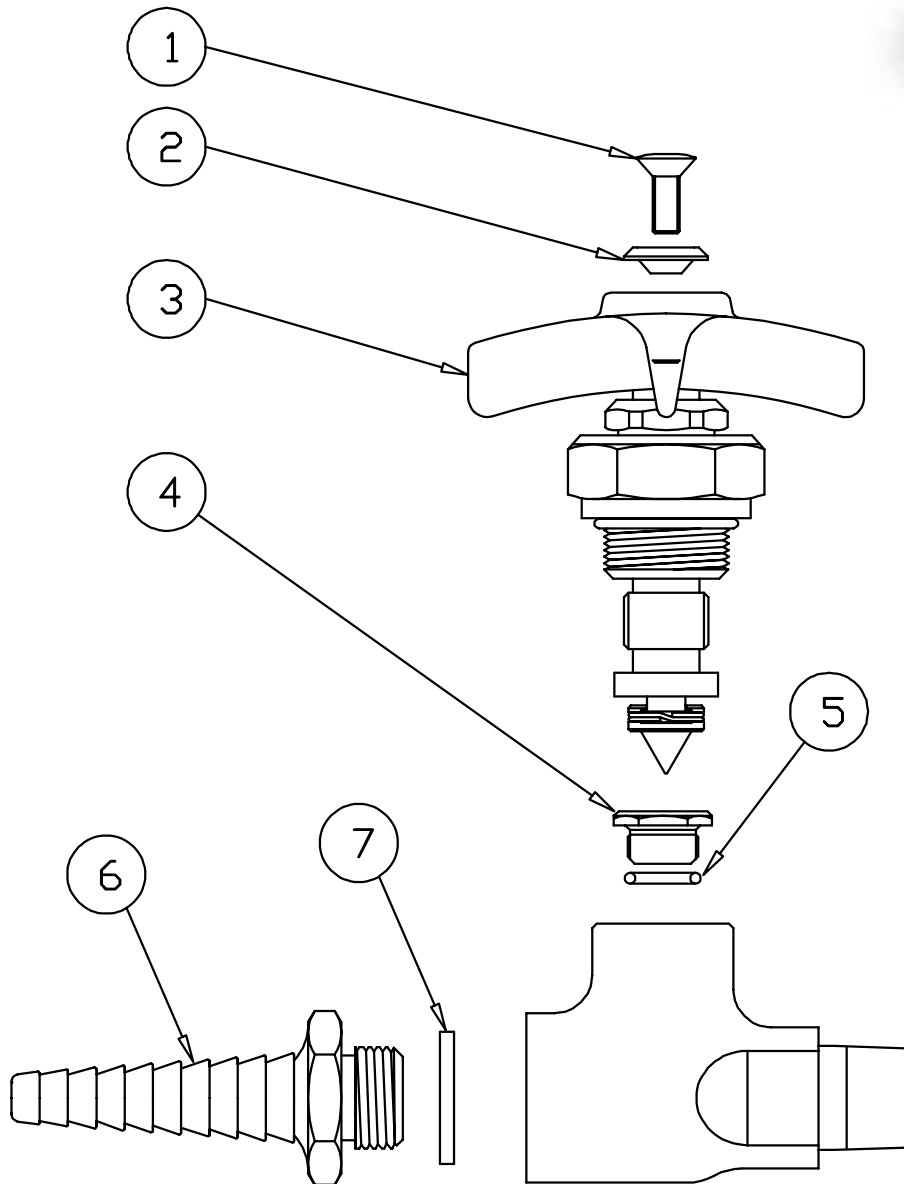


BL-4520-01



Angle Stop

1	Screw, Handle	000925-45
2	Index, Snap-In, Dark Blue/Gas	001197-45
	Index, Snap-In, Yellow/Vacuum	001200-45
	Index, Snap-In, Orange/Air	001203-45
3	Handle, Lab	000059-40
4	Seat	000529-20
5	O-Ring	006574-45
6	Tip, Serrated, Straight	BL-5550-04
7	Washer	001051-45

