



T&S BRASS AND BRONZE WORKS, INC.
 2 SADDLEBACK COVE / P.O. BOX 1088 / TRAVELERS REST, SC 29690
 PHONE 800-476-4103 - FAX 864- 834-3518



Sales No.

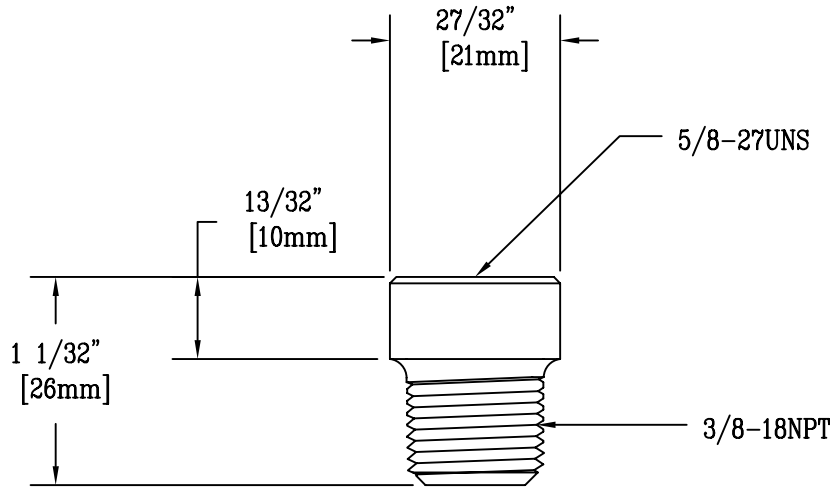
000564-25

RELIABILITY
BUILT IN

Job Name:

Architect/Engineer Approval:

Notes:



Finish: Chrome Plate

Product Description:

Adapter 3/8 NPT x 5/8-27 Female

Drawn:

DHL

Checked

MAV

Scale:

1:1

Approved

JHB

Date:

9/14/07