



T&S BRASS AND BRONZE WORKS, INC.
 2 SADDLEBACK COVE / P.O. BOX 1088 / TRAVELERS REST, SC 29690
 PHONE 800-476-4103 - FAX 864- 834-3518



Sales No.

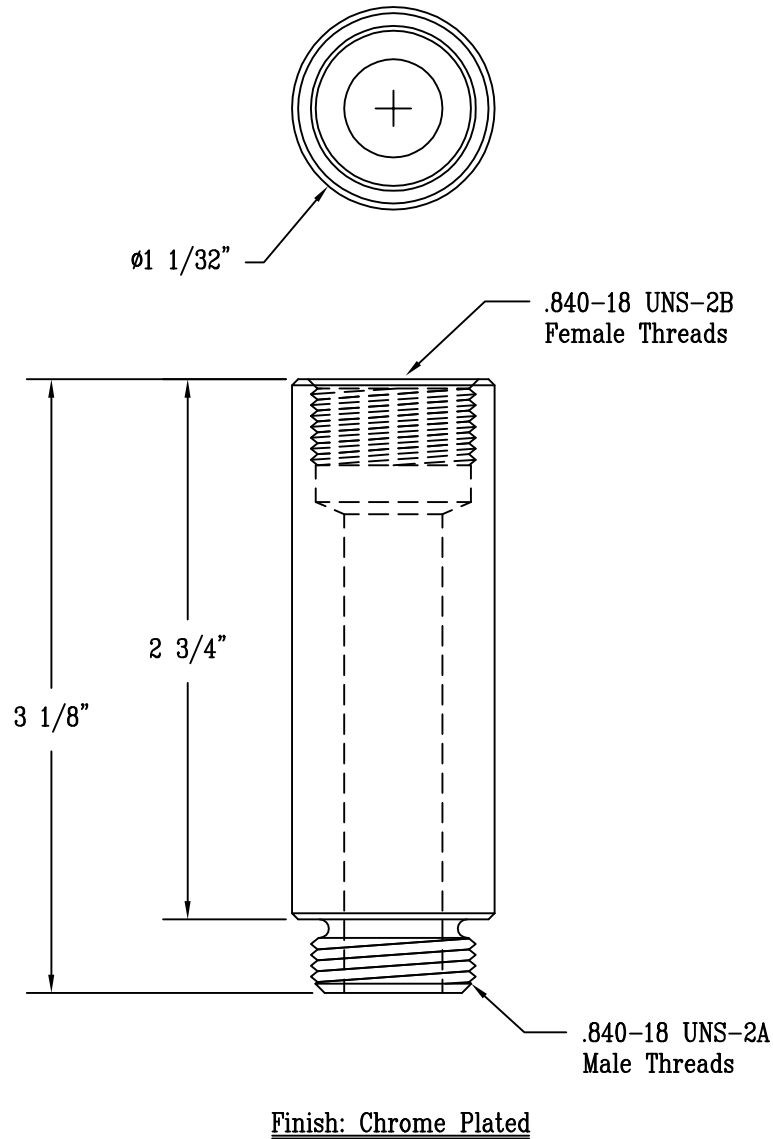
000610-25

RELIABILITY
 BUILT IN

Job Name:

Architect/Engineer Approval:

Notes:



Product Description:

Bushing, B-0650 Extension

Drawn:

DHL

Checked

MAV

Scale:

1:1

Approved

JHB

Date:

3/21/07