



T&S BRASS AND BRONZE WORKS, INC.
 2 SADDLEBACK COVE / P.O. BOX 1088 / TRAVELERS REST, SC 29690
 PHONE 800-476-4103 - FAX 864-834-3518

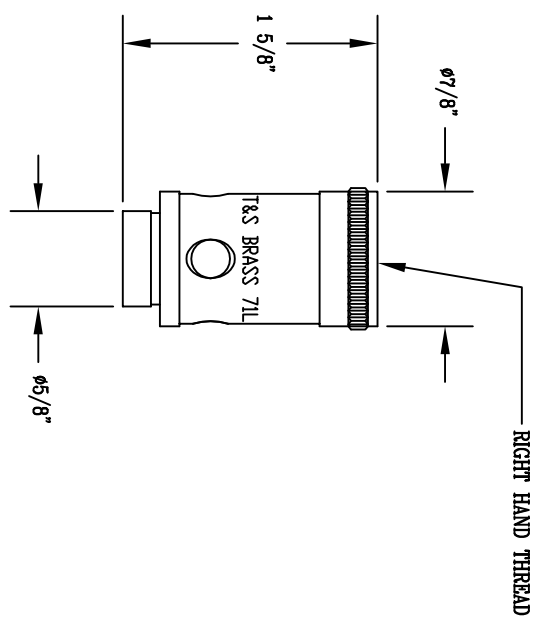


000790-20
 RELIABILITY
 BUILT IN

Job Name:

Architect/Engineer Approval:

Notes:



Product Description:

Eterna Barrel, Spring Check Style

Drawn:

WJS

Checked

Scale:

1 : 1

Approved

Date: