



T&S BRASS AND BRONZE WORKS, INC.
 2 SADDLEBACK COVE / P.O. BOX 1088 / TRAVELERS REST, SC 29690
 PHONE 800-476-4103 FAX 864-834-3518



Sales No.

001502-40

Item No.:

REG.#A2601
 ISO #9002

Job Name:

Architect/Engineer Approval:

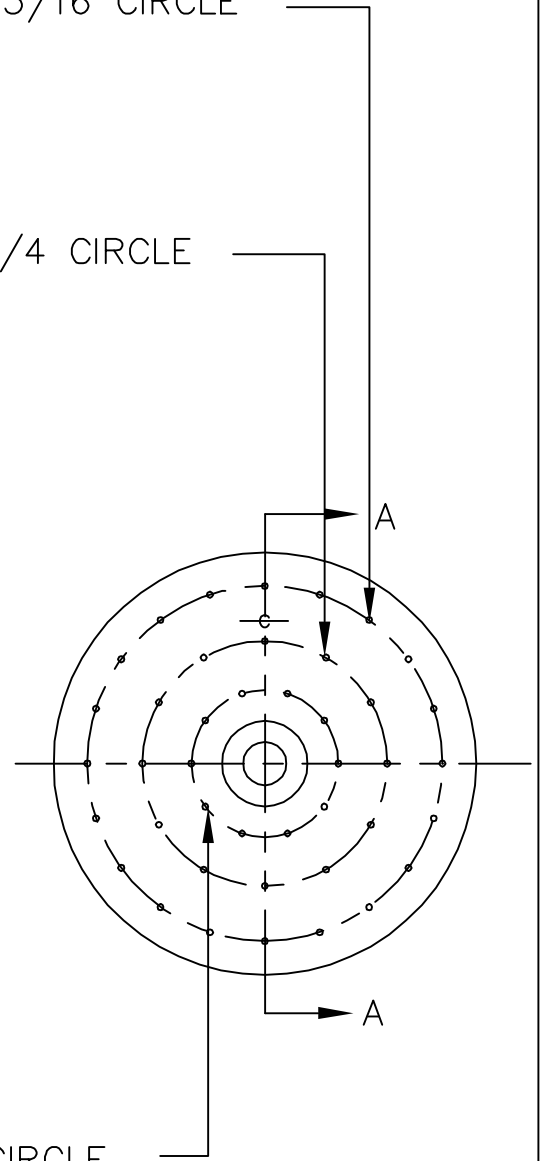
Notes: EPAAct2005 NON-COMPLIANT

(20) $\phi 1/32$ HOLES ON $\phi 1-13/16$ CIRCLE
 18° APART
 EQUALLY SPACED

(12) $\phi 1/32$ HOLES ON $\phi 1-1/4$ CIRCLE
 30° APART
 EQUALLY SPACED



SECTION AA



(10) $\phi 1/32$ HOLES ON $\phi 3/4$ CIRCLE
 36° APART
 EQUALLY SPACED

EPAAct2005 NON-COMPLIANT

Product Description:

Drawn:

Checked

Scale:

JHB

DHL

1 : 1

Approved

Date:

JHB

03/25/08

SPRAY FACE (CHROME-PLATED BRASS)

*** EPAAct2005 NON-COMPLIANT ***