



**T&S BRASS AND BRONZE WORKS, INC.**  
 2 SADDLEBACK COVE / P.O. BOX 1088 / TRAVELERS REST, SC 29690  
 PHONE 800-476-4103 - FAX 864- 834-3518



Sales No.

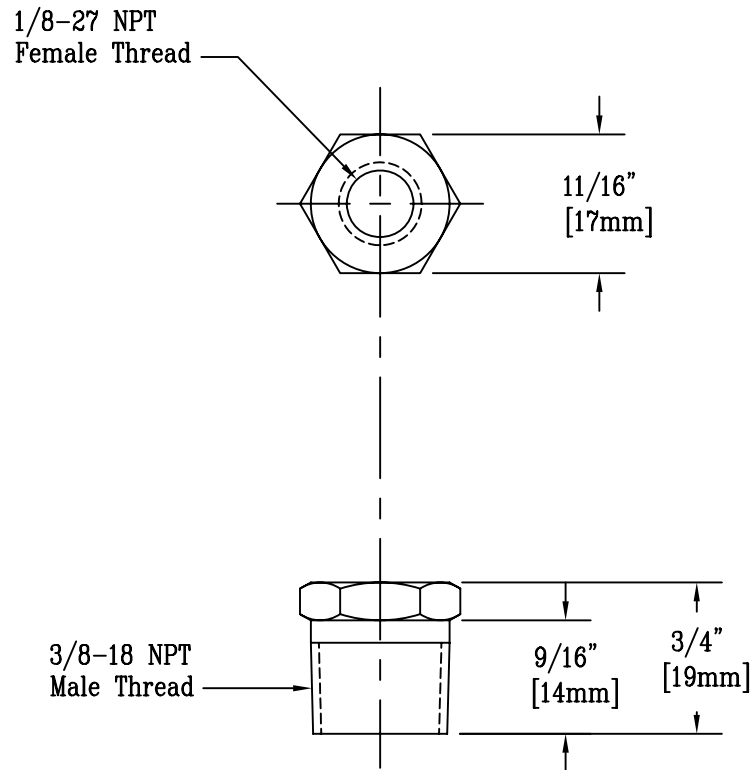
001714-40

**RELIABILITY  
BUILT IN**

Job Name:

Architect/Engineer Approval:

Notes:



Product Description:  
 Hex Bushing (Chrome Plated)  
 3/8NPT Male x 1/8NPT Female Threads

Drawn: DHL	Checked MAV	Scale: 1:1
Approved JHB		Date: 02/01/08