



**T&S BRASS AND BRONZE WORKS, INC.**  
 2 SADDLEBACK COVE / P.O. BOX 1088 / TRAVELERS REST, SC 29690  
 PHONE 800-476-4103 FAX 864-834-3518



Model No.  
 002824-40  
 Item No.:

Job Name:

Architect/Engineer Approval:

Notes:

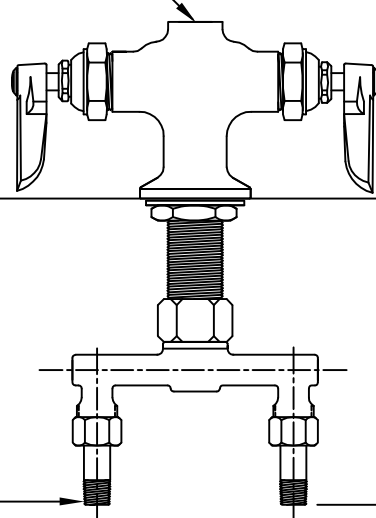
3/8" NPT FEMALE  
 OUTLET

LEVER HANDLES  
 WITH COLORED INDEXES

SINK TOP

6 1/4"

SPREADER BODY w/ OPTIONAL  
 1/4" NPT TAILPIECES. LESS  
 TAILPIECES IS 1/2" NPT MALE



Product Description:  
 DOUBLE PANTRY MIXING FAUCET WITH LEVER  
 HANDLES, 1/4" NPT TAILPIECES, LESS NOZZLE

Drawn:

WJS

Checked

JHB

Scale:

1 : 4

Approved

JHB

Date:

01/23/06