



T&S BRASS AND BRONZE WORKS, INC.  
 2 SADDLEBACK COVE / P.O. BOX 1088 / TRAVELERS REST, SC 29690  
 PHONE 800-476-4103 FAX 864- 834-3518



Sales No.

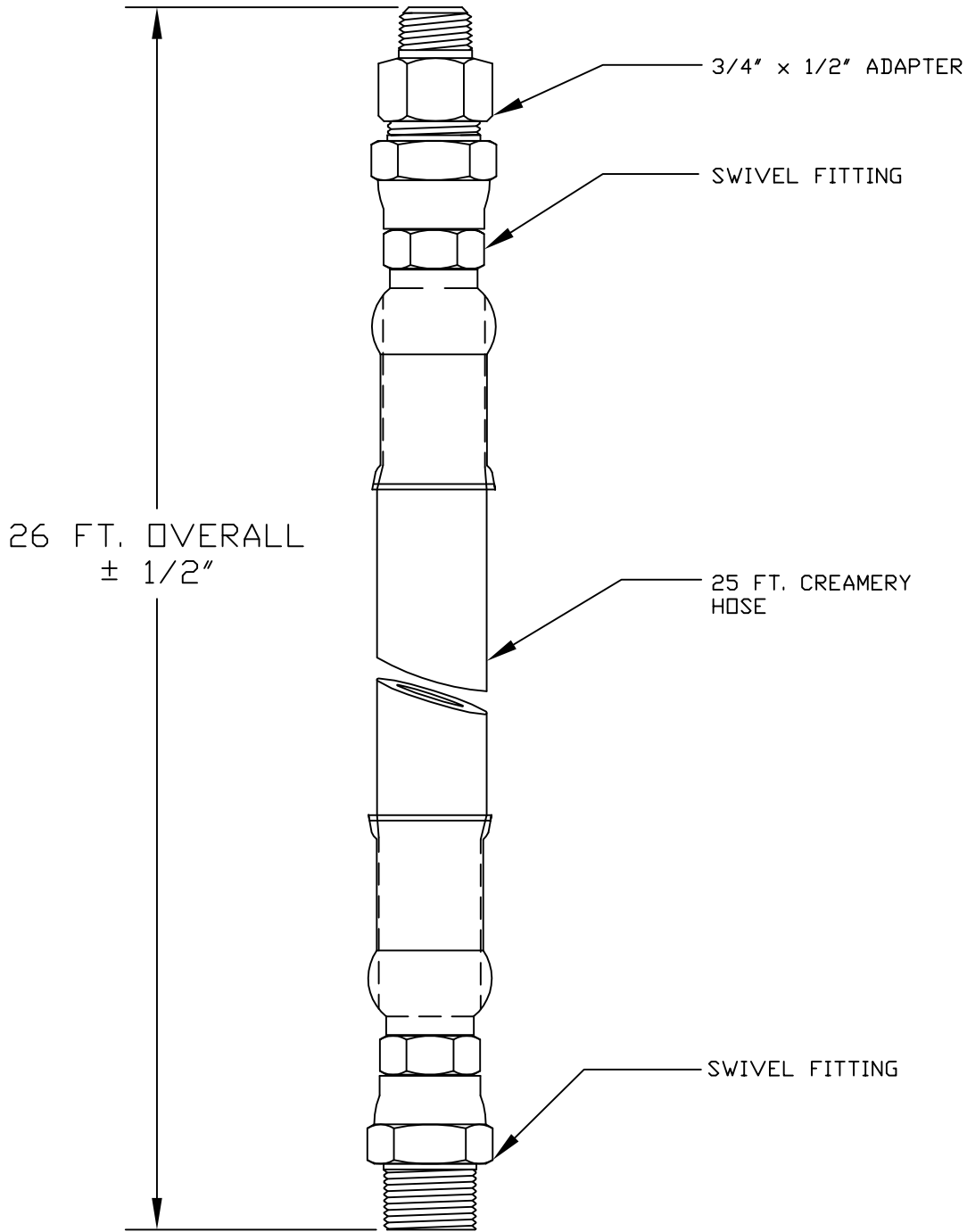
004989-40

Item No.:

Job Name:

Architect/Engineer Approval:

Notes:



26 FT. OVERALL  
 $\pm 1/2"$

3/4" x 1/2" ADAPTER

SWIVEL FITTING

25 FT. CREAMERY  
 HOSE

SWIVEL FITTING

Product Description:

Drawn:

Checked

Scale:

WJS

1 : 4

Approved

Date:

25 FT. CREAMERY HOSE ASM