



T&S BRASS AND BRONZE WORKS, INC.
 2 SADDLEBACK COVE / P.O. BOX 1088 / TRAVELERS REST, SC 29690
 PHONE 800-476-4103 - FAX 864- 834-3518



Sales No.

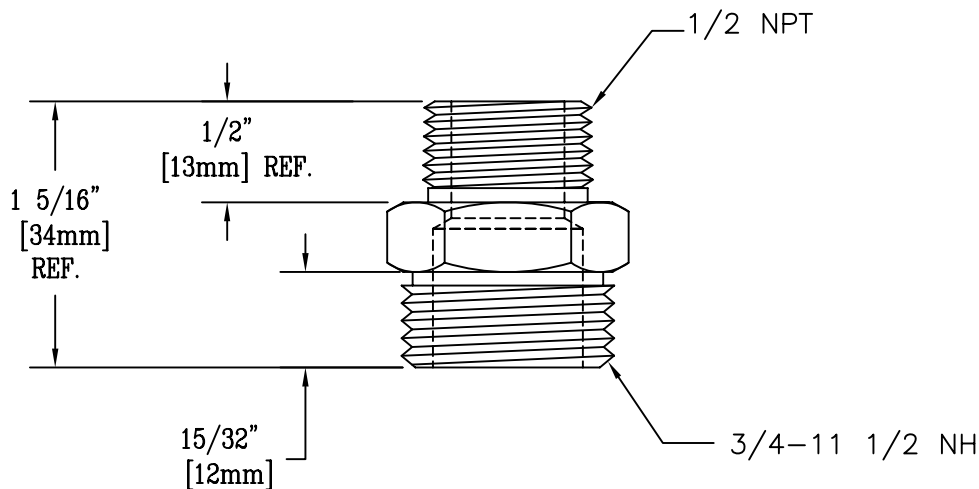
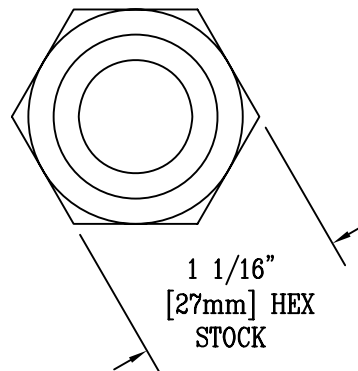
005224-25

RELIABILITY
BUILT IN

Job Name:

Architect/Engineer Approval:

Notes:



Finished: Chrome Plated

Product Description:
 Adapter, Chrome Plated
 1/2" NPT Male x 3/4"-11.5 NH Male Threads

Drawn: DHL	Checked MAV	Scale: 1 : 1
Approved JHB		Date: 4/10/08