



# T&S BRASS AND BRONZE WORKS, INC.

2 SADDLEBACK COVE / P.O. BOX 1088 / TRAVELERS REST, SC 29690  
PHONE 800-476-4103 FAX 864-834-3518



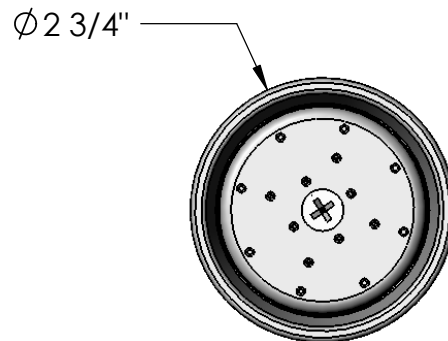
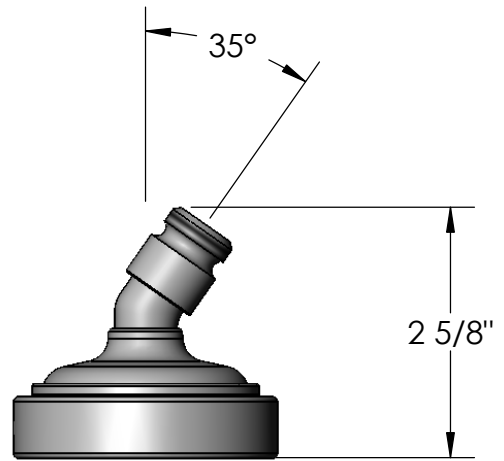
Model No. **005969-40**

Item No.

Job Name:

Architect/Engineer Approval:

Notes:



Product Description:

**Angle Spray Head Unit  
100A**

Drawn:

LEL

Checked:

JRM

Scale:

1:2

Approved:

LEL

Date:

07/19/05