



T&S BRASS AND BRONZE WORKS, INC.
 2 SADDLEBACK COVE / P.O. BOX 1088 / TRAVELERS REST, SC 29690
 PHONE 800-476-4103 FAX 864- 834-3518



Sales No.

009327-50

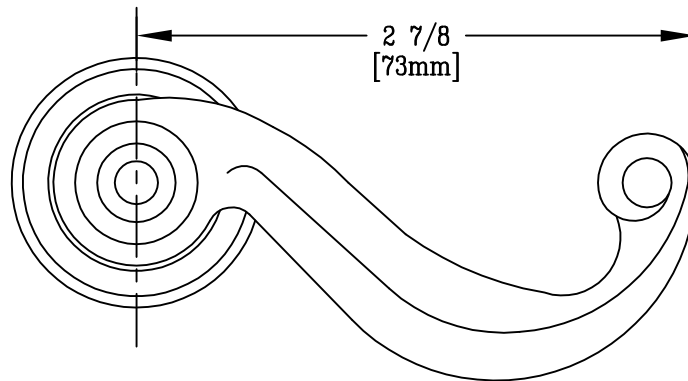
Item No.:

REG.#A2601
 ISO #9002

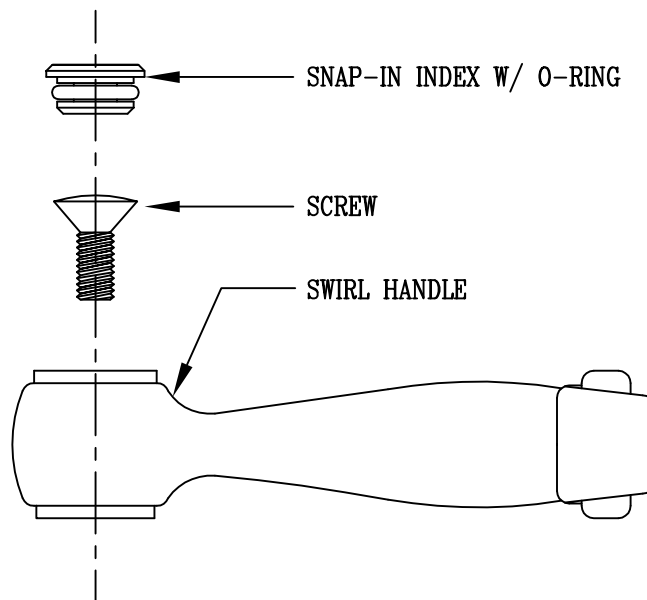
Job Name:

Architect/Engineer Approval:

Notes:



TOP VIEW



FRONT VIEW

Product Description:
 INSIGNIA COLLECTION ACCESSORIES:
 BRASSY GOLD SWIRL HANDLE ASSEMBLY

Drawn:

WJS

Checked

JKD

Scale:

1:1

Approved

MVW

Date:

2/17/98